

LG968 轮式装载机 零部件图册

LG968 WHEEL LOADER PARTS CATALOG



山东临工工程机械有限公司

SHANDONG LINGONG CONSTRUCTION MACHINERY CO., LTD.



LG968 轮式装载机 零部件图册
LG968 WHEEL LOADER PARTS CATALOG

2007年7月 第1版 第1次印刷

2007-07 Version1 Printed 1

山 东 临 工 工 程 机 械 有 限 公 司
SHANDONG LINGONG CONSTRUCTION MACHINERY CO., LTD

地址：中国·临沂经济开发区临工工业园

Add: Lingong Industry Park, Linyi Economic Development Zone, Shandong, china

电话：86-0539-8785688

Tel: 86-0539-8785617

传真：86-0539-8785671

Fax: 86-0539-8785618

技术服务：86-0539-8785800

Web: www.sdlg.cn

前言

LG968 型轮式装载机零部件图册，是为了便于用户在使用、维修和保养等工作中的方便而绘制的，以供在使用过程中查阅及参考，也可帮助用户了解本车的结构和装配关系。发动机另有专用的零部件图册，故本书未再绘出。

本图册按各总成及结构布局绘制出了各零部件的图形及相互装配关系。凡装机后不可拆卸的部件（焊接件、铆合件），一般只标出部件代号，不另列其组成零件，明细表采用中英文对照编排。

本图册按照配置为上柴发动机、定轴式变速箱、钳盘式制动桥、先导操纵的现行产品编绘，同类机型可以此为参照。随着科技的进步和生产水平的提高，产品将会不断改进，故本图册的内容将会有部分与以后的产品不一致，如有变动恕不通知，因此，敬请用户在定购零部件时，指明所购整车的出厂日期和编号。

编者

2007 年 7 月

FOREWORD

THIS PART LIST OF LG968 WHEEL LOADER IS INTENDED AS A CONSULTATION REFERENCE FOR THE USERS' USING THE MACHINE, AND TO HELP THEM REPAIR AND MAINTAIN THE LOADERS, IT CAN ALSO HELP THE USERS TO BE FAMILIAR WITH THE CONSTRUCTION AND ASSEMBLY RELATION OF THE MACHINE. THE ENGINE HAS ITS OWN PART LIST WITHIN IT. SO THIS BOOK DOES NOT CONTAIN THE ENGINE PART LIST.

THE PART LIST CONTAINS THE PART DRAWINGS OF DIFFERENT ASSEMBLIES, SHOWING THE SHAPE OF THE PARTS AS WELL AS THE ASSEMBLING RELATION. THE COMPONENTS WHICH CAN NOT BE TAKEN APART (LIKE THE WELDED OR RIVETED ASSEMBLIES) ARE INDICATED ONLY BY THEIR COMPONENT NUMBERS WITHOUT THE CONSISTING PART NUMBERS. THE NAME LIST SHOWS THE PART NUMBERS, PART NAMES, AS WELL AS QUANTITIES. ALTERATIONS IN DESIGN ARE NECESSARILY WITH THE TECHNICAL DEVELOPMENT, THEREFORE, SPECIFICATIONS ARE SUBJECT TO CHANGE WITHOUT NOTICE BEFORE THE LIST BEING REVISED, AND WHEN ORDERING SPARE PARTS. USERS ARE KINDLY REQUESTED TO INFORM THE MANUFACTURING DATE AND BATCH NUMBER OF THE WHEEL LOADER.

THE COMPILER

2007. 7

A. 发动机系统	
A. DIESEL ENGINE SYSTEM	
A1 发动机系统	(1)
A1 DIESEL ENGINE SYSTEM.....	(2)
A2 油门操纵机构	(3)
A2 GOVERNOR CONTROL SYSTEM	(4)
A3 散热器总成	(5)
A3 RADIATOR ASS'Y	(6)
B. 变速箱系统	
B. TRANSMISSION SYSTEM	
B1 变速箱系统	(7)
B1 TRANSMISSION SYSTEM	(8)
C. 驱动桥系统	
C. AXLE SYSTEM	
C1 驱动桥系统	(9)
C1 AXLE ASSEMBLY	(10)
C2 前桥壳总成.....	(11)
C2 FRONT AXLE ASSEMBLY.....	(12)
C3 前主传动总成.....	(13)
C3 FRONT AXLE ASSEMBLY	(14)
C4 后桥壳总成.....	(15)
C4 REAR AXLE ASSEMBLY.....	(16)
C5 后主传动总成.....	(17)
C5 REAR AXLE ASSEMBLY	(18)
C5 后主传动总成.....	(19)
C5 REAR AXLE ASSEMBLY	(20)
C6 轮边减速器总成	(21)
C6 FINAL DRIVE ASSEMBLY.....	(22)
C7 轮胎轮辋总成	(23)
C7 RIM AND TYRE ASSEMBLY	(24)
D. 工作装置液压系统	
D. IMPLEMENT HYDRAULIC SYSTEM	
D1 工作泵总成	(25)
D1 WORKING PUMP ASSEMBLY.....	(26)
D2 液压操纵总成	(27)
D2 HYDRAULICALLY CONTROLLED ASSEMBLY.....	(28)
D2 液压操纵总成	(29)
D2 HYDRAULICALLY CONTROLLED ASSEMBLY.....	(30)
D3 举升缸总成.....	(31)
D3 LIFTING CYLINDER ASSEMBLY.....	(32)
D4 转斗缸总成.....	(33)
D4 DUMP CYLINDER ASSEMBLY.....	(34)
D5 工作齿轮泵	(35)
D5 WORKING GEAR PUMP.....	(36)
D6 转斗油缸	(37)

D6 DUMP CYLINDER	(38)
D7 动臂油缸	(39)
D7 LIFT ARM CYLINDER	(40)
D8 多路阀.....	(41)
D8 MULTIPLE DIRECTIONAL CONTROL VALVE	(42)
D9 双联泵.....	(43)
D9 TANDEM GEAR PUMP.....	(44)
D10 先导阀总成.....	(45)
D10 PRIORITY VALVE	(46)
E. 油箱	
E. TANK	
E1 燃油箱总成	(47)
E1 FUEL TANK ASSEMBLY	(48)
E2 液压油箱总成.....	(49)
E2 HYDRAULIC TANK ASSEMBLY	(50)
F. 工作装置	
F. WORKING EQUIPMENT	
F1 工作装置	(51)
F1 WORKING EQUIPMENT	(52)
F2 铲斗总成	(53)
F2 BUCKET ASSEMBLY	(54)
G. 转向系统	
G. STEERING SYSTEM	
G1 转向泵总成.....	(55)
G1 STEERING PUMP ASSEMBLY	(56)
G1 转向器总成.....	(57)
G1 STEERING GEAR ASSEMBLY.....	(58)
G1 转向缸总成.....	(59)
G1 STEERING CYLINDER ASSEMBLY.....	(60)
G2 转向器	(61)
G2 STEERING GEAR	(62)
G3 转向油缸	(63)
G3 STEERING CYLINDER	(64)
H. 制动系统	
H. BRAKE SYSTEM	
H1 行车制动系统.....	(65)
H1 SERVICE BRAKE SYSTEM	(66)
H2 盘式制动器	(67)
H2 DISC BRAKE.....	(68)
H3 储气罐、制动阀、油水分离器.....	(69)
H3 AIR RESERVOIR、BRAKE CONTROL VALVE、AIR DRYER.....	(70)
H4 加力泵总成	(71)
H4 BRAKE BOOSTER	(72)
H5 驻车制动系统.....	(73)
H5 PARKING BRAKE SYSTEM	(74)

I. 车架	
I. FRAME	
I1 前车架总成	(75)
I1 FRONT FRAME	(76)
I2 后车架总成.....	(77)
I2 REAR FRAME.....	(78)
I3 配重铁总成.....	(79)
I3 COUNTER WEIGHT.....	(80)
J. 驾驶室	
J. CAB GROUP	
J1 驾驶室总成.....	(81)
J1 CAB GROUP	(82)
J2 驾驶室内饰	(83)
J2 CAB INTERIOR DECORATION	(84)
J3 座椅支架总成.....	(85)
J3 SEAT ASSEMBLY	(86)
K. 覆盖件系统	
K. COVER SYSTEM	
K1 发动机罩总成	(87)
K1 HOOD OF DIESEL ENGINE ASSEMBLY.....	(88)
K2 左台架总成	(89)
K2 LEFT BENCH GROUP	(90)
K3 右台架总成	(91)
K3 RIGHT BENCH GROUP	(92)
K4 左、右灯架.....	(93)
K4 LEFT RIGHT LAMP FRAME.....	(94)
K5 左右前挡泥瓦	(95)
K5 LEFT RIGHT FRANT RENDER.....	(96)
L. 空调系统	
L. AIR CONDITIONER SYSTEM	
L1 空调系统.....	(97)
L1 AIR CONDITIONER SYSTEM.....	(98)
M. 电气系统	
M. ELECTRIC SYSTEM	
M1 电气系统.....	(99)
M1 ELECTRIC SYSTEM	(100)

A 发动机系统

DIESEL ENGINE SYSTEM

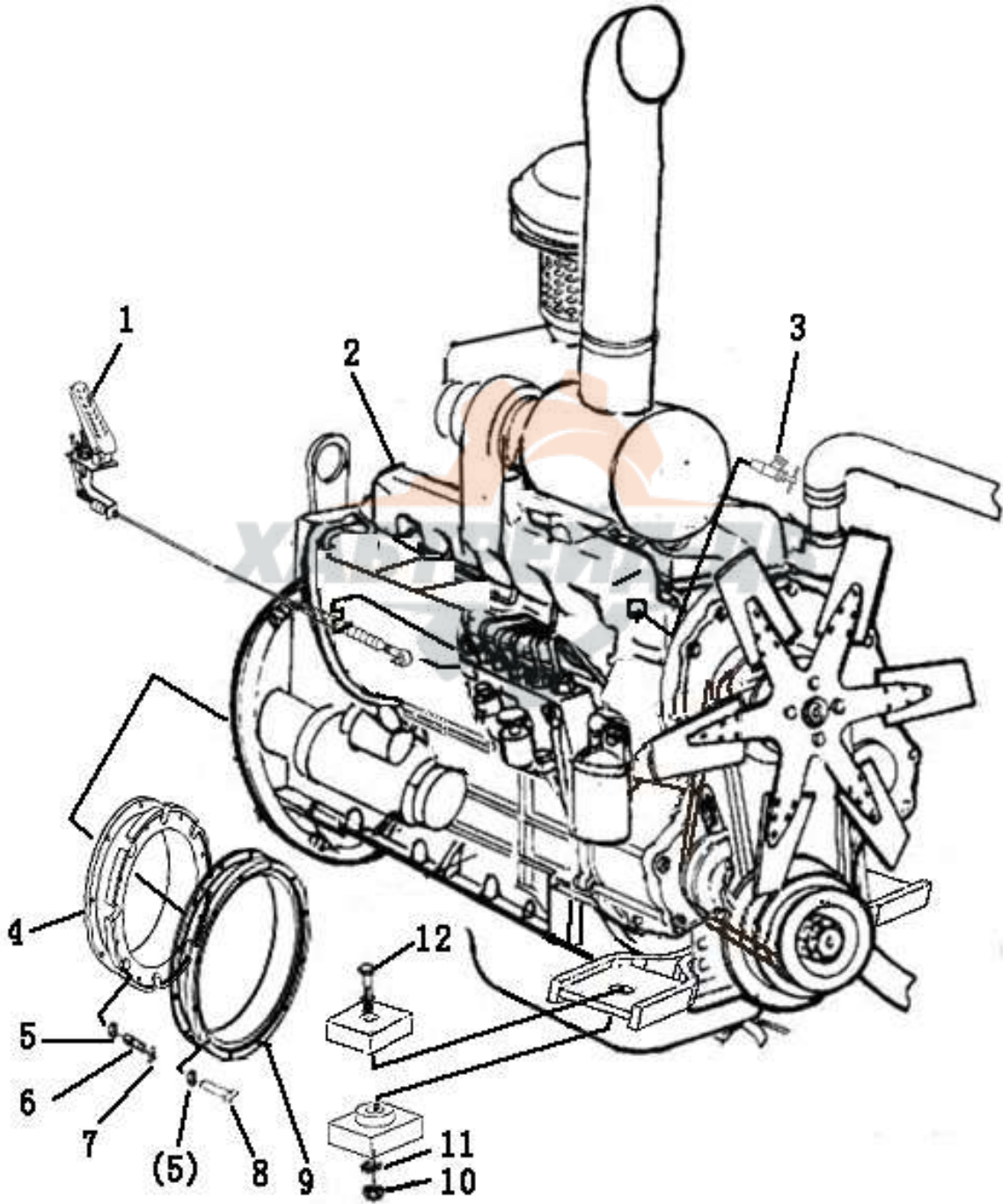


山东临工工程机械有限公司
SHANDONG LINGONG CONSTRUCTION MACHINERY LTD.

A1

发动机系统

DIESEL ENGINE SYSTEM

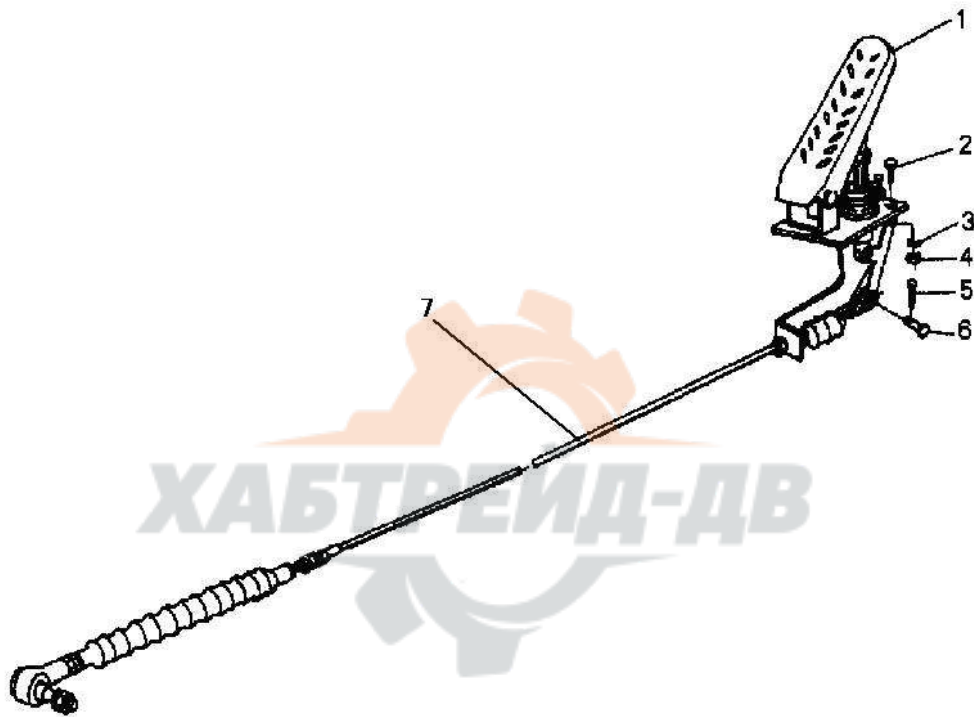


A1

序号	代号	名称		数量	备注
KEY	PART NO.	DESCRIPTION		QTY	REMARKS
1	2901000752	油门操纵机构	GOVERNOR CONTROL SYSTEM	1	
2	4190000536	发动机总成 C6121ZG20(C6ZG20e)	DISESEL ENGINE SYSTEM C6121ZG20 (C6ZG20e)	1	
3	4120000067	暖风机水阀 LG12-NFJSF	VALVE OF WATER LG12-NFJSF	2	
4	2901001206	飞轮过渡	FLY WHEEL TRANSITION	1	
5	4015000025	垫圈 GB93-10-65Mn	WASHER GB93-10-65Mn	28	
6	4012000021	螺柱 GB899-AM10*1-M10*35-8.8	DOUBLE END GB899-AM10*1-M10*35-8.8	BOLT 8	
7	4013000007	螺母 GB6170-M10EpZn-8	NUT GB6170-M10EpZn-8	16	
8	4011000085	螺栓 GB5783-M10*35EpZn-8.8	BOLT GB5783-M10*35EpZn-8.8	12	
9	2901001207	飞轮壳过渡	FLY WHEEL COVER TRANSITION	1	
10	4013000021	螺母 GB6170-M24EpZn-8	NUT GB6170-M24EpZn-8	2	
11	4015000167	垫圈 GB97.1-24EpZn-300HV	WASHER GB97.1-24EpZn-300HV	2	
12	4011000387	螺栓 GB5782-M24*130EpZn-8.8	BOLT GB5782-M24*130EpZn-8.8	2	

A2

油门操纵机构 GOVERNOR CONTROL SYSTEM



A2

序号	代号	名称	数量	备注
----	----	----	----	----

KEY	PART NO.	DESCRIPTION	QTY	REMARKS
-----	----------	-------------	-----	---------

1	4120000096	油门踏板 ZY75-00	ACCELERATOR PEDAL ZY75-00	1
---	------------	--------------	---------------------------	---

2	4011000101	螺栓 GB5783-M6*20EpZn-8.8	BLOT GB5783-M6*20EpZn-8.8	3
---	------------	-------------------------	---------------------------	---

3	4015000035	垫圈 GB93-6-65Mn	WASHER GB93-6-65Mn	3
---	------------	----------------	--------------------	---

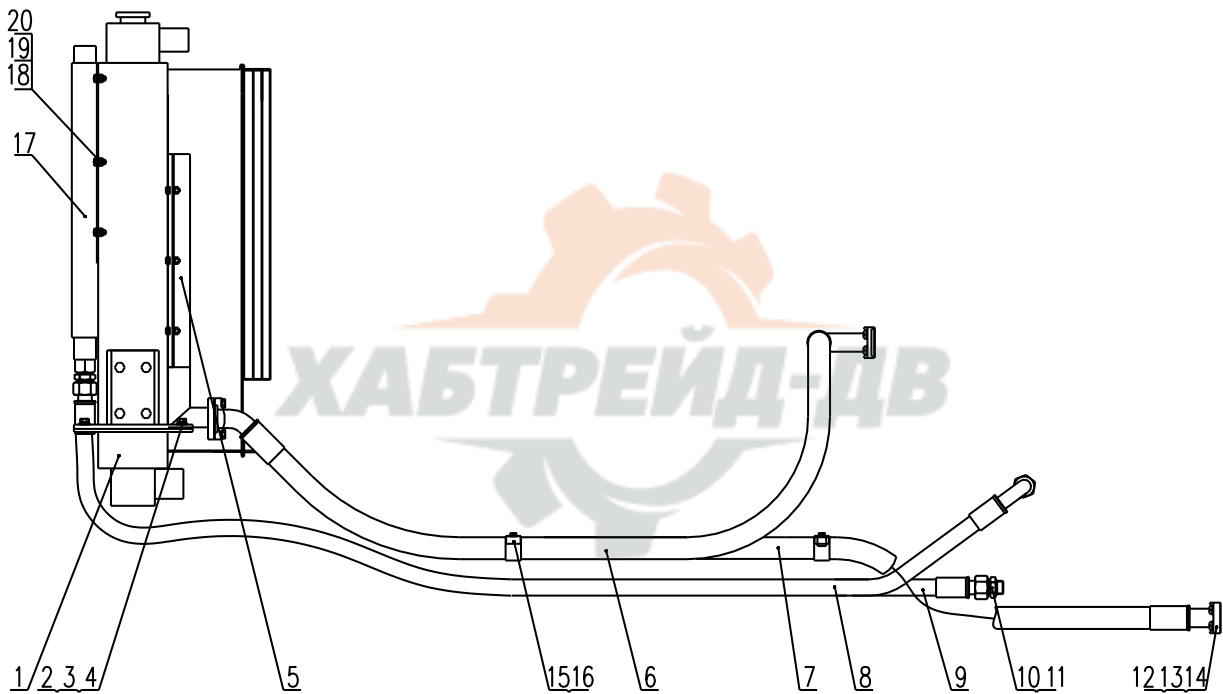
4	4013000028	螺母 GB6170-M6EpZn-8	NUT GB6170-M6EpZn-8	3
---	------------	--------------------	---------------------	---

5	4016000100	开口销 GB91-2*20EpZn-Q235A	SPLINT GB91-2*20EpZn-Q235A	PIN 1
---	------------	-------------------------	----------------------------	-------

6	4016000138	销轴 GB882-B6*22EpZn-35	PIN GB882-B6*22EpZn-35	1
---	------------	-----------------------	------------------------	---

7	2901000755	操纵软轴	CABLE SHAFT	2
---	------------	------	-------------	---

散热器总成 RADIATOR ASS' Y



A3

序号	代号	名称		数量	备注
KEY	PART NO.	DESCRIPTION		QTY	REMARKS
1	4110000341	散热器总成	RADIATOR ASS'Y	1	
2	4011000092	螺栓 GB5783-M12*50EpZn-8.8	BOLT GB5783-M12*50EpZn-8.8	4	
3	4015000026	垫圈 GB93-12-65Mn	WASHER GB93-12-65Mn	4	
4	4015000168	垫圈 GB97.1-12EpZn-300HV	WASHER GB97.1-12EpZn-300HV	4	
5	4120000597	液压油散热器 B1294	HYDRAULIC OIL RADIATOR B1294	1	
6	2903000002	散热器回油胶管	OIL RETURN PIPE OF RADIATOR	1	
7	4041000058	软管 LGB161-014243	TUBE LGB161-014243	1	
8	2903000753	变速箱至冷却器油管	OIL TUBE FROM TRANSMISSION TO COOLER	1	
9	2903000752	冷却器至变速箱油管	OIL TUBE FROM COOLER TO TRANSMISSION	1	
10	2903000827	接头体	JOINT	1	
11	4015000073	垫圈 JB1002-30-T2	WASHER JB1002-30-T2	4	
12	4011000479	螺栓 GB16674-M12*30EpZn-8.8	BOLT GB16674-M12*30EpZn-8.8	16	
13	4030000130	O形圈 GB3452.1-47.5*3.55G	O-RING GB3452.1-47.5*3.55G	4	
14	4041000011	分体法兰 LGB117-314650	FLANGE LGB117-314650	4	
15	4011000458	螺栓 GB16674-M8*20EpZn-8.8	BOLT GB16674-M8*20EpZn-8.8	2	
16	2903000004	管夹	CLAMP	2	
17	4120001445	传动油散热器 LG958	SHAFTING OIL RADIATOR LG958	1	
18	4011000081	螺栓 GB5783-M10*20EpZn-8.8	BOLT GB5783-M10*20EpZn-8.8	6	
19	4015000162	垫圈 GB97.1-10EpZn-300HV	WASHER GB97.1-10EpZn-300HV	6	
20	4013000007	螺母 GB6170-M10EpZn-8	NUT GB6170-M10EpZn-8	6	



B 变速箱系统

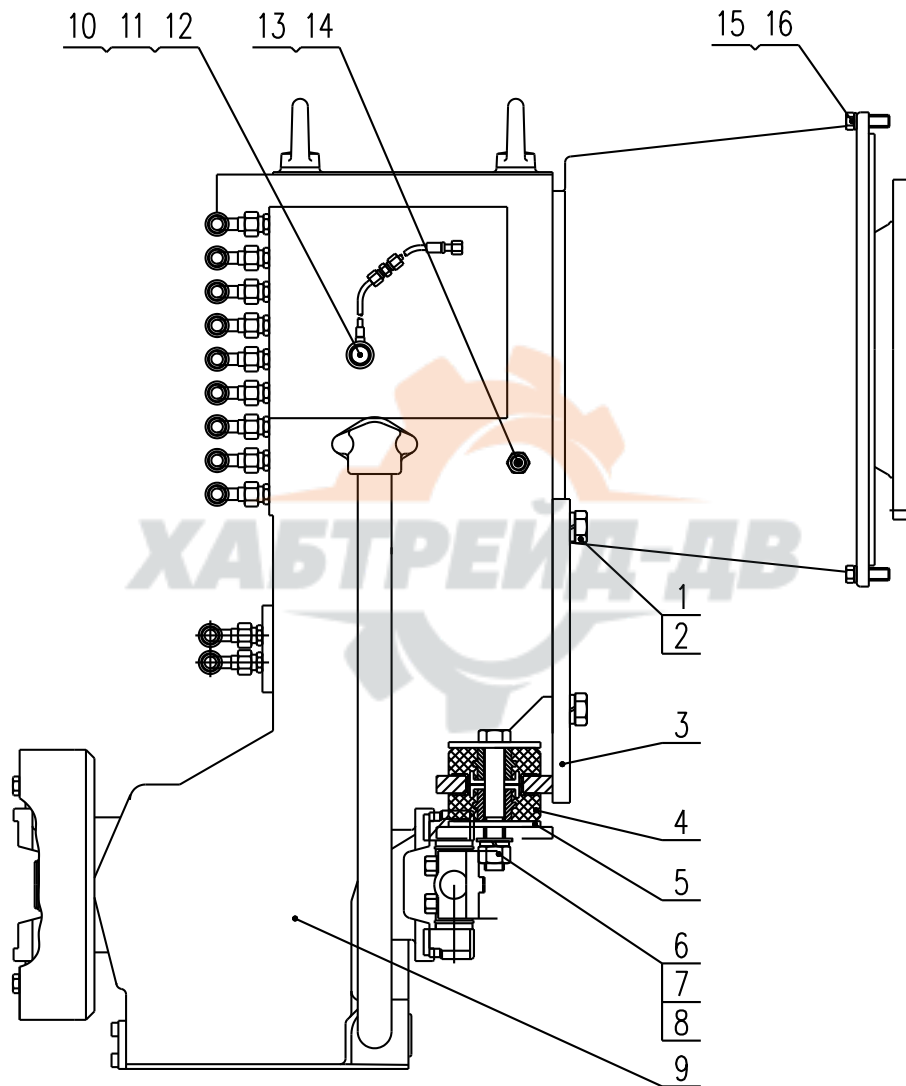
TRANSMISSION SYSTEM



山东临工工程机械有限公司
SHANDONG LINGONG CONSTRUCTION MACHINERY LTD.

B1

散热器总成 RADIATOR ASS' Y



B1

序号	代号	名称		数量	备注
KEY	PART NO.	DESCRIPTION		QTY	REMARKS
1	4011000273	螺栓 GB5783-M20*50EpZn-8.8	BOLT GB5783-M20*50EpZn-8.8	4	
2	4015000030	垫圈 GB93-20-65Mn	WASHER GB93-20-65Mn	6	
3	2905000753	连接座	CONNECTING SEAT	1	
4	2905000010	减震块	SHOCK MOUNT	4	
5	2905000012	垫圈	WASHER	4	
6	4011000236	螺栓 GB5782-M20*130EpZn-8.8	BOLT GB5782-M20*130EpZn-8.8	2	
7	4015000176	垫圈 GB97.1-20EpZn-300HV	WASHER GB97.1-20EpZn-300HV	2	
8	4013000086	螺母 GB6170-M20EpZn-10	NUT GB6170-M20EpZn-10	2	
9	4110000042	变速箱总成 4WG200	TRANSMISSION ASSEMBLY 4WG200	1	
10	2905000759	测压油管	PIEZOMETRIC OIL PIPE	1	
11	4011000306	螺栓 JB999-M10*1*28EpZn-35	BOLT JB999-M10*1*28EpZn-35	1	
12	4015000140	垫圈 JB982-10	WASHER JB982-10	2	
13	4011000085	螺栓 GB5783-M10*35EpZn-8.8	BOLT GB5783-M10*35EpZn-8.8	12	
14	4015000025	垫圈 GB93-10-65Mn	WASHER GB93-10-65Mn	12	
15	2905000760	变矩器油温表接头	OIL TEMPERATURE METER JOINT	1	
16	4015000231	垫圈 JB6013-14-T2	WASHER JB6013-14-T2	1	

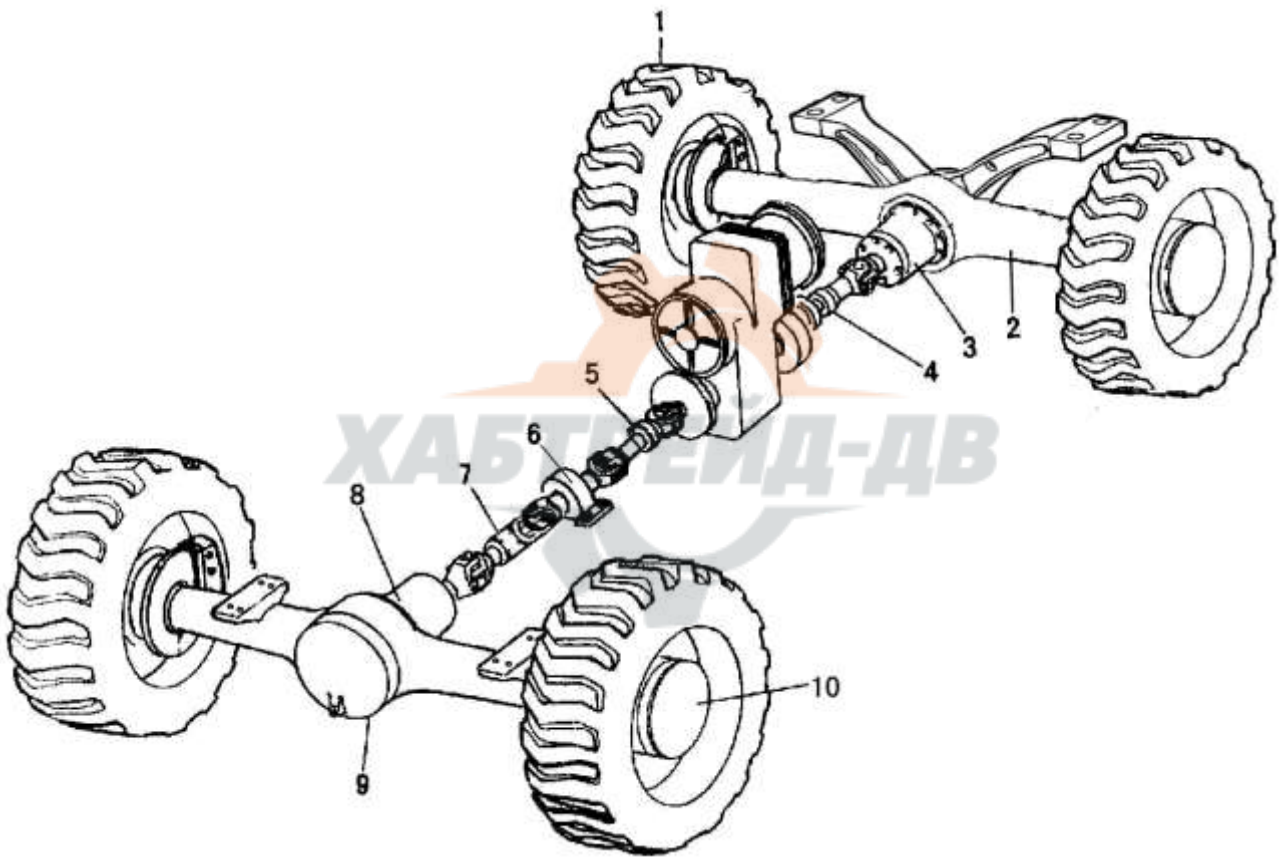
C 驱动桥系统 AXLE SYSTEM



山东临工工程机械有限公司
SHANDONG LINGONG CONSTRUCTION MACHINERY LTD.

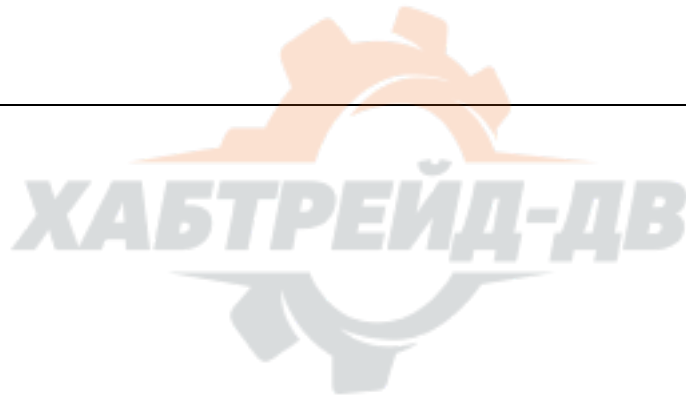
C1

驱动桥系统 AXLE SYSTEM

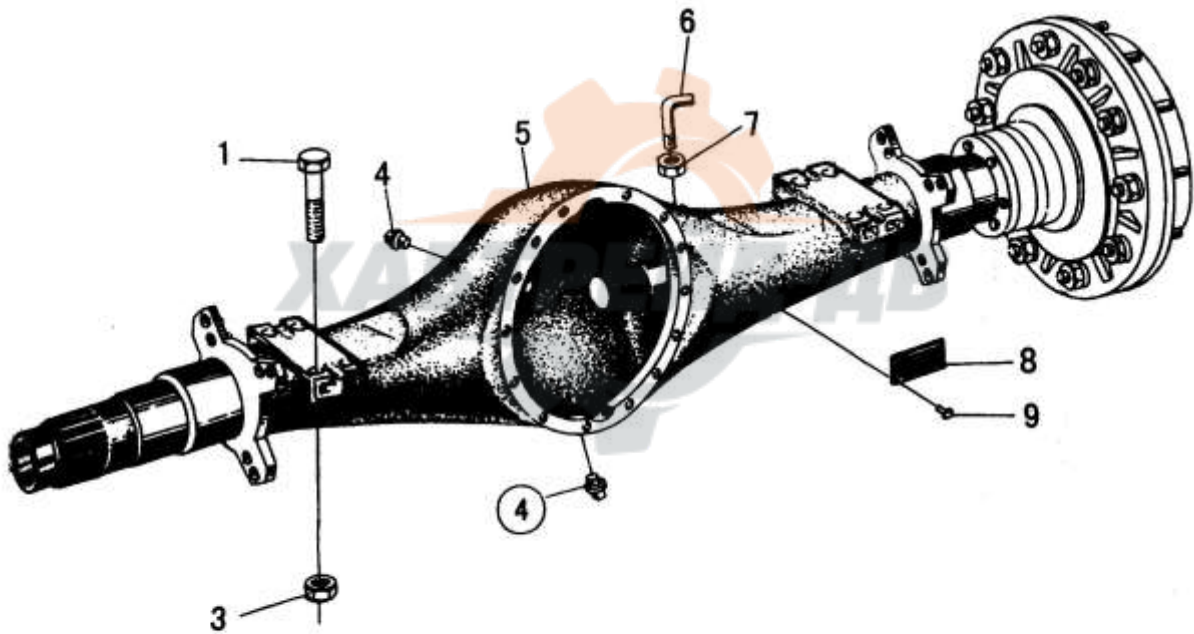


C1

序号	代号	名称		数量	备注
KEY	PART NO.	DESCRIPTION		QTY	REMARKS
1	4110000006	轮胎 GB2980-23.5-25	TIRE ASSY	4	
2	2909000004	后桥壳总成	REAR AXLE ASSEMBLY	1	
3	2909000003	后主传动	REAR AXLE MAIN DRIVE	1	
4	4110000199	后传动轴	REAR DRIVING SHAFT	1	
5	4110000198	中间传动轴	MIDDLE MOTION SHAFT	1	
6	2908000003	中间支承	HOLDER	1	
7	4110000197	前传动轴	FRONT DRIVING SHAFT	1	
8	2907000006	前主传动	FRONT AXLE MAIN DRIVE	1	
9	2907000004	前桥壳总成	FRONT AXLE ASSEMBLY	1	
10	4190000237	轮辋	WHEEL FELLONE	4	



前桥壳总成 FRONT AXLE ASSEMBLY



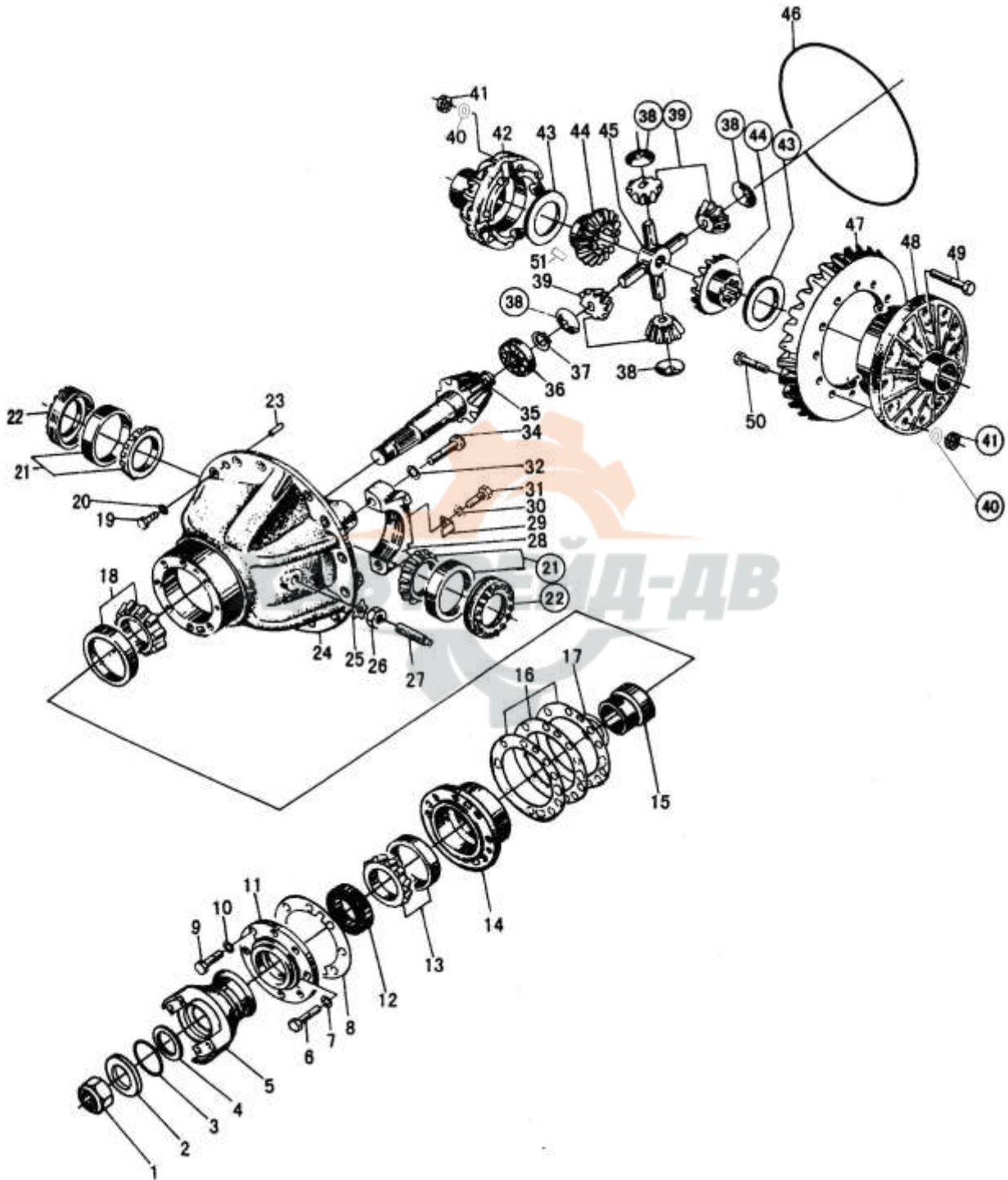
C2

序号	代号	名称		数量	备注
KEY	PART NO.	DESCRIPTION		QTY	REMARKS
1	2907000011	螺栓	BOLT	8	
2					
3	4013000064	螺母 GB889. 2-M30*2-8	LOCKING NUT GB889. 2-M30*2-8	8	
4	4120000080	螺塞 Q/ZB286-ZG3/4"-Q235A	PLUG Q/ZB286-ZG3/4"-Q235A	2	
5	2907000004	前桥壳总称	FRONT AXLE HOUSING	1	
6	2907000005	透气管	BREATHER PIPE	1	
7	4013000078	螺母 GB6173-M10*1EpZn-05	NUT GB6173-M10*1EpZn-05	1	
8	4044000001	标牌 LGB402-D-A501	FRONT AXLE BRAND	1	
9	4019000012	铆钉 GB827-3*5-BL2	RIVET	4	



前主传动总成

FRONT AXLE MAIN DRIVE ASS'Y

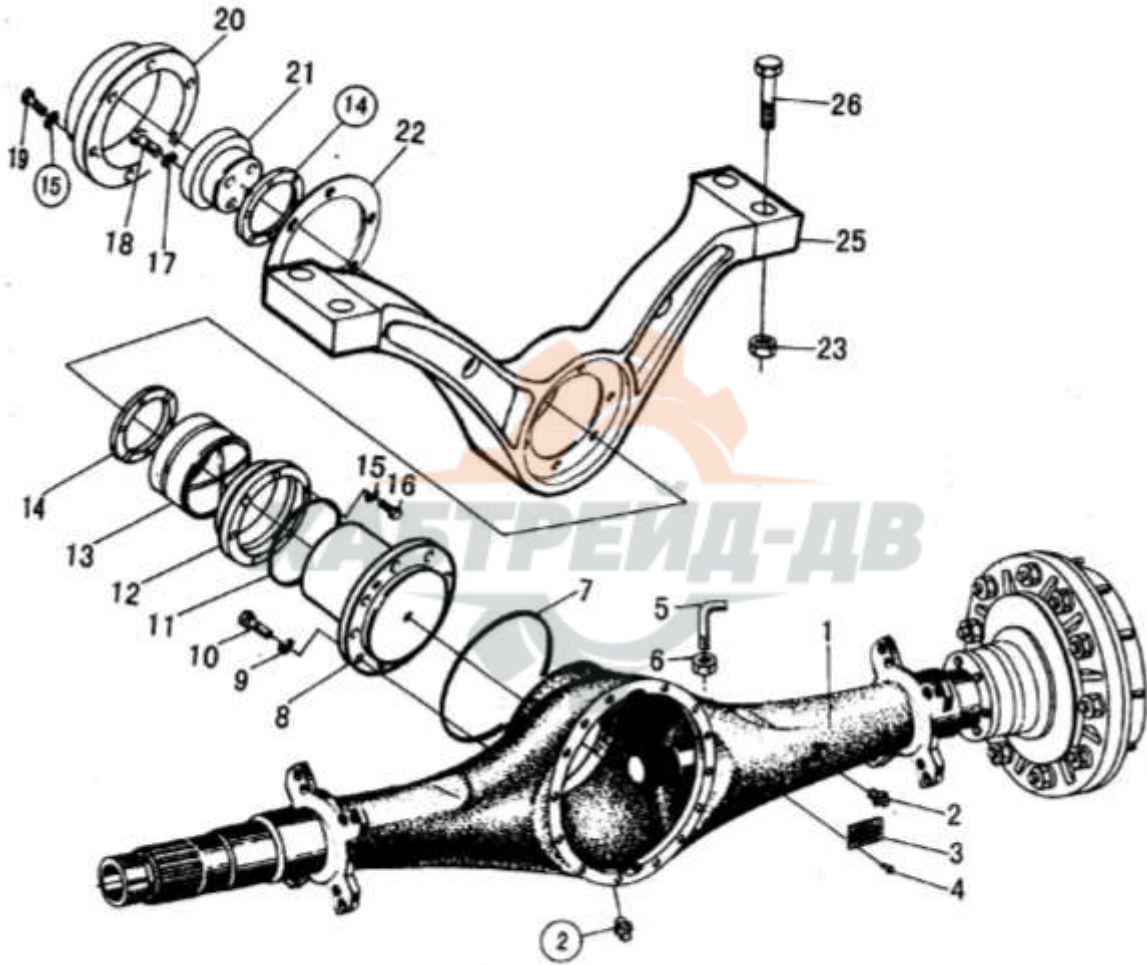


序号	代号	名称	数量	备注
KEY	PART NO.	DESCRIPTION	QTY	REMARKS
1	4013000066	螺母 GB889. 2-M33*1. 5-8	NUT GB889. 2-M33*1. 5-8	1
2	2907000022	垫圈	WASHER	1
3	4030000035	O 形圈 GB3452. 1-53*5. 30G	O-RING	1
4	2907000024	挡圈	RING SNAP	1
5	2907000023	输入法兰	INPUT FLANGE	1
6	4011000067	螺栓 GB5782-M14*55EpZn-8. 8	BOLT GB5782-M14*55EpZn-8. 8	7
7	4015000027	垫圈 GB93-14-65Mn	WASHER GB93-14-65Mn	7
8	2907000026	密封垫	GASKET	1
9	4011000186	螺栓 GB5782-M12*55EpZn-8. 8	BOLT GB5782-M12*55EpZn-8. 8	1
10	4015000026	垫圈 GB93-12-65Mn	WASHER GB93-12-65Mn	1
11	2907000025	密封盖	SEALING COVER	1
12	4030000049	油封 HG4-692-SG80*100*12	OIL SEAL HG4-692-SG80*100*12	1
13	4021000030	滚动轴承 GB297-31313	BEARING GB297-31313	1
14	2907000027	轴承座	BEARING SEAT	1
15	2907000028	轴套	SHAFT SLEEVE	1
16	2907000015	调整垫片	ADJUSTING SHIM	3
16	2907000016	调整垫片	ADJUSTING SHIM	4
16	2907000017	调整垫片	ADJUSTING SHIM	5
17	2907000018	垫片	SPACER	2
17	2907000019	垫片	SPACER	2
17	2907000020	垫片	SPACER	3
17	2907000021	垫片	SPACER	3
18	4021000032	滚动轴承 GB297-31314	BEARING GB297-31314	1
19	4011000494	螺栓 GB5786-M16*1. 5*45EpZn-8. 8	BOLT M16*1. 5*45EpZn-8. 8	14
20	4015000098	垫圈 GB93-16-65Mn	WASHER GB93-16-65Mn	14
21	4021000036	滚动轴承 GB297-32216	BEARING GB297-32216	2
22	2907000035	调整螺母	ADJUSTING NUT	2
23	4016000124	销 GB119. 2-10u8*30	PIN GB119. 2-10u8*30	2
24	2907000032	托架	CARRIER	1
25	2907000031	锁紧片	LOCKING LEAF	1
26	4013000052	螺母 GB6173-M27*2-05	NUT GB6173-M27*2-05	1
27	2907000030	止推螺栓	BOLT	1
28	2907000039	轴承座	CAGE	2
29	2907000040	锁紧片	LOCKING LEAF	2
30	4015000025	垫圈 GB93-10-65Mn	WASHER GB93-10-65Mn	2
31	4011000597	螺栓 GB5786-M10*1*20EpZn-8. 8	BOLT GB5786-M10*1*20EpZn-8. 8	2
32	2907000130	垫圈	WASHER	4
33				
34	2907000952	螺栓	BOLT	4
35	2907000029	主动螺旋伞齿轮 (左)	SPIRAL BEVEL GEAR PINION (LEFT)	1
36	4021000027	滚动轴承 GB283-NUP2307	BEARING GB283-NUP2307	1
37	4015000020	挡圈 GB894. 1-35-65Mn	RING SNAP GB894. 1-35-65Mn	1
38	2907000033	锥齿轮垫片	WASHER THRUST	4
39	2907000034	锥齿轮	GEAR PINION	4
40	2907000951	垫圈	WASHER	20
41	4013000198	螺母 GB6176-M16*1. 5-10	NUT GB6176-M16*1. 5-10	20
42	2907000043	差速器左壳	LEFT CASE DIFF	1
43	2907000038	半轴齿轮垫片	WASHER THRUST	2
44	2907000037	半轴齿轮	GEAR SIDE	2
45	2907000041	十字轴	SPIDER	1
46	4041000019	O 形圈 LGB308-430*3. 5	O-RING LGB308-430*3. 5	1
47	2907000045	从动螺旋伞齿轮 (右)	LARGE SPIRAL BEVELGEAR (RIGHT)	1
48	2907000036	差速器右壳	RIGHT CASE DIFF	1
49	2907000949	螺栓	BOLT	8
50	2907000950	螺栓	BOLT	12
51	2907000046	固定销	PIN	4

C4

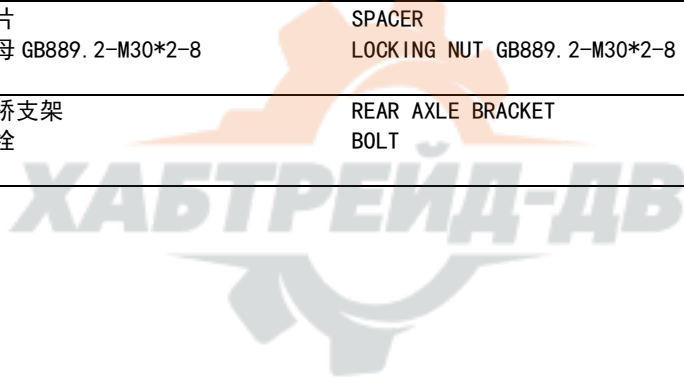
后桥壳总成

REAR AXLE ASSEMBLY



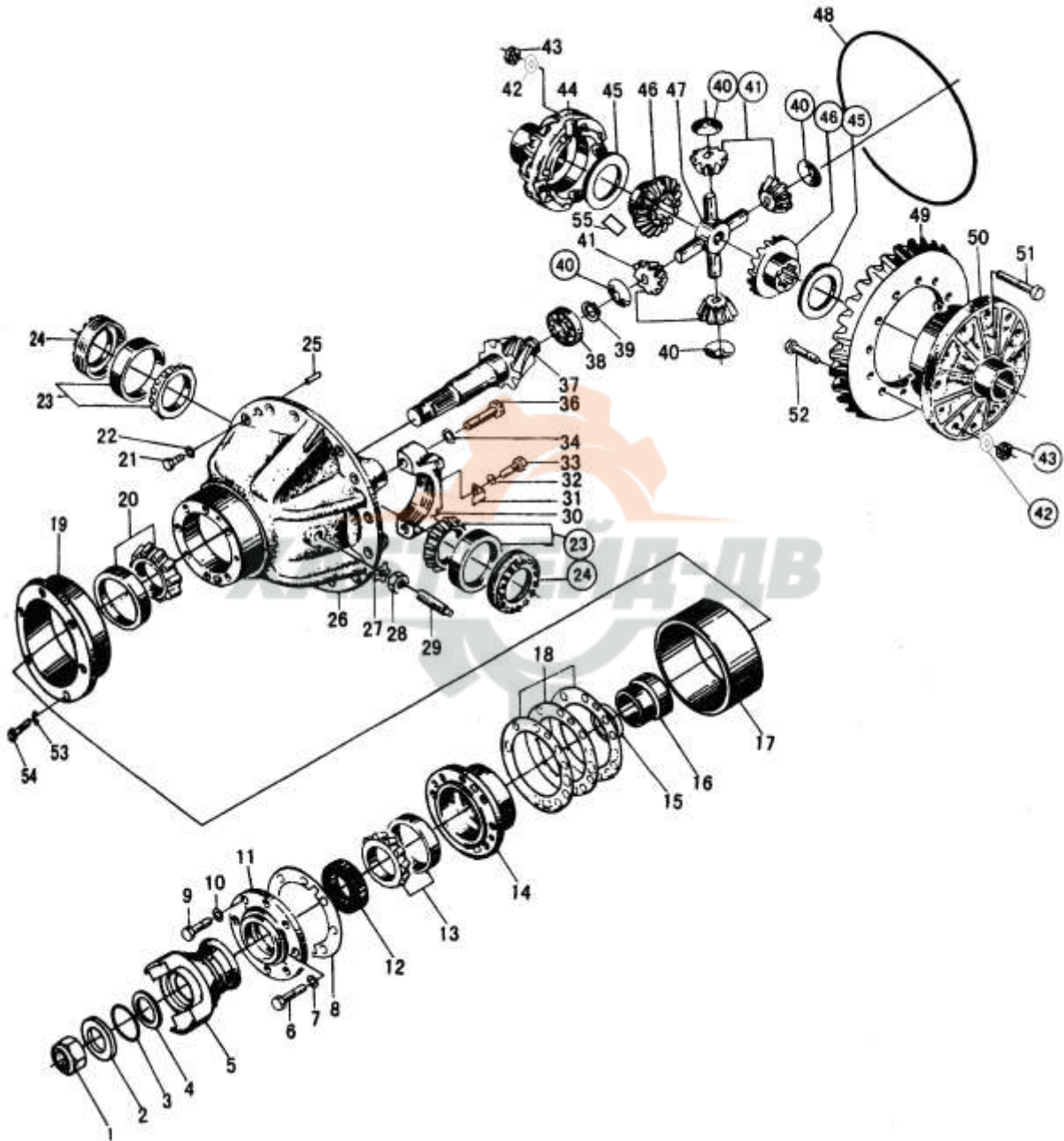
C4

序号	代号	名称		数量	备注
KEY	PART NO.	DESCRIPTION		QTY	REMARKS
1	2909000004	后桥壳总称	AXLE HOUSING	1	
2	4120000080	螺塞 Q/ZB286-ZG3/4"-Q235A	PLUG Q/ZB286-ZG3/4"-Q235A	2	
3	4044000003	标牌 LGB402-E-A501	BRAND LGB402-E-A501	1	
4	4019000012	铆钉 GB827-3*5-BL2	RIVET	4	
5	2907000005	透气管	BREATHER PIPE	1	
6	4013000078	螺母 GB6173-M10*1EpZn-05	NUT GB6173-M10*1EpZn-05	1	
7	4041000021	O 形圈 LGB308-260*3.5	O-RING LGB308-260*3.5	1	
8	2909000015	支承轴	SHAFT	1	
9	4015000098	垫圈 GB93-16-65Mn	WASHER GB93-16-65Mn	22	
10	4011000244	螺栓 GB5786-M16*1.5*50EpZn-8.8	BOLT GB5786-M16*1.5*50EpZn-8.8	22	
11	4030000021	O 形圈 GB3452.1-160*5.30G	O-RING GB3452.1-160*5.30G	1	
12	2909000010	密封盖	SEALING COVER	1	
13	2909000011	轴套	BUSHING	1	
14	2909000012	衬垫	BUSHING	2	
15	4015000026	垫圈 GB93-12-65Mn	WASHER GB93-12-65Mn	13	
16	4011000090	螺栓 GB5783-M12*35EpZn-8.8	BOLT GB5783-M12*35EpZn-8.8	6	
17	4015000030	垫圈 GB93-20-65Mn	WASHER GB93-20-65Mn	4	
18	4011000113	螺栓 GB5785-M20*1.5*90EpZn-8.8	BOLT GB5785-M20*1.5*90EpZn-8.8	4	
19	4011000064	螺栓 GB5782-M12*50EpZn-8.8	BOLT GB5782-M12*50EpZn-8.8	6	
20	2909000014	端盖	COVER	1	
21	2909000013	垫块	SPACER	1	
22	2909000016	垫片	SPACER	1	
23	4013000064	螺母 GB889.2-M30*2-8	LOCKING NUT GB889.2-M30*2-8	4	
24					
25	2909000009	后桥支架	REAR AXLE BRACKET	1	
26	2907000798	螺栓	BOLT	4	



后主传动总成

REAR AXLE MAIN DRIVE ASS'Y

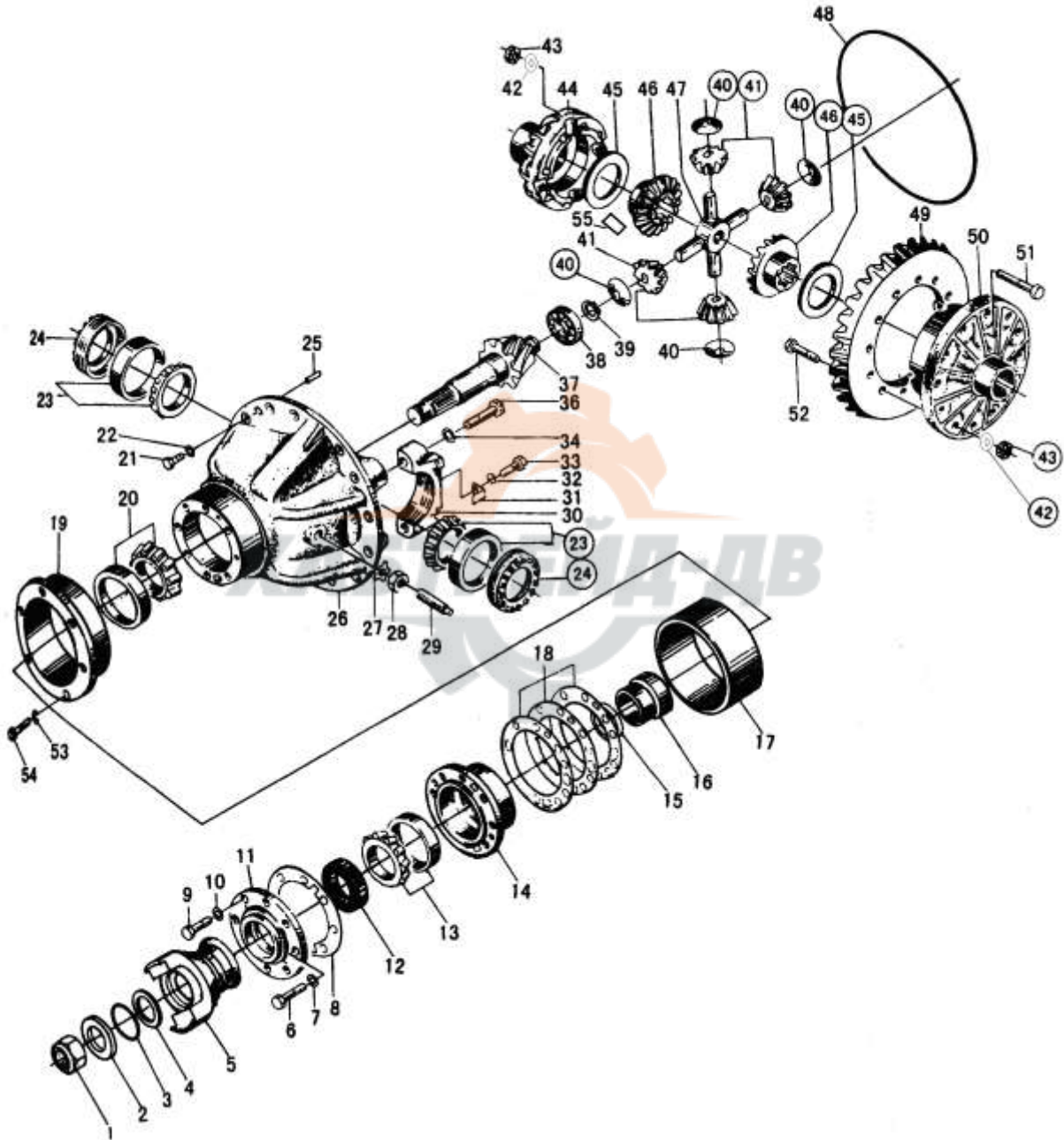


C5

序号	代号	名称	数量	备注
KEY	PART NO.	DESCRIPTION	QTY	REMARKS
1	4013000066	螺母 GB889. 2-M33*1. 5-8	1	
2	2907000022	垫圈	1	
3	4030000035	O 形圈 GB3452. 1-53*5. 30G	1	
4	2907000024	挡圈	1	
5	2907000023	输入法兰	1	
6	4011000067	螺栓 GB5782-M14*55EpZn-8. 8	7	
7	4015000027	垫圈 GB93-14-65Mn	7	
8	2907000026	密封垫	1	
9	4011000186	螺栓 GB5782-M12*55EpZn-8. 8	1	
10	4015000026	垫圈 GB93-12-65Mn	1	
11	2907000025	密封盖	1	
12	4030000049	油封 HG4-692-SG80*100*12	1	
13	4021000030	滚动轴承 GB297-31313	1	
14	2907000027	轴承座	1	
15	2907000018	垫片	2	选装
15	2907000019	垫片	2	选装
15	2907000020	垫片	3	选装
15	2907000021	垫片	3	选装
16	2907000028	轴套	1	
17	2909000005	套	1	
18	2907000015	调整垫片	3	选装
18	2907000016	调整垫片	4	选装
18	2907000017	调整垫片	5	选装
19	2909000006	衬套	1	
20	4021000032	滚动轴承 GB297-31314	1	
21	4011000494	螺栓 GB5786-M16*1. 5*45EpZn-8. 8	14	
22	4015000098	垫圈 GB93-16-65Mn	14	
23	4021000036	滚动轴承 GB297-32216	2	
24	2907000035	调整螺母	2	
25	4016000124	销 GB119. 2-10u8*30	2	
26	2907000032	托架	1	
27	2907000031	锁紧片	1	
28	4013000052	螺母 GB6173-M27*2-05	1	
29	2907000030	止推螺栓	1	
30	2907000039	轴承座	2	
31	2907000040	锁紧片	2	
32	4015000025	垫圈 GB93-10-65Mn	2	
33	4011000597	螺栓 GB5786-M10*1*20EpZn-8. 8	2	
34	2907000130	垫圈	4	
35				
36	2907000952	螺栓	4	
37	2909000007	主动螺旋伞齿轮 (右)	1	
38	4021000027	滚动轴承 GB283-NUP2307	1	
39	4015000020	挡圈 GB894. 1-35-65Mn	1	
40	2907000033	锥齿轮垫片	4	
41	2907000034	锥齿轮	4	
42	2907000951	垫圈	20	
43	4013000198	螺母 GB6176-M16*1. 5-10	20	
44	2907000043	差速器左壳	1	
45	2907000038	半轴齿轮垫片	2	
46	2907000037	半轴齿轮	2	
47	2907000041	十字轴	1	
48	4041000019	O 形圈 LGB308-430*3. 5	1	
49	2909000008	从动螺旋伞齿轮 (左)	1	

后主传动总成

REAR AXLE MAIN DRIVE ASS'Y



C5

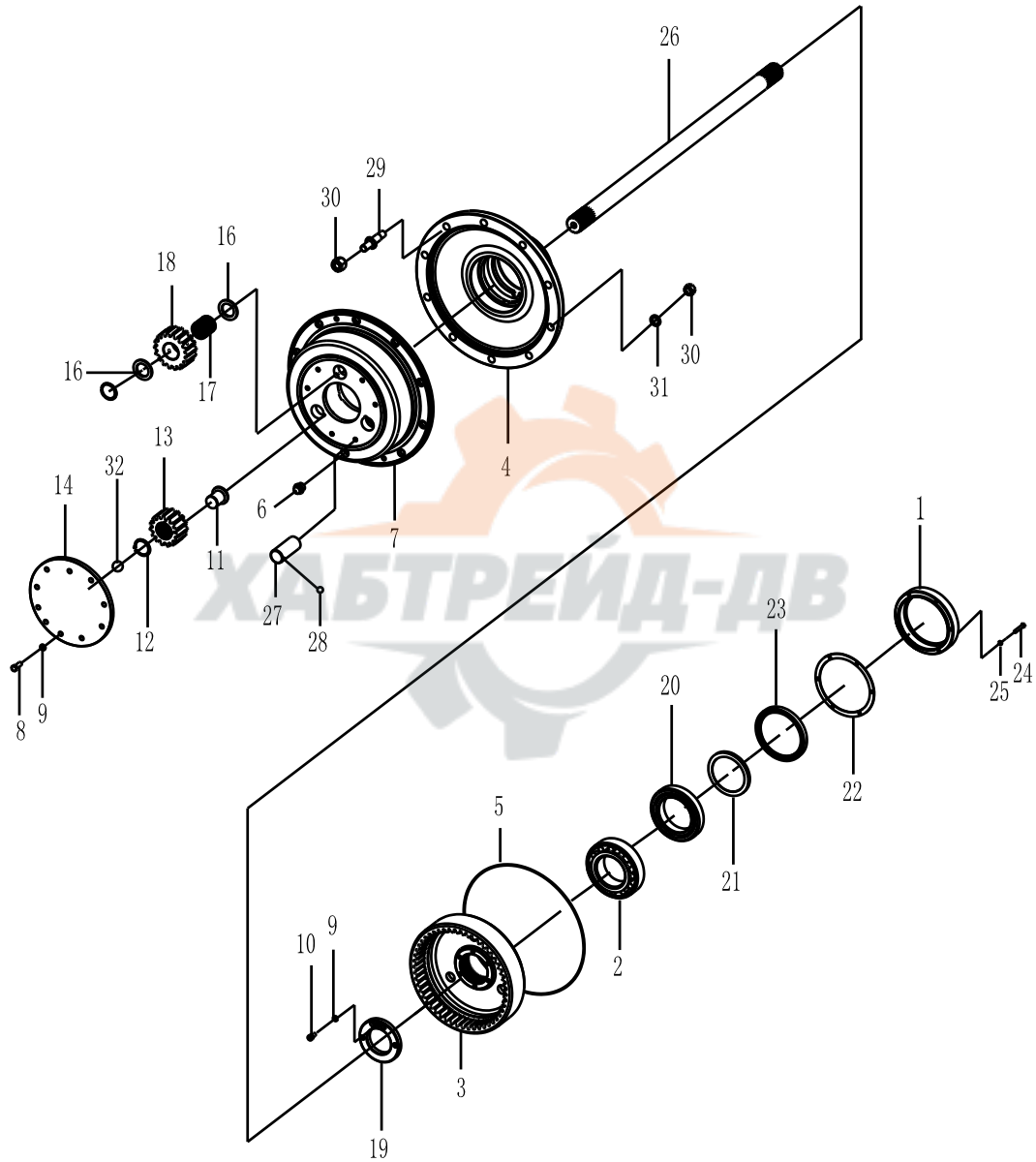
序号	代号	名称		数量	备注
KEY	PART NO.	DESCRIPTION		QTY	REMARKS
50	2907000036	差速器右壳	RIGHT CASE DIFF	1	
51	2907000949	螺栓	BOLT	8	
52	2907000950	螺栓	BOLT	12	
53	4015000098	垫圈 GB93-16-65Mn	WASHER GB93-16-65Mn	22	
54	4011000244	螺栓 GB5786-M16*1.5*50EpZn-8.8	BOLT GB5786-M16*1.5*50EpZn-8.8	22	
55	2907000046	固定销	PIN	4	



C6

轮边减速器总成

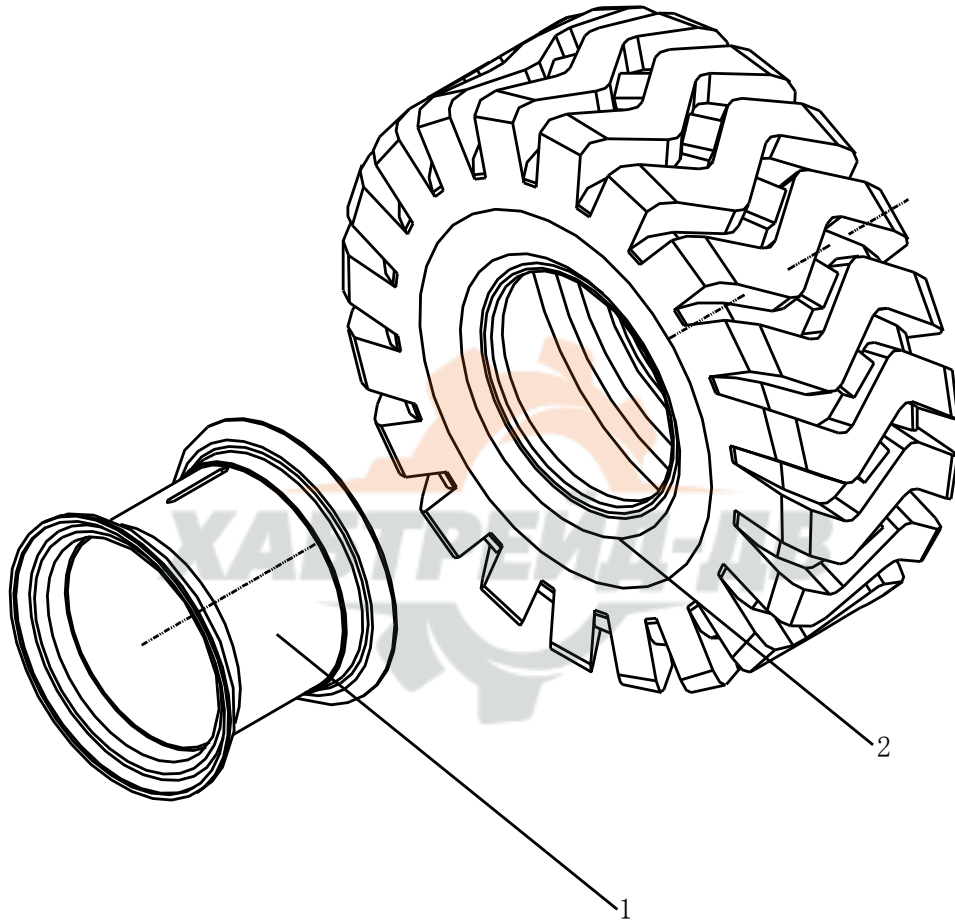
FINAL DRIVE ASSEMBLY



C6

序号	代号	名称		数量	备注
KEY	PART NO.	DESCRIPTION		QTY	REMARKS
1	2907000047	油封端盖	COVER OF OIL SEAL	1	
2	4021000038	滚动轴承 GB297-32224	BEARING GB297-32224	1	
3	2907000048	驱动桥内齿轮	AXLE RING GEAR	1	
4	2907000049	轮毂	HUB WHEEL	1	
5	4041000020	O 形圈 LGB308-440*3.5	O-RING LGB308-440*3.5	1	
6	4120000080	螺塞 Q/ZB286-ZG3/4"-Q235A	PLUG Q/ZB286-ZG3/4"-Q235A	1	
7	2907000765	行星轮架	PLANET PINION CARRIER	1	
8	4011000084	螺栓 GB5783-M10*30EpZn-8.8	BOLT GB5783-M10*30EpZn-8.8	10	
9	4015000025	垫圈 GB93-10-65Mn	WASHER GB93-10-65Mn	10	
10	4014000016	螺钉 GB70-M10*1*20EpZn-8.8	SCREW GB70-M10*1*20EpZn-8.8	1	
11	2907000916	定位块	LOCK BLOCK	1	
12	4015000022	挡圈 GB894.1-52-65Mn	RING SNAP GB894.1-52-65Mn	1	
13	2907000051	太阳齿轮	GEAR-SUN	1	
14	2907000762	盖	COVER	1	
15	2907000054	垫片	SPACER	6	
16	2907000055	挡环	RING SNAP	6	
17	4090000004	滚针 GB309-5*45-GCr15	ROLLER GB309-5*45-GCr15	93	
18	2907000056	行星齿轮	PLANET GEAR	3	
19	2907000057	圆螺母	ROUND NUT	1	
20	4021000034	滚动轴承 GB297-32028	BEARING GB297-32028	1	
21	2907000058	隔套	ISOLATED BUSHING	1	
22	2907000059	密封垫	SPACER	1	
23	4030000146	油封 HG4-692-SG170*200*15	OIL SEAL HG4-692-SG170*200*15	1	
24	4011000298	螺栓 GB5782-M8*45EpZn-8.8	BOLT GB5782-M8*45EpZn-8.8	6	
25	4015000036	垫圈 GB93-8-65Mn	WASHER GB93-8-65Mn	6	
26	2907000060	半轴	DIFFERENTIAL AXLE	1	
27	2907000061	行星齿轮轴	PLANET PINION SHAFT	3	
28	4090000008	钢球 GB308-9.525-GCr15	STEEL BALL GB308-9.525-GCr15	3	
29	2907000062	轮辋螺栓	RIM BOLT	10	
30	4013000203	螺母 GB6171-M20*1.5EpZn-10	NUT GB6171-M20*1.5EpZn-10	10	
31	4015000030	垫圈 GB93-20-65Mn	WASHER GB93-20-65Mn	10	
32	4090000006	钢球 GB308-17.462-GCr15	STEEL BALL GB308-17.462-GCr15	1	

轮胎轮辋总成 RIM AND TYRE ASSEMBLY



C7

序号	代号	名称	数量	备注
KEY	PART NO.	DESCRIPTION	QTY	REMARKS
1	4190000237	轮辋 LG19.50/2.5-25	1	RIM
2	4110000006	轮胎 GB2980-23.5-25	1	TIRE ASS'Y



D 工作装置液压系统

IMPLEMENT HYDRAULIC SYSTEM

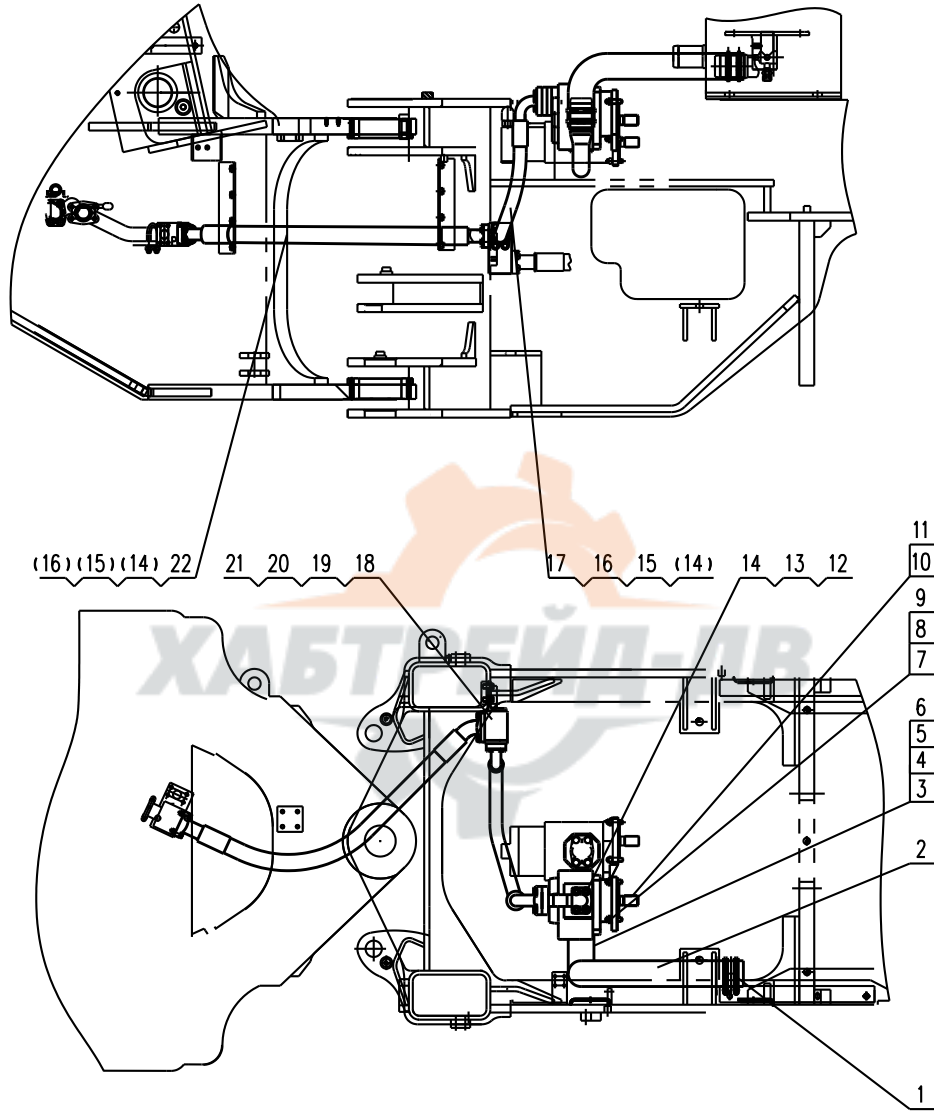


山东临工工程机械有限公司
SHANDONG LINGONG CONSTRUCTION MACHINERY LTD.

D1

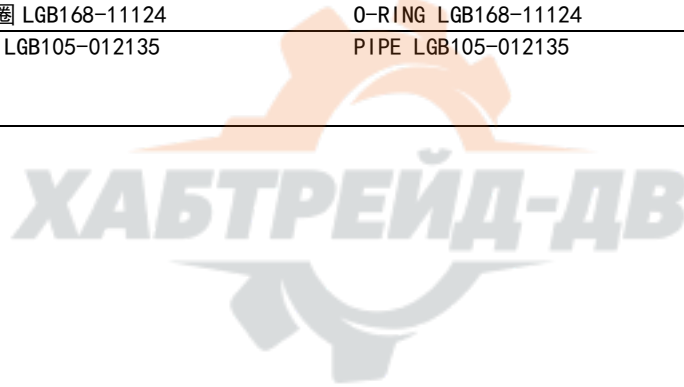
工作泵总成

WORKING PUMP ASSEMBLY



D1

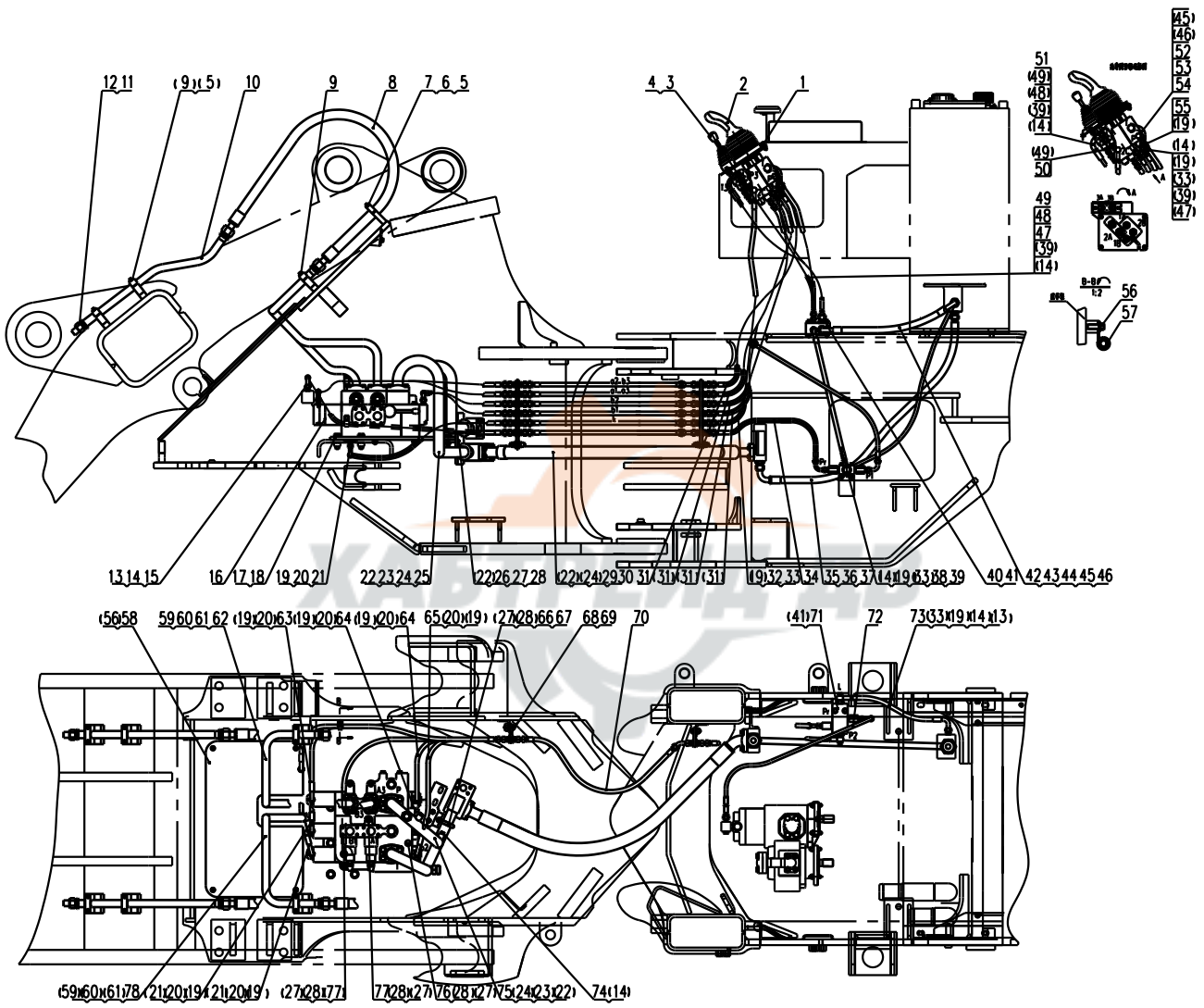
序号	代号	名称		数量	备注
KEY	PART NO.	DESCRIPTION		QTY	REMARKS
1	4017000013	喉箍 JB8870-d90	CLAMP JB8870-d90	4	
2	2911000002	工作泵吸油胶管	OIL INLET PIPE OF WORKING PUMP	1	
3	2911000756	工作泵吸油钢管	OIL INLET TUBE OF WORKING PUMP	1	
4	4011000479	螺栓 GB16674-M12*30EpZn-8.8	BOLT GB16674-M12*30EpZn-8.8	4	
5	4030000235	O形圈 GB3452.1-43.7*3.55G	O-RING GB3452.1-43.7*3.55G	1	
6	4041000011	分体法兰 LGB117-314650	FLANGE LGB117-314650	1	
7	4013000011	螺母 GB6170-M12EpZn-8	NUT GB6170-M12EpZn-8	4	
8	4015000168	垫圈 GB97.1-12EpZn-300HV	WASHER GB97.1-12-300HV	4	
9	4012000003	螺柱 GB898-M12*35EpZn-8.8	DOUBLE-SCREW BOLT GB898-M12*35EpZn-8.8	4	
10	4120000903	工作泵 CBGj3100C	WORKING PUMP CBGj3100C	1	
11	2911000754	泵用密封垫	SEAL SPACER OF PUMP	1	
12	4011000279	螺栓 GB16674-M10*60EpZn-8.8	BOLT GB16674-M10*60EpZn-8.8	4	
13	2911000102	出油钢管	OUT-OIL TUBE	1	
14	4030000029	O形圈 GB3452.1-37.5*3.55G	O-RING GB3452.1-37.5*3.55G	5	
15	4041000056	分体法兰 LGB117-312550	FLANGE LGB117-312550	4	
16	4011000475	螺栓 GB16674-M10*30EpZn-8.8	BOLT GB16674-M10*30EpZn-8.8	16	
17	4041000055	软管 LGB106-012085	PIPE LGB106-012085	1	
18	4011000474	螺栓 GB16674-M10*25EpZn-8.8	BOLT GB16674-M10*25EpZn-8.8	4	
19	2911000833	三通块	THREE-WAY BLOCK	1	
20	4041000774	螺塞 LGB135-01422	PLUG LGB135-01422	1	
21	4041000767	O形圈 LGB168-11124	O-RING LGB168-11124	1	
22	4041000648	软管 LGB105-012135	PIPE LGB105-012135	1	



D2

液压操纵总成

HYDRAULICALLY CONTROLLED ASSEMBLY



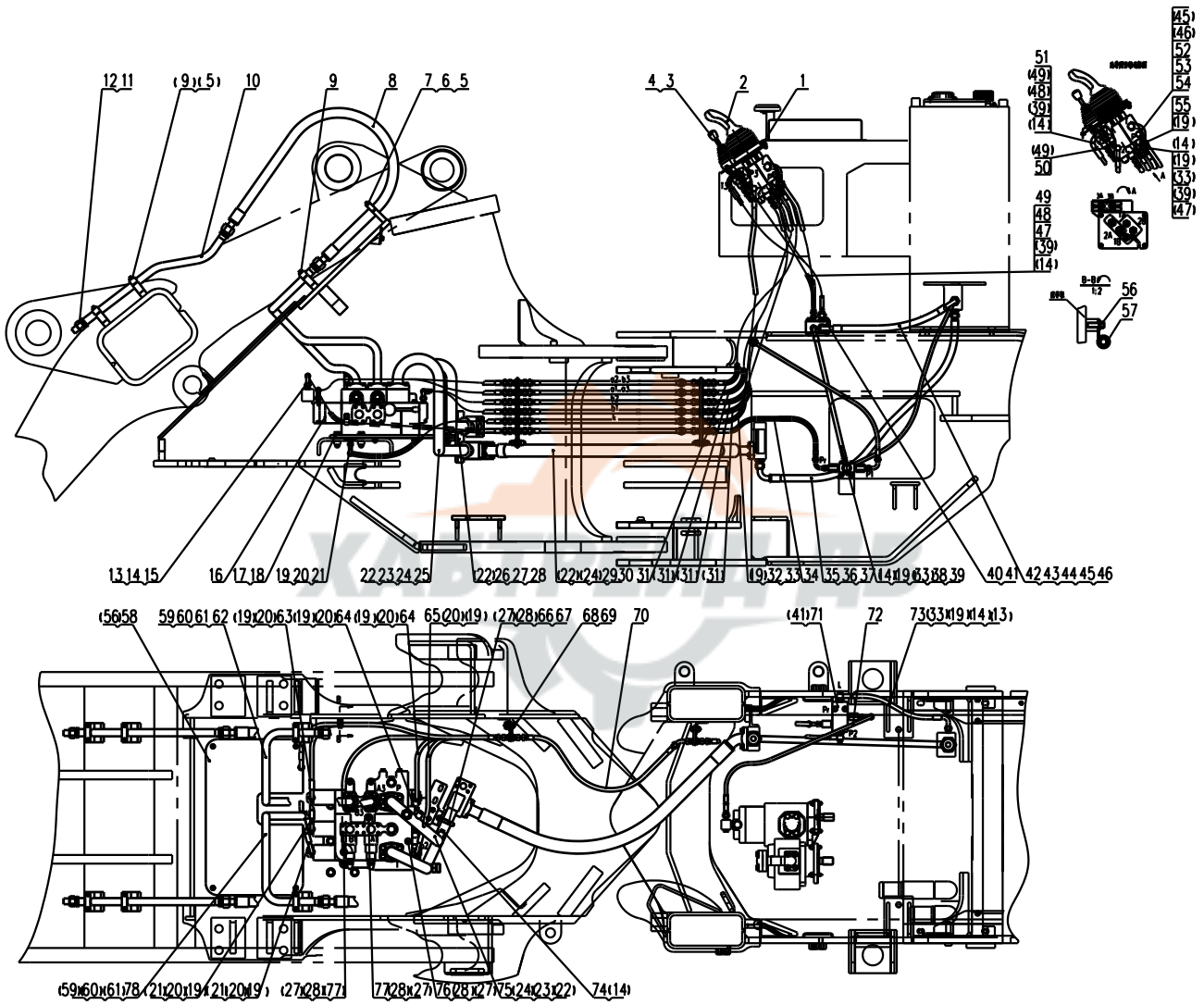
D2

序号	代号	名称		数量	备注
KEY	PART NO.	DESCRIPTION		QTY	REMARKS
1	4011000447	螺栓 GB16674-M10*20EpZn-8.8	BOLT GB16674-M10*20EpZn-8.8	4	
2	4120000370	先导阀总成 DXS-00	MONOLEVER PILOT VALVE DXS-00	1	
3	4120001074	先导阀总成 HC-RCM/1	MONOLEVER PILOT VALVE HC-RCM/1	1	
4	4011000458	螺栓 GB16674-M8*20EpZn-8.8	BOLT GB16674-M8*20EpZn-8.8	2	
5	4011000230	螺栓 GB16674-M10*65EpZn-8.8	BOLT GB16674-M10*65EpZn-8.8	16	
6	2912001461	橡胶板	RUBBER PLATE	4	
7	2912001462	压板	PRESS PLATE	2	
8	4041001121	软管 LGB127-414170	PIPE LGB127-414170	2	
9	2912001464	压板	PRESS PLATE	12	
10	2912001465	动臂联钢管	OIL TUBE TO CHAMBER OF LIFTING CYLINDER	2	
11	4030000504	O 形圈 GB3452. 1-25. 8*1. 80G	O-RING GB3452. 1-25. 8*1. 80G	2	
12	4041000708	堵塞 LGB142-03620	PLUG LGB142-03620	2	
13	4041000150	直接头 LGB120-01814	STRAIGHT JOINT LGB120-01814	2	
14	4041000767	O 形圈 LGB168-11124	O-RING LGB168-11124	9	
15	4041000506	软管 LGB128-005126	PIPE LGB128-005126	1	
16	4030000182	多路阀 D32A-18	CONTROL VALVE D32A-18	1	
17	4011000149	螺栓 GB16674-M16*50EpZn-8.8	BOLT GB16674-M16*50EpZn-8.8	5	
18	2912000754	多路阀固定板	SET PLATE OF OIL INLET TUBE	1	
19	2912001493	垫圈	WASHER	19	
20	2912000766	接头	JOINT	7	
21	4041000505	软管 LGB125-005138	PIPE LGB125-005138	3	
22	4011000477	螺栓 GB16674-M12*35EpZn-8.8	BOLT GB16674-M12*35EpZn-8.8	18	
23	4041000010	分体法兰 LGB117-314651	FLANGE LGB117-314651	2	
24	4030000130	O 形圈 GB3452. 1-47. 5*3. 55G	O-RING GB3452. 1-47. 5*3. 55G	4	
25	2912000003	多路阀回油钢管	OIL OUTLET TUBE OF OIL INLET TUBE	1	
26	2912001212	支架	FTEADY REST	1	
27	4013000011	螺母 GB6170-M12EpZn-8	NUT GB6170-M12EpZn-8	9	
28	4015000168	垫圈 GB97. 1-12EpZn-300HV	WASHER GB97. 1-12EpZn-300HV	9	
29	4041000011	分体法兰 LGB117-314650	FLANGE LGB117-314650	2	
30	4041000894	软管 LGB161-014135	PIPE LGB161-014135	1	
31	2912000763	先导阀油管 (A、B)	PIPE OF PILOT (A、B)	6	
32	2912000762	先导阀油管 2C	PIPE OF PILOT VALVE 2C	1	
33	4011000344	螺栓 JB999-M14*1. 5*32EpZn-35	BOLT JB999-M14*1. 5*32-35	4	
34	2912001100	选择阀至动臂大腔后油管	REAR PIPE FROM LIFTING CYLINDER TO SELECTION VALVE	1	
35	4041001011	软管 LGB165-014160	PIPE LGB165-014160	1	
36	4041000577	直接头 LGB120-03633	STRAIGHT JOINT LGB120-03633	2	
37	4041000765	O 形圈 LGB168-12931	O-RING LGB168-12931	2	
38	2912001220	选择阀至过渡块软管	PIPE SELECTION VALVE TO BLOCK	1	
39	4041000604	直接头 LGB120-01614	STRAIGHT JOINT LGB120-01614	4	
40	2912001211	过渡块	BLOCK	1	
41	4011000279	螺栓 GB16674-M10*60EpZn-8.8	BOLT GB16674-M10*60EpZn-8.8	6	
42	2912001224	过渡块至液压油箱软管	PIPE BLOCK TO HYDRAULIC TANK ASSEMBLY	1	
43	4041000095	直接头 LGB120-02218	STRAIGHT JOINT LGB120-02218	1	
44	4041000768	O 形圈 LGB168-11524	O-RING LGB168-11524	1	
45	4041000143	直接头 LGB120-02222	STRAIGHT JOINT LGB120-02222	2	
46	4041000771	O 形圈 LGB168-11924	O-RING LGB168-11924	2	
47	2912001085	前部先导油管 (b2)	FRONT PIPE OF PILOT VALVE	2	
48	2912001032	螺栓	BOLT	2	
49	2912001338	垫圈	WASHER	6	
50	2912001034	直通接头	STRAIGHT JOINT	2	
51	2912001033	先导阀回油管	OIL RETURN PIPE OF PILOT VALVE	1	
52	2912001226	先导阀回油管	OIL RETURN PIPE OF PILOT VALVE	1	
53	2912001522	垫圈	WASHER	2	
54	4011000366	螺栓 JB999-M18*1. 5*40EpZn-35	BOLT JB999-M18*1. 5*40EpZn-35	1	

D2

液压操纵总成

HYDRAULICALLY CONTROLLED ASSEMBLY



D2

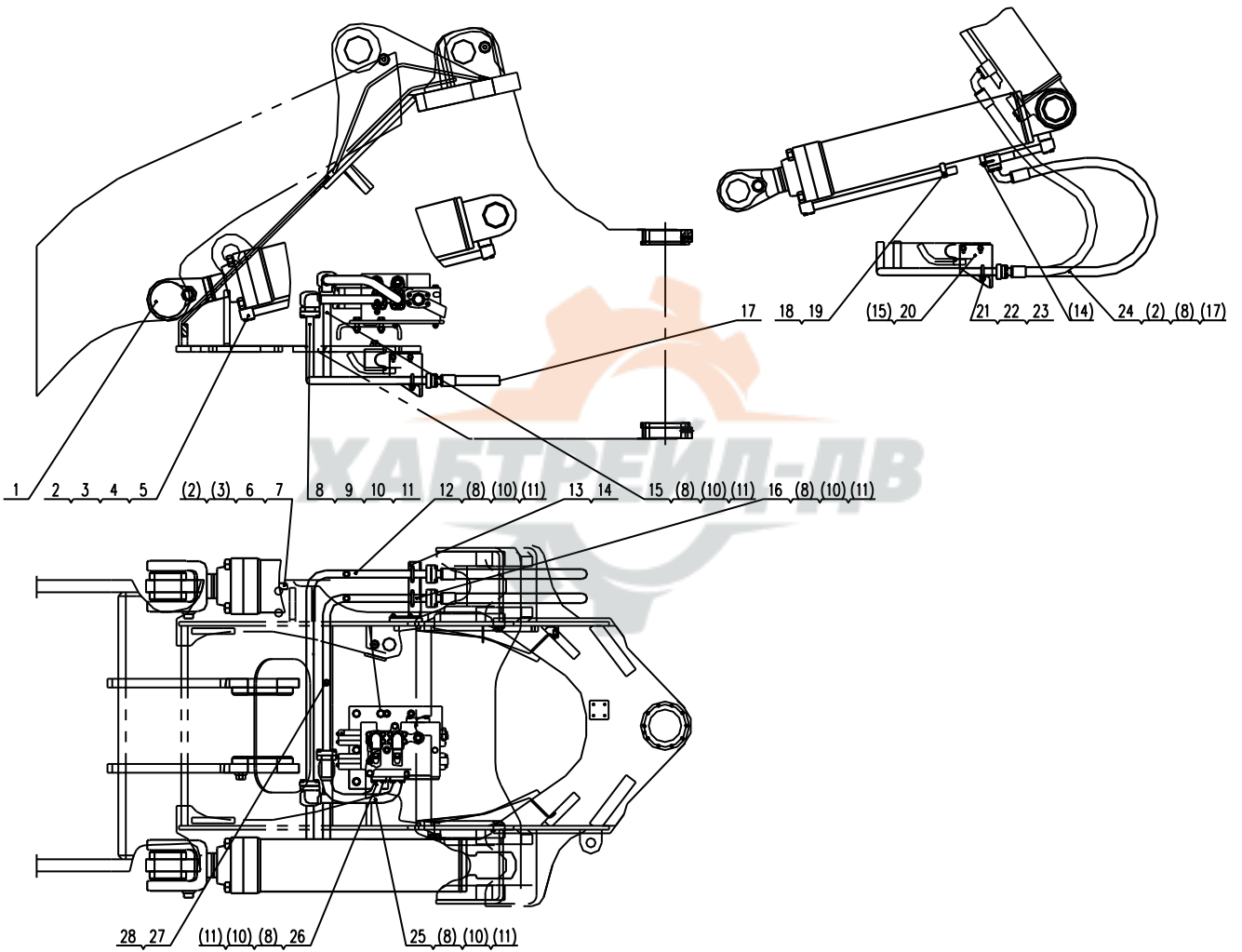
序号	代号	名称		数量	备注
KEY	PART NO.	DESCRIPTION		QTY	REMARKS
55	2912000765	接头	JOINT	4	
56	4011000461	螺栓 GB16674-M8*16EpZn-8.8	BOLT GB16674-M8*16EpZn-8.8	8	
57	2912000767	管夹	CLAMP	4	
58	2912001479	前盖板	FRONT CAP	1	
59	4011000475	螺栓 GB16674-M10*30EpZn-8.8	BOLT GB16674-M10*30EpZn-8.8	8	
60	4030000029	O形圈 GB3452.1-37.5*3.55G	O-RING GB3452.1-37.5*3.55G	2	
61	4041000027	分体法兰 LGB117-312551	FLANGE LGB117-312551	2	
62	2912001481	三联阀右钢管	OIL TUBE OF CONTROL VALVE (R)	1	
63	4041000503	软管 LGB125-005126	PIPE LGB161-005126	1	
64	4041000502	软管 LGB125-005075	PIPE LGB161-005075	2	
65	4041000210	软管 LGB125-005091	PIPE LGB161-005091	1	
66	4041000954	U形螺栓 LGB159-14254	U-BOLT LGB159-14254	2	
67	4041000955	底板 LGB160-4254	BOTTOM SHEET LGB160-4254	2	
68	2912001119	先导油管二通管组	TWO-WAY PILOT OIL PIPE GROUP 2	2	
69	4011000479	螺栓 GB16674-M12*30EpZn-8.8	BOLT GB16674-M12*30EpZn-8.8	8	
70	4041000652	软管 LGB129-005090	PIPE LGB129-005090	8	
71	4120000448	压力选择阀 SF8-C	PRESSURE SELECTION VALVE SF8-C	1	
72	2912000755	选择阀进油管	OIL INLET PIPE OF SELECTION VALVE	1	
73	2912000756	选择阀回油管	OIL RETURN PIPE OF SELECTION VALVE	1	
74	4041000774	螺塞 LGB135-01422	PLUG LGB135-01422	3	
75	2912001215	多路阀进油钢管	OIL INLET TUBE OF OIL INLET TUBE	1	
76	4011000056	螺栓 GB5782-M12*145EpZn-8.8	BOLT GB5782-M12*145EpZn-8.8	1	
77	4011000057	螺栓 GB5782-M12*165EpZn-8.8	BOLT GB5782-M12*165EpZn-8.8	2	
78	2912001483	三联阀左钢管	OIL TUBE OF CONTROL VALVE (L)	1	



D3

举升缸总成

LIFTING CYLINDER ASSEMBLY



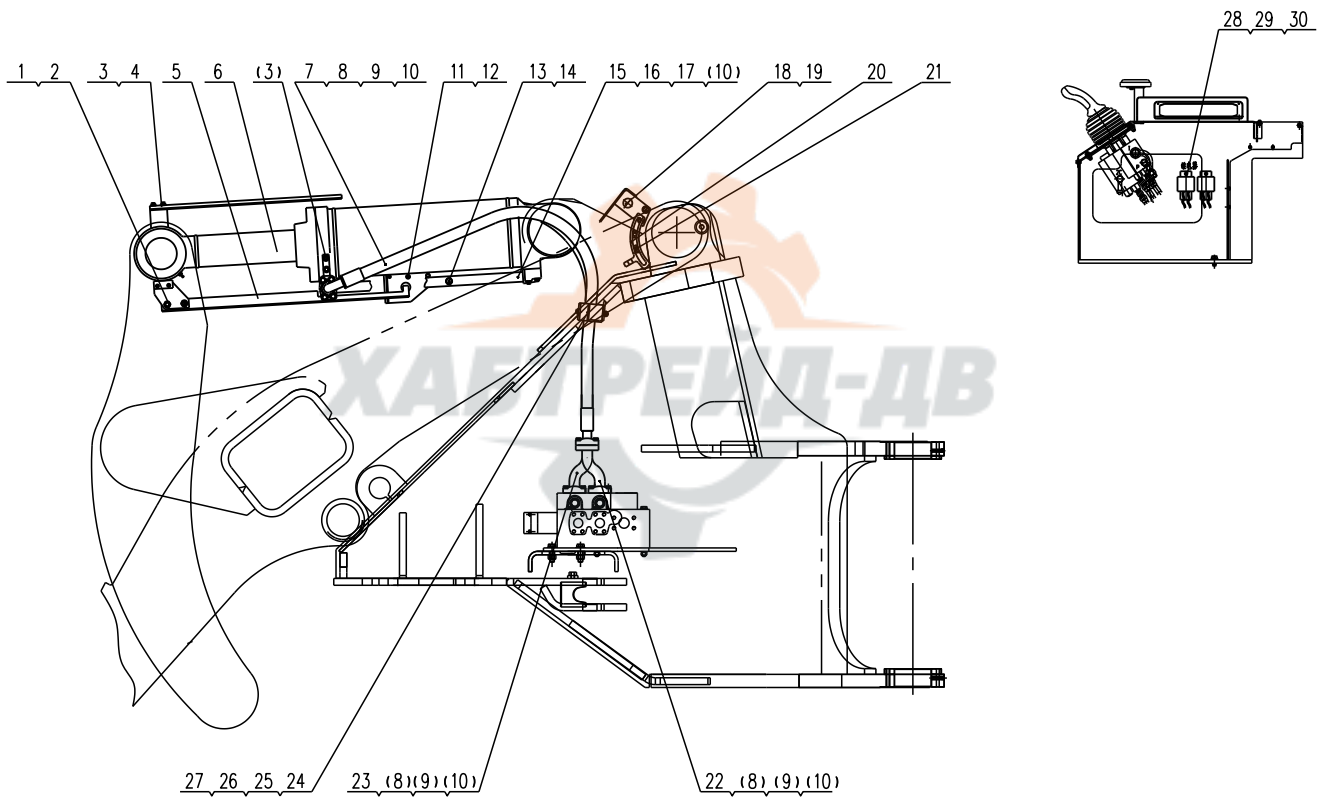
D3

序号	代号	名称	数量	备注
KEY	PART NO.	DESCRIPTION	QTY	REMARKS
1	4120000600	动臂油缸 HSGF-180*100*798-1348	LIFTING CYLINDER HSGF-180*100*7798-1348	2
2	4030000026	O形圈 GB3452.1-32.5*3.55G	O-RING GB3452.1-32.5*3.55G	12
3	4011000473	螺栓 GB16674-M10*55EpZn-8.8	BOLT GB16674-M10*55EpZn-8.8	16
4	2913000851	左动臂缸小腔钢管	OIL TUBE TO SMALL CHAMBER OF LEFT LIFTING CYLINDER	1
5	2913000003	左动臂缸大腔钢管	OIL TUBE TO BIG CHAMBER OF LEFT LIFTING CYLINDER	1
6	2913000845	右动臂缸小腔钢管	OIL TUBE TO SMALL CHAMBER OF RIGHT LIFTING CYLINDER	1
7	2913000005	右动臂缸大腔钢管	OIL TUBE TO BIG CHAMBER OF RIGHT LIFTING CYLINDER	1
8	4011000475	螺栓 GB16674-M10*30EpZn-8.8	BOLT GB16674-M10*30EpZn-8.8	56
9	2913000854	动臂联小腔左钢管	OIL TUBE OF LIFTING CYLINDER (L)	1
10	4041000056	分体法兰 LGB117-312550	FLANGE LGB117-312550	6
11	4030000029	O形圈 GB3452.1-37.5*3.55G	O-RING GB3452.1-37.5*3.55G	6
12	2913000847	动臂联小腔右钢管	OIL TUBE OF LIFTING CYLINDER (R)	1
13	2913000856	右固定板	RIGHT FIX PLATE	1
14	4011000488	螺栓 GB16674-M10*16EpZn-8.8	BOLT GB16674-M10*16EpZn-8.8	8
15	2913000965	动臂联大腔左钢管	OIL TUBE OF LIFTING CYLINDER (L)	1
16	2913000964	动臂联大腔右钢管	OIL TUBE OF LIFTING CYLINDER (R)	1
17	4041000043	分体法兰 LGB117-310490	FLANGE LGB117-310490	8
18	2913000011	管夹	CLAMP	2
19	4011000458	螺栓 GB16674-M8*20EpZn-8.8	BOLT GB16674-M8*20EpZn-8.8	4
20	2913000857	左固定板	LEFT FIX PLATE	1
21	4011000556	U形螺栓 JB/ZQ4321-33Zn-Q235A.F	U-BOLT JB/ZQ4321-33Zn-Q235A.F	4
22	4013000007	螺母 GB6170-M10EpZn-8	NUT GB6170-M10EpZn-8	8
23	4015000162	垫圈 GB97.1-10EpZn-300HV	WASHER GB97.1-10EpZn-300HV	8
24	4041000649	软管 LGB106-010130	PIPE OF LGB106-010130	4
25	2913000752	动臂联大腔三通钢管	BIG THREE-WAY OIL TUBE TO CHAMBER OF LIFTING CYLINDER	1
26	2913000014	动臂联小腔三通钢管	SMALL THREE-WAY OIL TUBE TO CHAMBER OF LIFTING CYLINDER	1
27	4041000774	螺塞 LGB135-01422	PLUG LGB135-01422	3
28	4041000767	O形圈 LGB168-11124	O-RING LGB168-11124	3

D4

转斗缸总成

DUMP CYLINDER ASSEMBLY

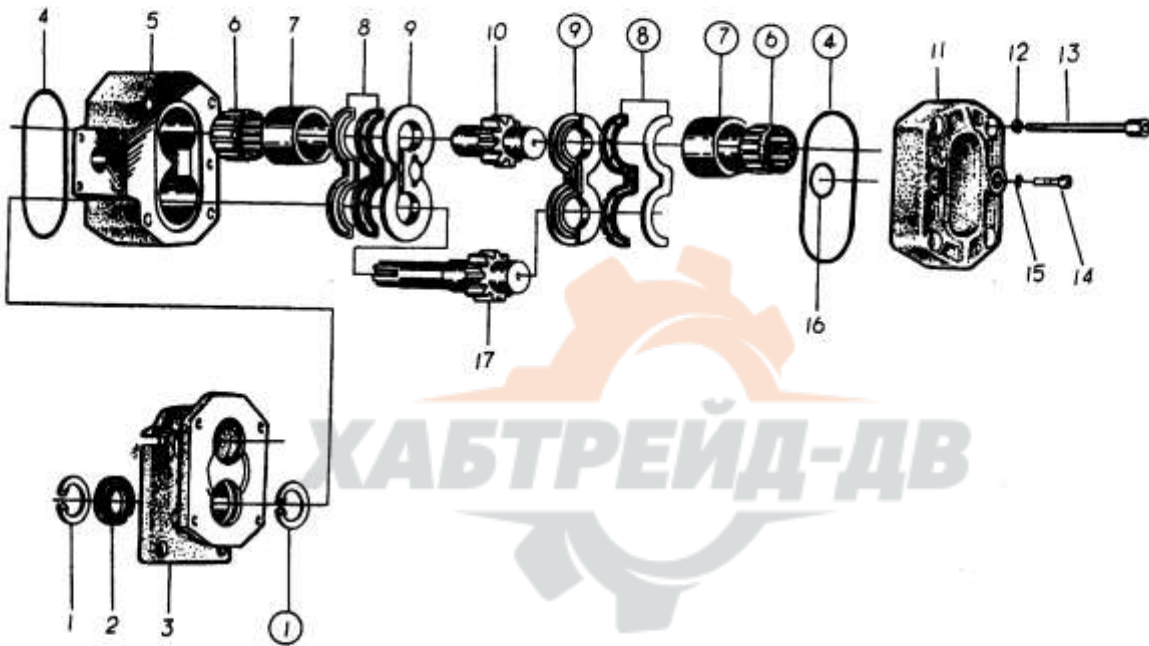


D4

序号	代号	名称		数量	备注
KEY	PART NO.	DESCRIPTION		QTY	REMARKS
1	4011000145	螺栓 GB16674-M14*35EpZn-8.8	BOLT GB16674-M14*35EpZn-8.8	2	
2	4013000013	螺母 GB6170-M14EpZn-8	NUT GB6170-M14EpZn-8	2	
3	4011000488	螺栓 GB16674-M10*16EpZn-8.8	BOLT GB16674-M10*16EpZn-8.8	4	
4	2914000981	放平护板	SET LEVEL GUARD SHEET	1	
5	2914000850	转斗指示板	INDICATING PLATE OF TILTING CYLINDER	1	
6	4120000601	转斗油缸 HSGF-210*110*550-1098	TILT CYLINDER HSGF-210*110*550-1098	1	
7	4041000697	软管 LGB106-012180	PIPE OF LGB106-012180	2	
8	4041000027	分体法兰 LGB117-312551	FLANGE LGB117-312551	6	
9	4011000475	螺栓 GB16674-M10*30EpZn-8.8	BOLT GB16674-M10*30EpZn-8.8	24	
10	4030000029	O形圈 GB3452.1-37.5*3.55G	O-RING GB3452.1-37.5*3.55G	7	
11	4011000479	螺栓 GB16674-M12*30EpZn-8.8	BOLT GB16674-M12*30EpZn-8.8	2	
12	2914000758	接近开关支架	FRAME OF ADJACENT SWICH	1	
13	4041000774	螺塞 LGB135-01422	PLUG LGB135-01422	1	
14	4041000767	O形圈 LGB168-11124	O-RING LGB168-11124	1	
15	4011000309	螺栓 GB16674-M10*50EpZn-8.8	BOLT GB16674-M10*50EpZn-8.8	2	
16	4011000473	螺栓 GB16674-M10*55EpZn-8.8	BOLT GB16674-M10*55EpZn-8.8	2	
17	2914000852	转斗缸大腔钢管	OIL-TUBE TO BIG CHAMBER OF THE TILT CYLINDER	1	
18	2914000754	接近开关支架	FRAME OF ADJACENT SWICH	1	
19	4130000010	接近开关 J7-D10B1	ADJACENT SWICH J7-D10B1	2	
20	2914000755	动臂指示板	INDICATIONG PLATE OF LIFTING CYLINDER	1	
21	4011000137	螺栓 GB16674-M12*20EpZn-8.8	BOLT GB16674-M12*20EpZn-8.8	4	
22	2914000854	转斗联大腔钢管	TUBE OF TILT CYLINDER (BIG)	1	
23	2914000853	转斗联小腔钢管	TUBE OF TILT CYLINDER (SMALLL)	1	
24	2914000114	橡胶板	RUBBER PLATE	2	
25	2914000928	橡胶板	RUBBER PLATE	2	
26	2914000113	压板	PRESS PLATE	2	
27	4011000528	螺栓 GB16674-M10*100EpZn-8.8	BOLT GB16674-M10*100EpZn-8.8	4	
28	4130000011	中间继电器 JD2914	INTERMEDIATE RELAY JD2914	2	
29	4014000048	螺钉 GB818-M5*12EpZn-4.8	SCREW GB818-M5*12EpZn-4.8	2	
30	4015000110	垫圈 GB97.1-5EpZn-300HV	WASHER GB97.1-5EpZn-300HV	2	

D5

工作齿轮泵 WORKING GEAR PUMP



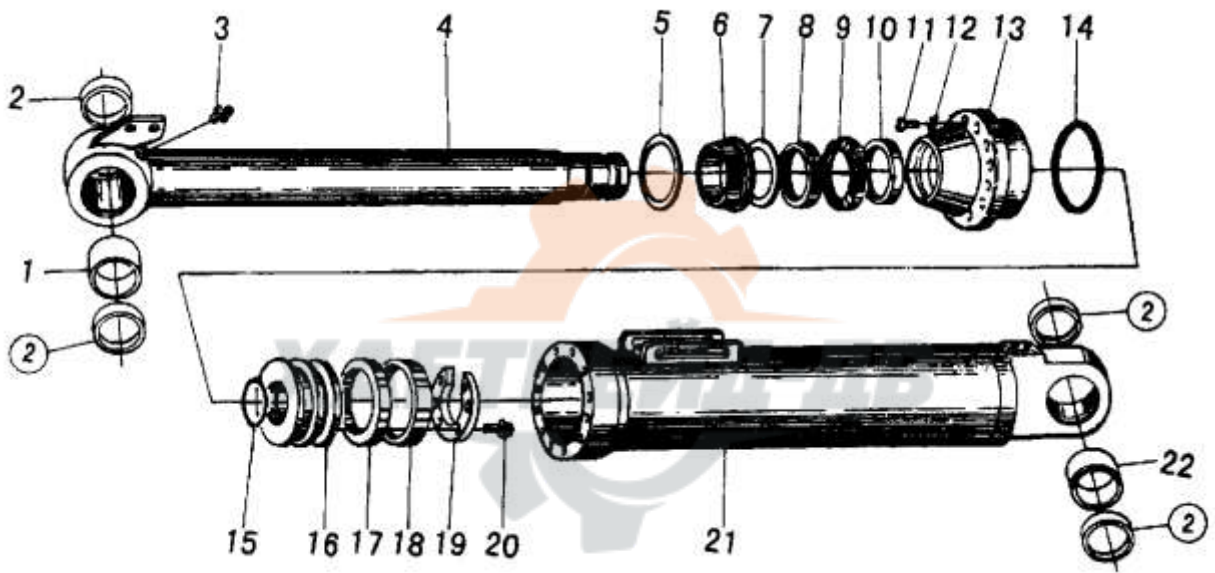
D5

序号	代号	名称	数量	备注
KEY	PART NO.	DESCRIPTION	QTY	REMARKS
1		挡圈	2	PING SNAP
2		油封	1	OIL SEAL
3		前盖	1	FRONT PUMP COVER
4		O 形圈	2	O-RING
5		泵体	1	PUMP BLOCK
6		滚动轴承	4	NEEDLE BEARING
7		轴套	4	SHAFT SLEEVE
8		密封件	2	OIL SEAL
9		侧板	2	SIDE PLATE
10		从动齿轮轴	1	DRIVEN GEAR SHAFT
11		后盖	1	REAR PUMP COVER
12		垫圈	4	LOCK WASHER
13		螺栓	4	BOLT
14		螺栓	1	BOLT
15		垫圈	1	LOCK WASHER
16		O 形圈	1	O-RING
17		主动齿轮轴	1	DRIVE GEAR SHAFT



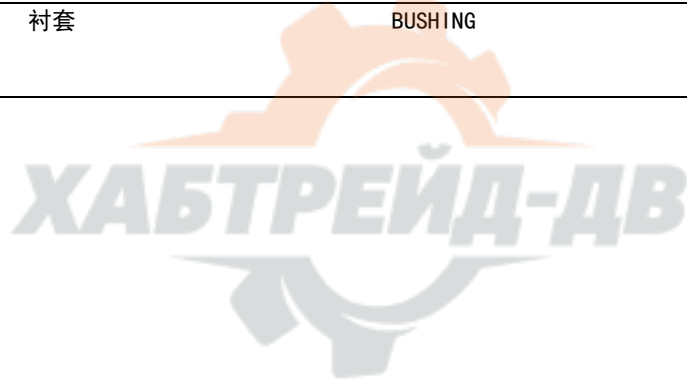
D6

转斗油缸 DUMP CYLINDER



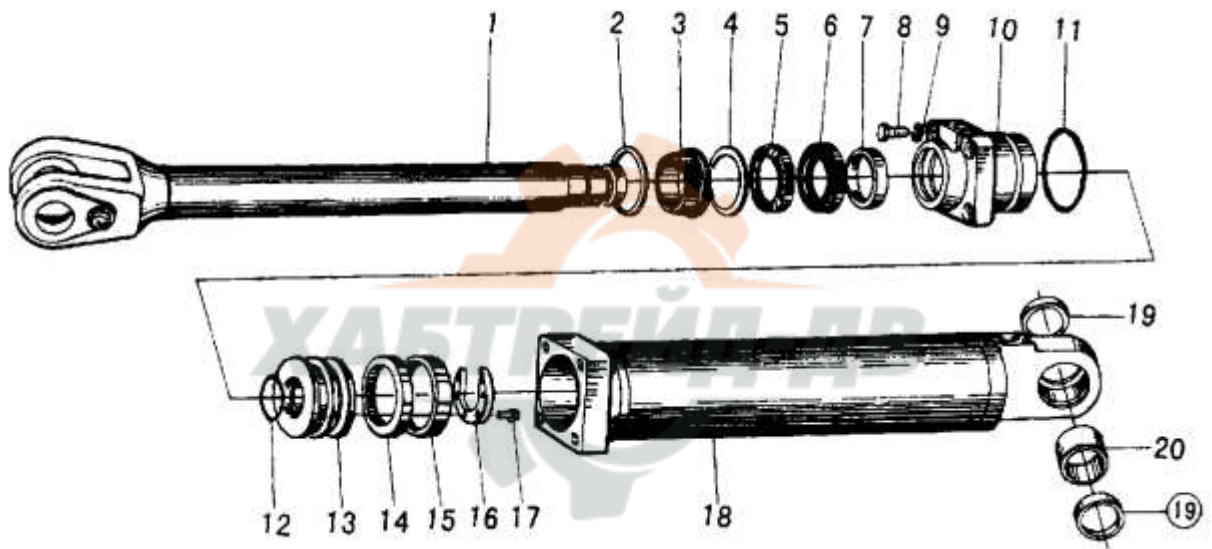
D6

序号	代号	名称		数量	备注
KEY	PART NO.	DESCRIPTION		QTY	REMARKS
1		衬套	BUSHING	1	
2		防尘圈	DUST PROOF RING	4	
3		油杯	FITTING	1	
4		活塞杆	PISTON ROD	1	
5		卡环	LOCK RING	1	
6		防尘圈	DUST PROOF RING	1	
7		挡圈	SNAP RING	1	
8		U形圈	U-RING	1	
9		缓冲环	CUSHION RING	1	
10		支撑环	SUPPORTING RING	1	
11		螺栓	BOLT	12	
12		垫圈	WASHER	12	
13		缸盖	CYLINDER COVER	1	
14		O形圈	O-RING	1	
15		O形圈	O-RING	1	
16		活塞	PISTON	1	
17		组合封	FABRICATE SEALING	1	
18		支撑环	SUPPORTING RING	1	
19		挡块	HOLDING BLOCK	1	
20		螺栓	BOLT	6	
21		缸体	CYLINDER BODY	1	
22		衬套	BUSHING	1	



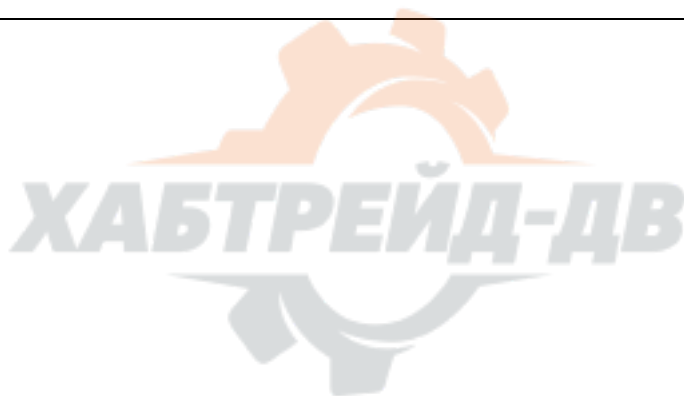
D7

动臂油缸 LIFT ARM CYLINDER



D7

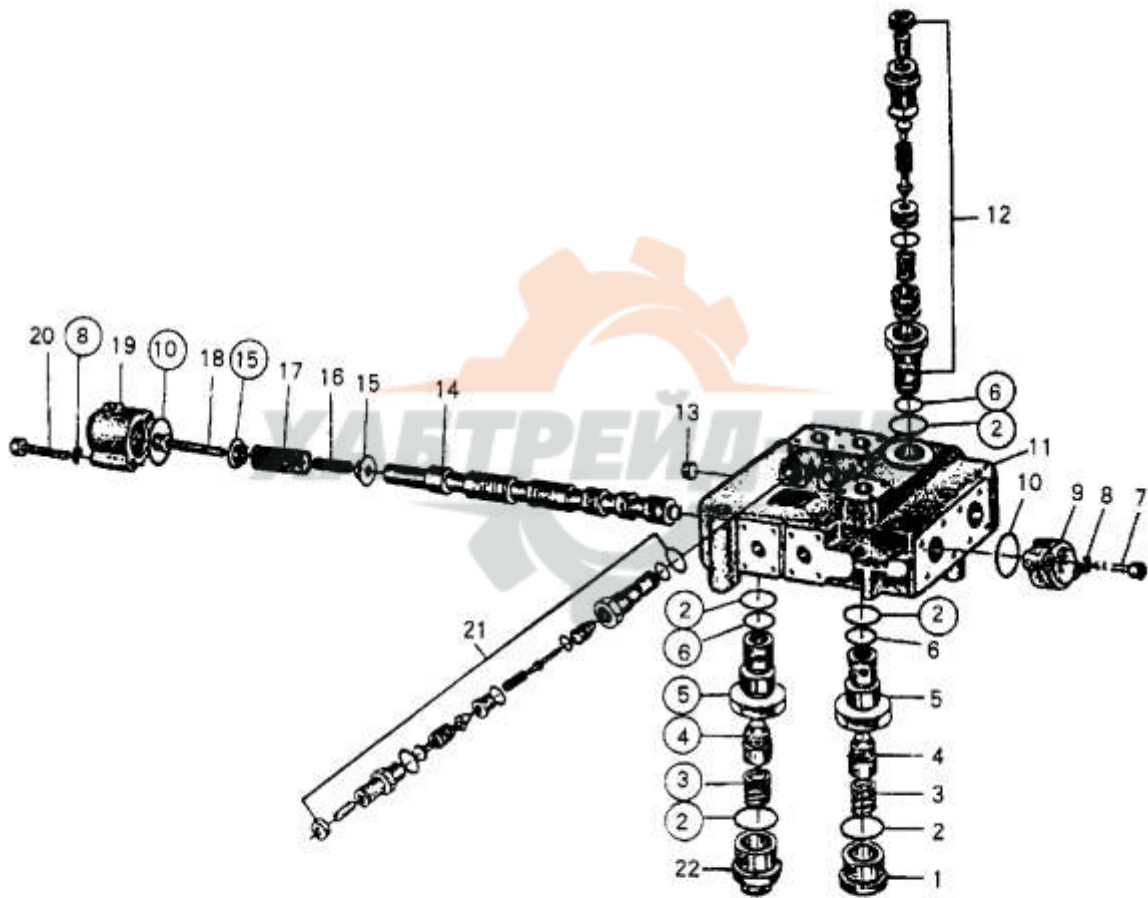
序号	代号	名称		数量	备注
KEY	PART NO.	DESCRIPTION		QTY	REMARKS
1		活塞杆	PISTON ROD	1	
2		卡环	LOCK RING	1	
3		防尘圈	DUST PROOF RING	1	
4		挡圈	SNAP RING	1	
5		U形圈	U-RING	1	
6		缓冲环	CUSHION RING	1	
7		支撑环	SUPPORTING RING	1	
8		螺栓	BOLT	4	
9		垫圈	WASHER	4	
10		缸盖	CYLINDER COVER	1	
11		O形圈	O-RING	1	
12		O形圈	O-RING	1	
13		活塞	PISTON	1	
14		组合封	FABRICATE SEALING	1	
15		支撑环	SUPPORTING RING	1	
16		挡块	HOLDING BLOCK	1	
17		螺栓	BOLT	6	
18		缸体	CYLINDER BODY	1	
19		防尘圈	DUST PROOF RING	2	
20		衬套	BUSHING	1	



D8

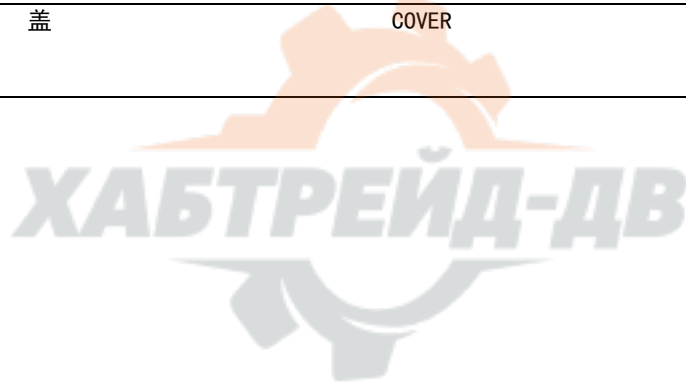
多路阀

MULTIDIRECTIONAL CONTROL VALVE



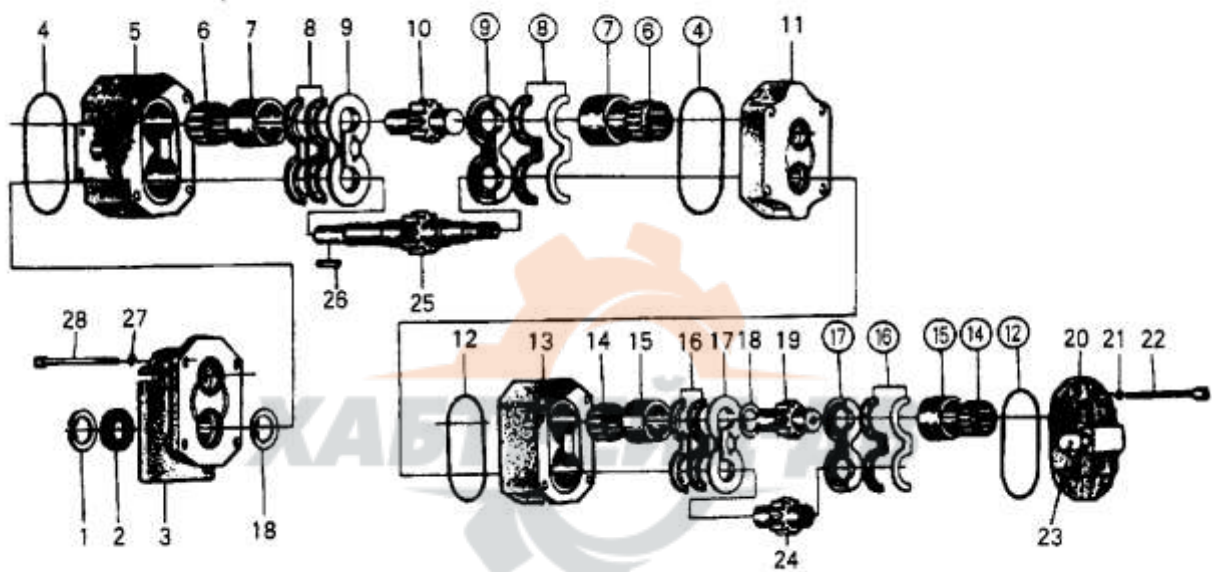
D8

序号	代号	名称		数量	备注
KEY	PART NO.	DESCRIPTION		QTY	REMARKS
1		盖	COVER	3	
2		O 形圈	O-RING	6	
3		弹簧	SPRING	4	
4		锥形圈	TAPER RING	3	
5		阀套	VALVE SLEEVE	4	
6		O 形圈	O-RING	8	
7		螺钉	SCREW	4	
8		垫圈	WASHER	8	
9		端盖	COVER	2	
10		O 形圈	O-RING	2	
11		阀体	VALVE BODY	1	
12		安全阀	SAFETY VALVE	1	
13		螺塞	PLUG	1	
14		滑阀 (O 型)	SLIDE VALVE ("O" TYPE)	2	
15		弹簧座	SPRING SEAT	4	
16		弹簧	SPRING	2	
17		弹簧	SPRING	2	
18		防松螺钉	LOCK SCREW	2	
19		端盖	END COVER	2	
20		螺钉	SCREW	4	
21		过载阀	OVER LOAD VALVE	1	
22		盖	COVER	1	



双联泵

TANDEM GEAR PUMP

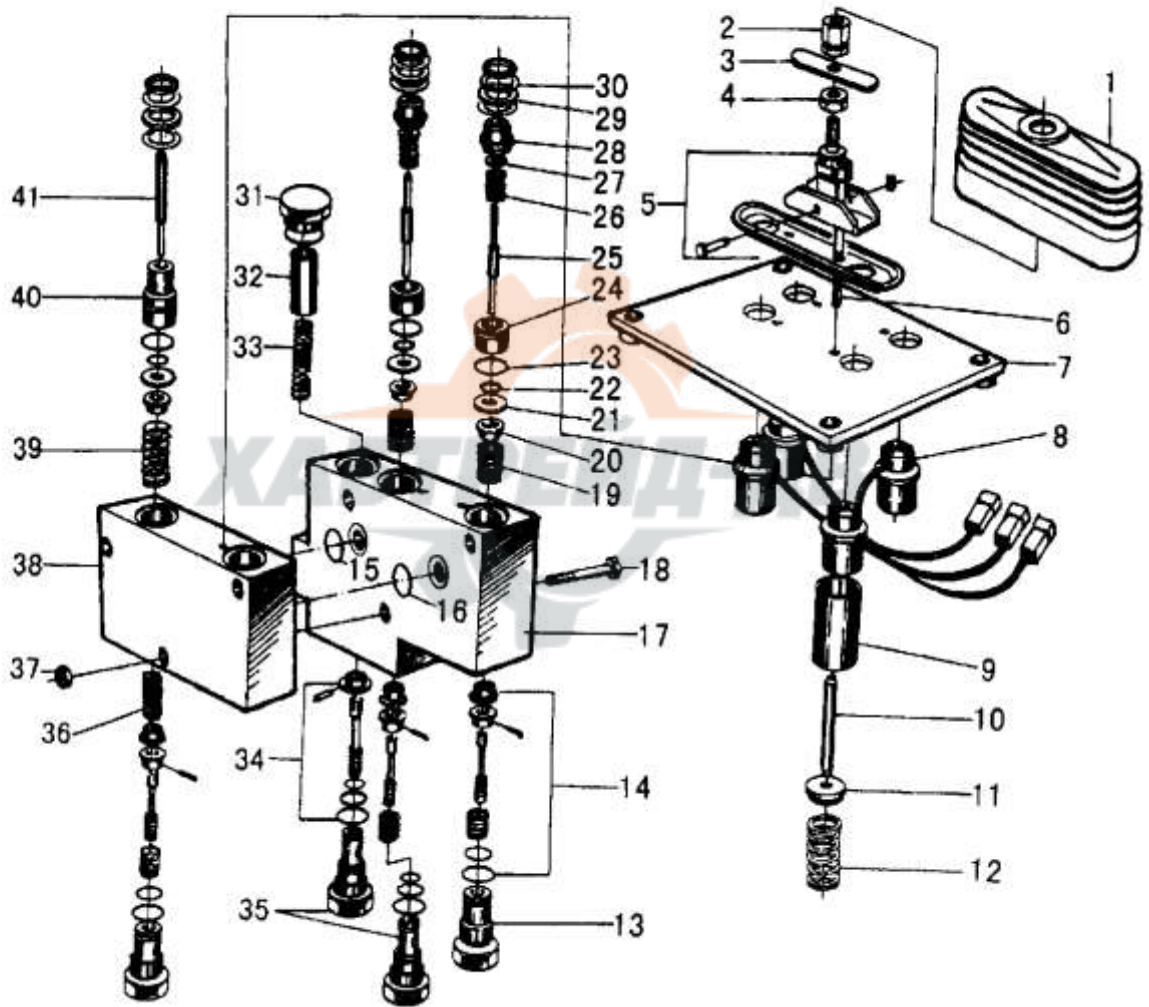


D9

序号	代号	名称	数量	备注
KEY	PART NO.	DESCRIPTION	QTY	REMARKS
1		弹性挡圈	1	
2		油封	2	
3		前盖	1	
4		密封圈	2	
5		前泵体	1	
6		轴承	4	
7		轴套	4	
8		密封件	2	
9		侧板	2	
10		从动齿轮轴	1	
11		中间体	1	
12		矩形密封圈	2	
13		泵体	1	
14		轴承	4	
15		轴套	4	
16		密封件	2	
17		侧板	2	
18		弹性挡圈	1	
19		从动齿轮	1	
20		后盖	1	
21		弹性垫圈	4	
22		螺栓	4	
23		溢流阀	1	
24		主动齿轮	1	
25		主动齿轮轴	1	
26		平键	1	
27		弹性垫圈	4	
28		内六角圆柱螺钉	4	

D10

先导阀总成 PRIORITY VALVE



D10

序号	代号	名称		数量	备注
KEY	PART NO.	DESCRIPTION		QTY	REMARKS
1		橡胶罩	RUBBER COVER	2	
2		螺纹座	THREAD RETAINER	2	
3		压板	PIVOT PLATE	2	
4		螺母	NUT	2	
5		压销组	CLAMP PIN GROUP	2	
6		固定螺栓	SET BOLT	4	
7		固定板	SET PLATE	1	
8		线圈总成	COIL ASSEMBLY	4	
9		弹簧导管	SPRING GUIDE	4	
10		挺柱	PLUNGER	4	
11		弹簧座	SPRING RETAINER	4	
12		回位弹簧	RETURNING SPRING	4	
13		阀座	VALVE SEAT	3	
14		计量阀芯	METERING VALVE STEM	4	
15		密封圈	SEALING RING	1	
16		密封圈	SEALING RING	1	
17		举升联阀体	VALVE BOLCK , LIFTING PORTION	1	
18		螺栓	BOLT	1	
19		计量弹簧	METERING SPRING	2	
20		垫弹座	RETAINER	8	
21		垫片	SPACER	4	
22		密封圈	SEALING RING	4	
23		密封圈	SEALING RING	4	
24		法兰	FLANGE	2	
25		压杆	PUSH ROD	2	
26		弹簧	SPRING	2	
27		垫片	SPACER	2	
28		导向座	GUIDE RETAINER	2	
29		垫片	SPACER	8	
30		绝缘片	ISOLATOR	8	
31		螺塞	THREAD PLUG	1	
32		弹簧导管	SPRING GUIDE	1	
33		弹簧	SPRING	1	
34		计量阀芯	METERING VALVE STEM	1	
35		阀芯	VALVE SEAT	2	
36		弹簧	SPRING	2	
37		螺母	NUT	3	
38		转斗联阀体	VALVE BOLCK , TILTTING PORTION	1	
39		弹簧	SPRING	2	
40		导向座	GUIDE RETAINER	2	
41		压杆	PUSH ROD	2	

E 油箱
TANK

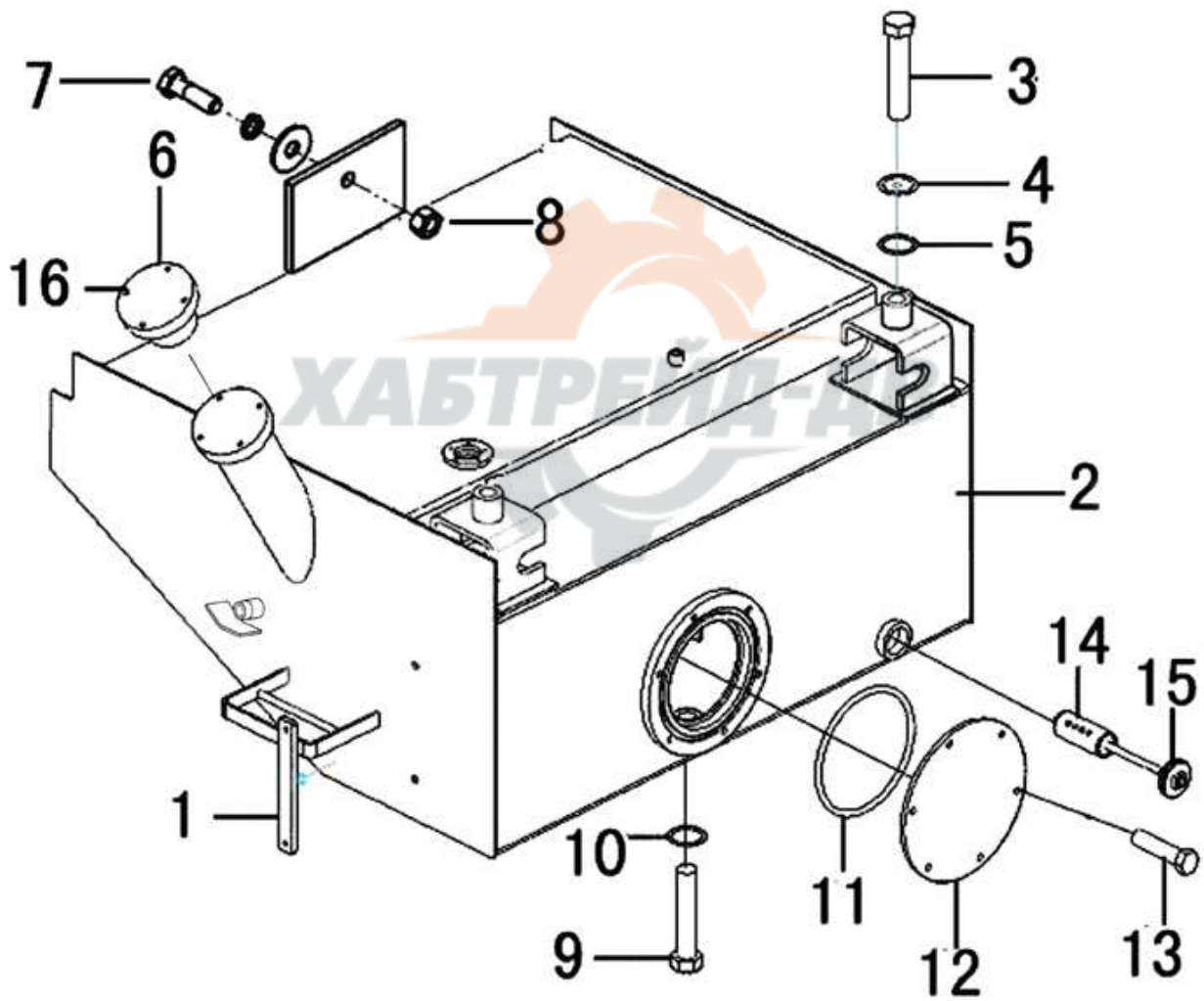


山东临工工程机械有限公司
SHANDONG LINGONG CONSTRUCTION MACHINERY LTD.

E1

燃油箱总成

FUEL TANK ASSEMBLY



E1

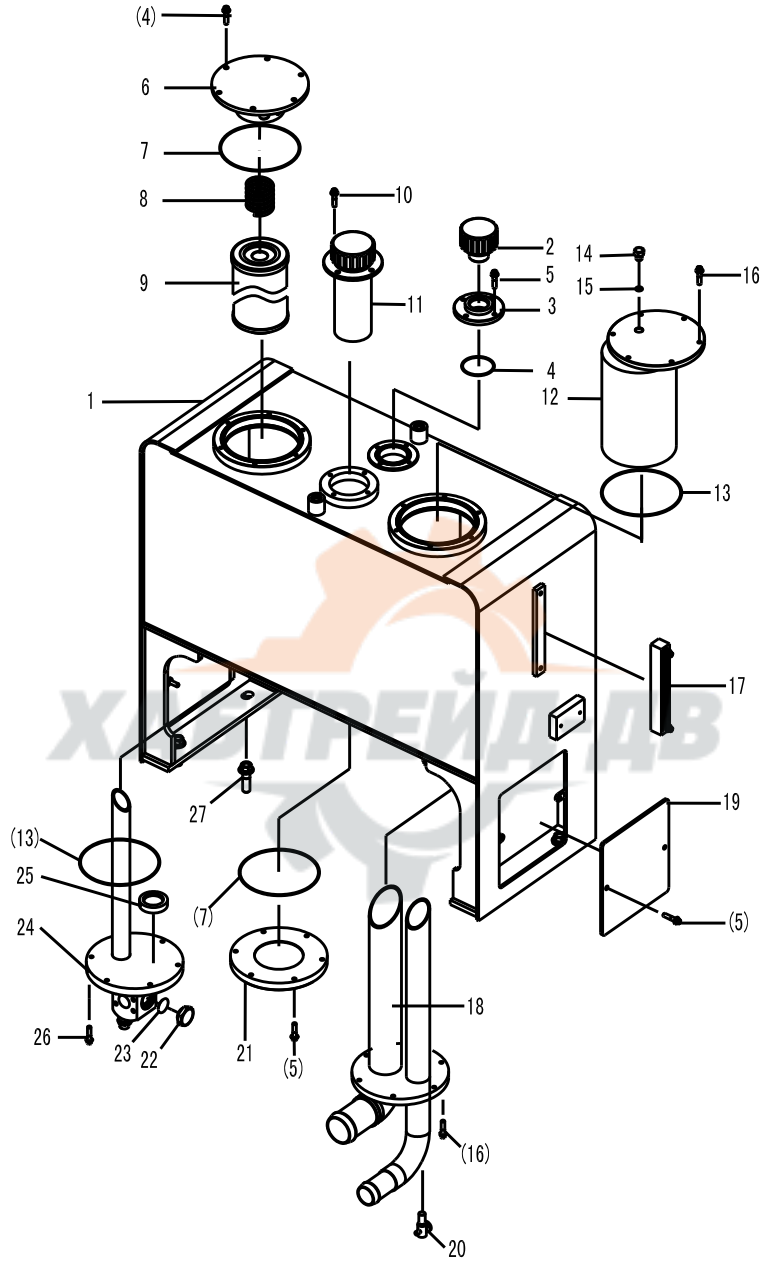
序号	代号	名称		数量	备注
KEY	PART NO.	DESCRIPTION		QTY	REMARKS
1	412000093	液位计 YWZ-200	FUEL LEVEL GAUGE YWZ-200	1	
2	2902000002	燃油箱体	FUEL TANK	1	
3	4011000529	螺栓 GB5785-M24*2*130EpZn-8.8	BOLT GB5785-M24*2*130 EpZn -8.	2	
4	4015000187	垫圈 GB96.1-24EpZn-300HV	WASHER GB96.1-24EpZn-300HV	3	
5	4015000031	垫圈 GB93-24-65Mn	WASHER GB93-24-65Mn	3	
6	4120000081	液压空气过滤器 QUQ2.5b	STRAINER QUQ2.5b	1	
7	4011000567	螺栓 GB5785-M24*2*80-8.8	BOLT GB5785-M24*2*80-8.8	1	
8	4013000042	螺母 GB6171-M24*2EpZn-8	BOLT GB6171-M24*2EpZn-8	1	
9	4030000143	螺塞 JB1000-M27*2EpZn-35	PLUG JB1000-M27*2EpZn-35	1	
10	4015000091	垫圈 JB982-27	WASHER JB982-27	1	
11	4030000084	O形圈 GB3452.1-200*7.00G	O-RING GB3452.1-200*7.00G	1	
12	2902000004	盖板	PLATE	1	
13	4011000474	螺栓 GB16674-M10*25EpZn-8.8	BOLT GB16674-M10*25EpZn-8.8	6	
14	2902000005	滤油器总成	STRAINER ASS'Y	1	
15	2902000006	垫圈	WASHER	1	
16	4011000461	螺栓 GB16674-M8*16EpZn-8.8	BOLT GB16674-M8*16EpZn-8.8	4	



E2

液压油箱总成

HYDRAULIC TANK ASSEMBLY



E2

序号	代号	名称		数量	备注
KEY	PART NO.	DESCRIPTION		QTY	REMARKS
1	2910000002	液压油箱体	HYDRAULIC TANK	1	
2	4120001088	换气过滤器 L1.00807-31	GAS-EXCHANGE FILTER L1.00807-51	1	
3	2910000003	法兰盖	FLANGE CAP	1	
4	4030000233	O形圈 GB3452.1-65*3.55G	O-RING GB3452.1-65*3.55G	1	
5	4011000458	螺栓 GB16674-M8*20EpZn-8.8	BOLT GB16674-M8*20EpZn-8.8	24	
6	2910000004	回油法兰盖	FLANGE CAP	1	
7	4030000232	O形圈 GB3452.1-170*3.55G	O-RING GB3452.1-170*3.55G	2	
8	2910000005	弹簧	SPRING	1	
9	2910000006	回油滤芯	STRAIN CORE	1	
10	4011000461	螺栓 GB16674-M8*16EpZn-8.8	BOLT GB16674-M8*16EpZn-8.8	4	
11	4120000452	加油滤芯 SFM-323M	OIL-SUPPLYING STRAIN CORE SFM-323M	1	
12	2910000007	吸油上部法兰	OIL-SUCTION STRAIN CORE	1	
13	4030000177	O形圈 GB3452.1-206*5.30G	O-RING GB3452.1-206*5.30G	3	
14	4041000774	螺塞 LGB153-01422	THREAD PLUG LGB153-01422	3	
15	4041000767	O形圈 LGB168-11124	O-RING LGB168-11124	3	
16	4011000474	螺栓 GB16674-M10*25EpZn-8.8	BOLT GB16674-M10*25EpZn-8.8	8	
17	4120000094	液位计 YWZ-200T	OIL LEVEL YWZ-200T	1	
18	2910000009	吸油法兰	OIL-SUCTION STRAIN CORE	1	
19	2910000010	维修侧板	SIDE BROAD	2	
20	4120000099	球阀 MBS216-1/2"	BOLL-VALVE MBS216-1/2"	1	
21	2910000036	法兰盖	FLANGE CAP	1	
22	4041000508	螺塞 LGB13501824	THREAD PLUG LGB13501824	1	
23	4041000768	O形圈 LGB-11524	O-RING LGB-11524	1	
24	2910000874	回油法兰	OIL-RETURN FLANGE	1	
25	4190000008	环形磁铁	RING MAGNET	1	
26	4011000164	螺栓 GB16674-M10*35EpZn-8.8	BOLT GB16674-M10*35EpZn-8.8	16	
27	4011000449	螺栓 GB16674-M16*35EpZn-8.8	BOLT GB16674-M16*35EpZn-8.8	4	

F 工作装置

WORKING EQUIPMENT

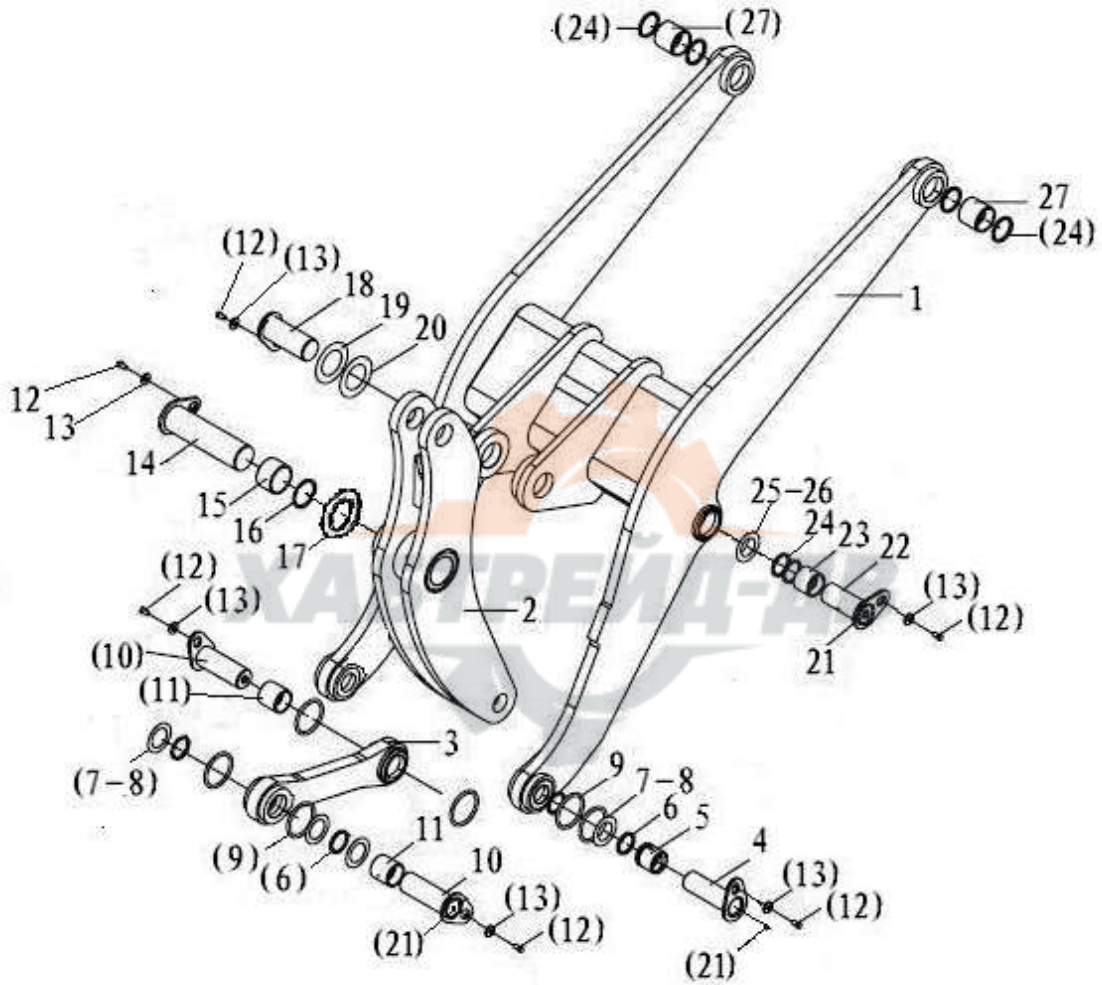


山东临工工程机械有限公司
SHANDONG LINGONG CONSTRUCTION MACHINERY LTD.

F1

工作装置

WORKING EQUIPMENT

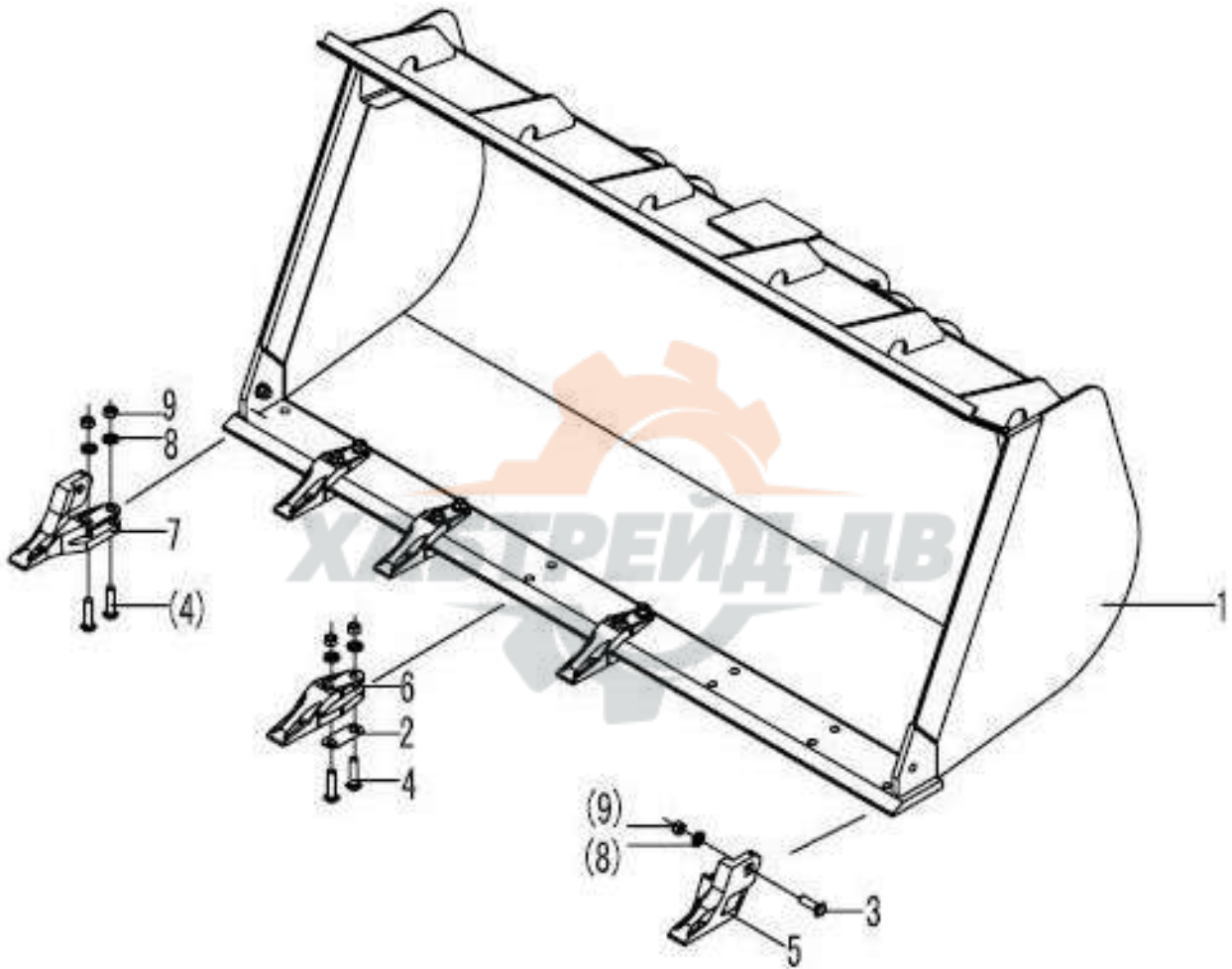


F1

序号	代号	名称		数量	备注
KEY	PART NO.	DESCRIPTION		QTY	REMARKS
1	2915000790	动臂	LIFT ARM	1	
2	2915000791	摇臂	ROCKER ARM	1	
3	2915000792	连杆	LINDAGE ROD	1	
4	4043000184	销轴 LGB301-85*158*295-40Cr	PIN LGB301-85*158*295-40Cr	2	
5	4043000185	轴套 LGB302-85*140A2	BUSH LGB302-85*140A2	2	
6	4043000056	防尘圈 LGB307-85	PUSTRING LGB307-85	8	
7	4043000036	垫片 LGB303-85*130*2	PUSTRING LGB303-85*130*2	8	
8	4043000035	垫片 LGB302-85*130*1	PUSTRING LGB303-85*130*1	8	
9	4043000059	O形圈 LGB308-128*12	O-RING LGB308-128*12	8	
10	4043000183	销轴 LGB301-85*150*280-40Cr	PIN LGB301-85*150*280-40Cr	2	
11	4043000336	轴套 LGB302-85*135B2	BUSH LGB302-85*135B2	2	
12	4011000094	螺栓 GB5783-M16*30EpZn-8.8	BOLT GB5783-M16*30EpZn-8.8	8	
13	4040000002	垫圈 LGB001-16*50*6	WASHER LGB001-16*50*6	8	
14	4043000182	销轴 LGB301-120*N*415-40Cr	PIN LGB301-120*N*415-40Cr	1	
15	4043000199	轴套 LGB302-120*104B1	BUSH LGB302-120*104B1	2	
16	4043000190	防尘圈 LGB307-120	PUSTRING LGB307-120	2	
17	4043000189	垫片 LGB303-120*220*2	PUSTRING LGB303-120*220*2	2	
18	4043000085	销轴 LGB301-110*N*275-40Cr	PIN LGB301-110*N*275-40Cr	1	
19	4043000082	垫片 LGB303-110*160*1	SPACER LGB303-110*160*1	2	
20	4043000083	垫片 LGB303-110*160*2	SPACER LGB303-110*160*2	2	
21	4030000065	油杯 JB7940.1-M10*1	GREASE NIPPLE JB7940.1-M10*1	7	
22	4043000181	销轴 LGB301-95*122*235-40Cr	PIN LGB301-95*122*235-40Cr	2	
23	4043000030	轴套 LGB302-95*100B2	BUSH LGB302-95*100B2	2	
24	4043000057	防尘圈 LGB307-95	PUSTRING LGB307-95	8	
25	4043000038	垫片 LGB303-95*150*2	SPACER LGB303-95*150*2	4	
26	4043000037	垫片 LGB303-95*150*1	SPACER LGB303-95*150*1	4	
27	4043000320	轴套 LGB302-95*144B2	BUSH LGB302-95*144B2	2	

F2

铲斗总成 BUCKET ASSEMBLY



F2

序号	代号	名称		数量	备注
KEY	PART NO.	DESCRIPTION		QTY	REMARKS
1	2917001365	铲斗	BUCKET	1	
2	2917001366	斗齿调整垫	SPACER	8	
3	4040000005	螺栓 LGB002-M30*80	BOLT LGB002-M30*80	2	
4	4040000006	螺栓 LGB002-M30*110	BOLT LGB002-M30*110	16	
5	4043000062	斗齿 LGB304-A2-3	BUCKET TEETH LGB304-A2-3	1	
6	4043000061	斗齿 LGB304-A1-3	BUCKET TEETH LGB304-A1-3	6	
7	4043000063	斗齿 LGB304-A3-3	BUCKET TEETH LGB304-A3-3	1	
8	4015000201	垫圈 GB1230-30EpZn-45	WASHER GB1230-30EpZn-45	18	
9	4013000173	螺母 GB6170-M30EpZn-8	NUT GB6170-M30EpZn-8	18	



G 转向系统

STEERING SYSTEM

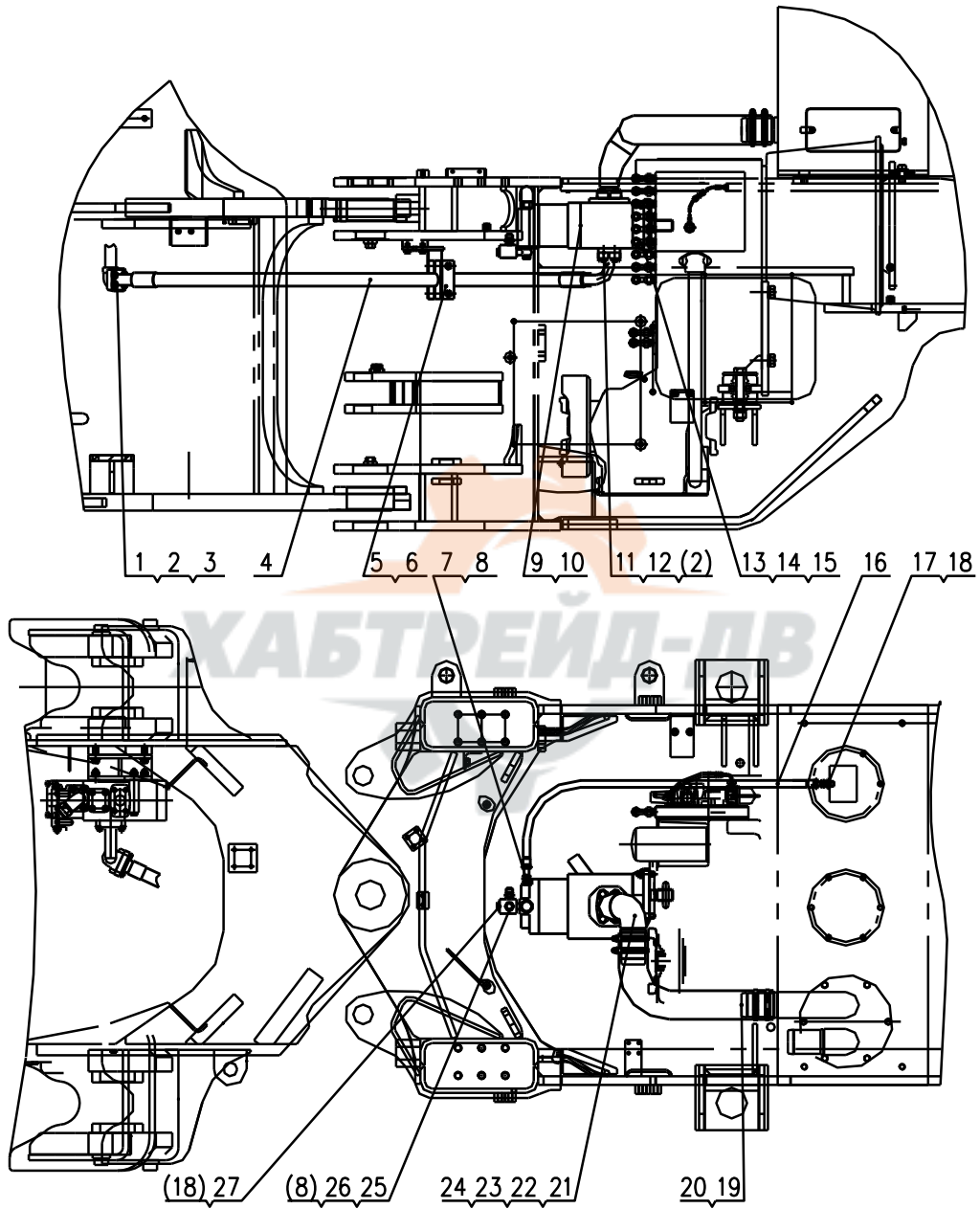


山东临工工程机械有限公司
SHANDONG LINGONG CONSTRUCTION MACHINERY LTD.

G1

转向泵总成

STEERING PUMP ASSEMBLY



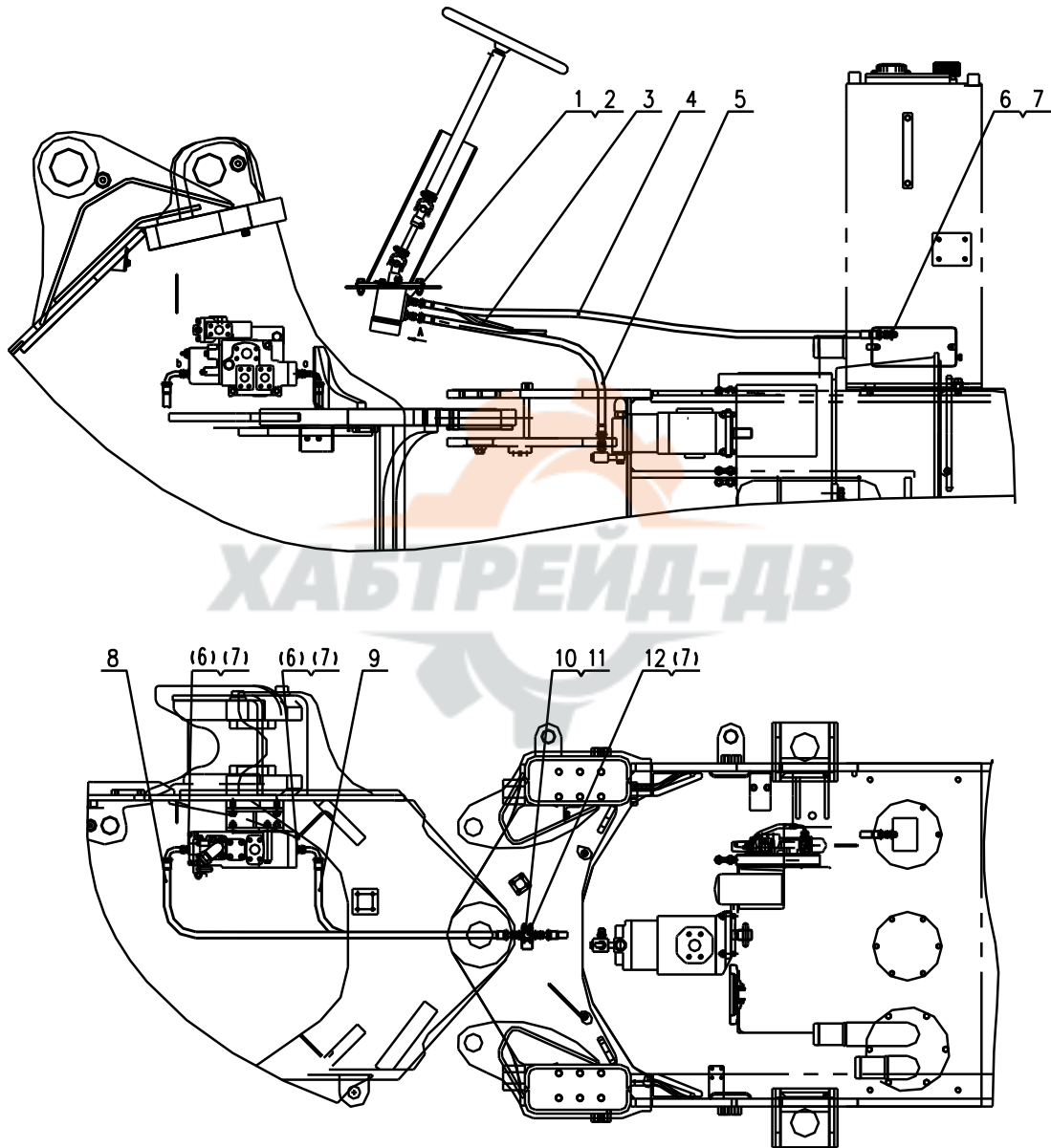
G1

序号	代号	名称		数量	备注
KEY	PART NO.	DESCRIPTION		QTY	REMARKS
1	4041000026	分体法兰 LGB117-310491	FLANGE LGB117-310491	1	
2	4011000475	螺栓 GB16674-M10*30EpZn-8.8	BOLT GB16674-M10*30EpZn-8.8	8	
3	4030000026	O形圈 GB3452.1-32.5*3.55G	O-RING GB3452.1-32.5*3.55G	1	
4	2919000789	转向泵至流量放大阀胶管	PIPE OF FLUX AMPLIFIER TOPUMP	1	
5	4011000447	螺栓 GB16674-M10*20EpZn-8.8	BOLT GB16674-M10*20EpZn-8.8	4	
6	2919000002	转向泵出油胶管管夹	CLAMP OF OUTLET PIPE OF STEERING PUMP	1	
7	2919000792	直通接头体	STRAIGHT JIONT	1	
8	4030000057	垫圈 JB1002-14-T2	WASHER JB1002-14-T2	3	
9	4120000171	双联泵 CBGj2080/1010C-XF	TWO-WAY FLOW PUMP	1	
10	2911000754	泵用密封垫	SEALING PLATE OF PUMP	1	
11	4041000056	分体法兰 LGB117-312550	FLANGE LGB117-312550	1	
12	4030000029	O形圈 GB3452.1-37.5*3.55G	O-RING GB3452.1-37.5*3.55G	1	
13	4012000003	螺柱 GB898-M12*35EpZn-8.8	DOUBLE-SCREW BOLT GB898-M12*35EpZn-8.8	4	
14	4015000168	垫圈 GB97.1-12EpZn-300HV	WASHER GB97.1-12EpZn-300HV	4	
15	4013000011	螺母 GB6170-M12EpZn-8	NUT GB6170-M12EpZn-8	4	
16	4041000650	软管 LGB124-005113	PIPE LGB124-005113	1	
17	4041000150	直接头 LGB120-01814	STRAIGHT JIONT LGB120-01814	1	
18	4041000767	O形圈 LGB168-11124	O-RING LGB168-11124	2	
19	2919000790	双联泵吸油胶管	OIL PIPE OF TWO-WAY FLOW PUMP	1	
20	4017000013	喉箍 JB8870-d90	ADAMS APPLE JB8870-d90	4	
21	2919000791	双联泵吸油钢管	OIL TUBE OF TWO-WAY FLOW PUMP	1	
22	4011000479	螺栓 GB16674-M12*30EpZn-8.8	BOLT GB16674-M12*30EpZn-8.8	4	
23	4030000235	O形圈 GB3452.1-43.7*3.55G	O-RING GB3452.1-43.7*3.55G	1	
24	4041000011	分体法兰 LGB117-314650	FLANGE LGB117-314650	1	
25	2919000793	三通接头	THREE-WAY CONNECTION	1	
26	4011000339	螺栓 JB999-M14*1.5*28EpZn-35	BOLT JB999-M14*1.5*28EpZn-35	1	
27	4041000774	螺塞 LGB135-01422	PLUG SCREW LGB135-01422	1	

G2

转向器总成

STEERING GEAR ASSEMBLY



G2

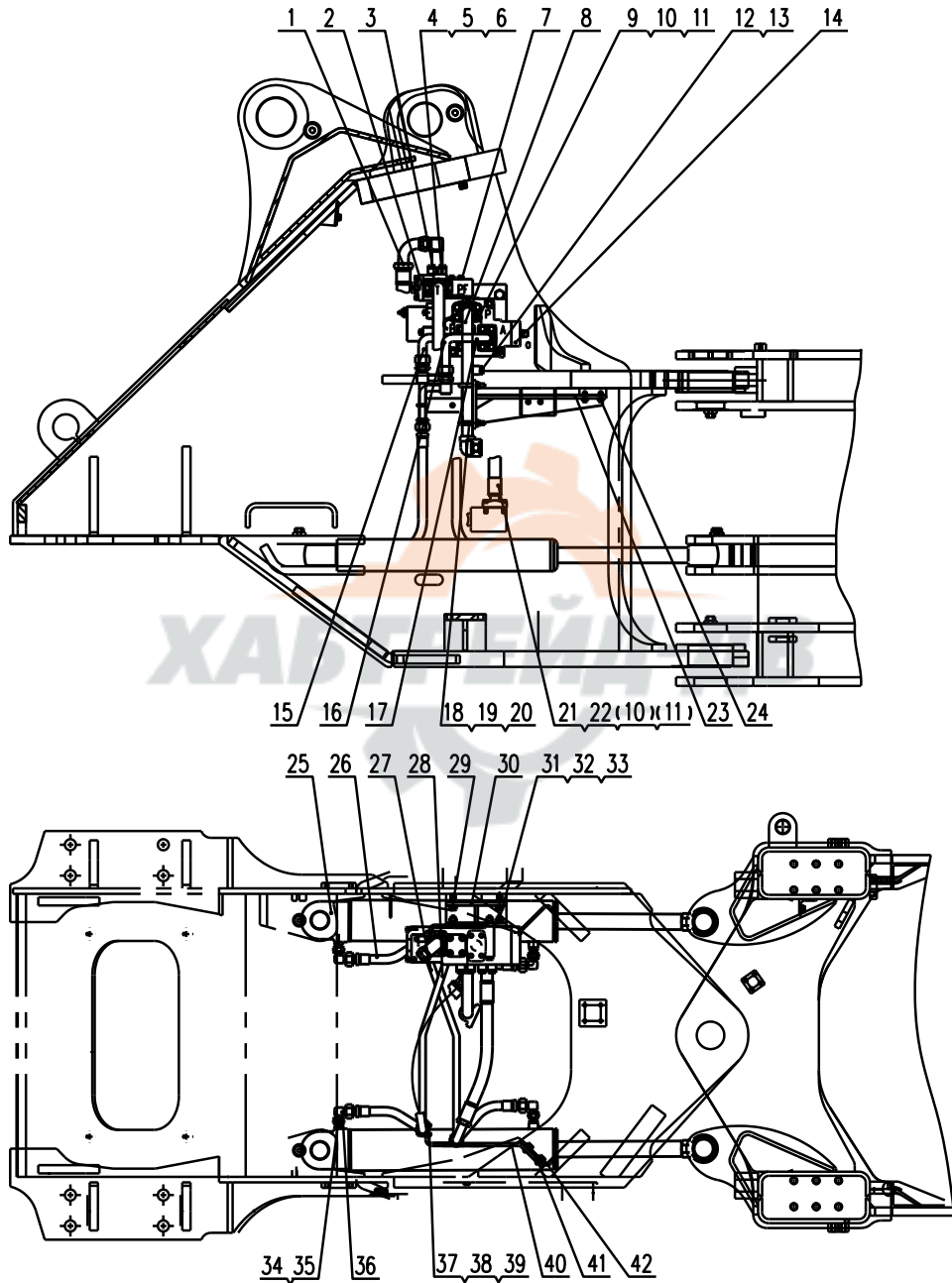
序号	代号	名称		数量	备注
KEY	PART NO.	DESCRIPTION		QTY	REMARKS
1	4041000541	直接头 LGB120-01820	STRAIGHT JIONT LGB120-01820	4	
2	4041000783	O 形圈 LGB168-11724	O-RING LGB168-11724	4	
3	4041000637	软管 LGB124-005070	PIPE LGB124-005070	2	
4	4041000149	软管 LGB124-005180	PIPE LGB124-005180	1	
5	4041000651	软管 LGB124-005093	PIPE LGB124-005093	1	
6	4041000150	直接头 LGB120-01814	STRAIGHT JIONT LGB120-01814	3	
7	4041000767	O 形圈 LGB168-11124	O-RING LGB168-11124	4	
8	4041000638	软管 LGB125-005128	PIPE LGB125-005128	1	
9	4041000639	软管 LGB125-005088	PIPE LGB125-005088	1	
10	4011000447	螺栓 GB16674-M10*20EpZn-8. 8	BOLT GB16674-M10*20EpZn-8. 8	2	
11	2920000004	油路块总成	OIL WAY MASS	1	
12	4041000774	螺塞 LGB135-01422	PLUG SCREW LGB135-01422	1	



G3

转向缸总成

STEERING CYLINDER ASSEMBLY

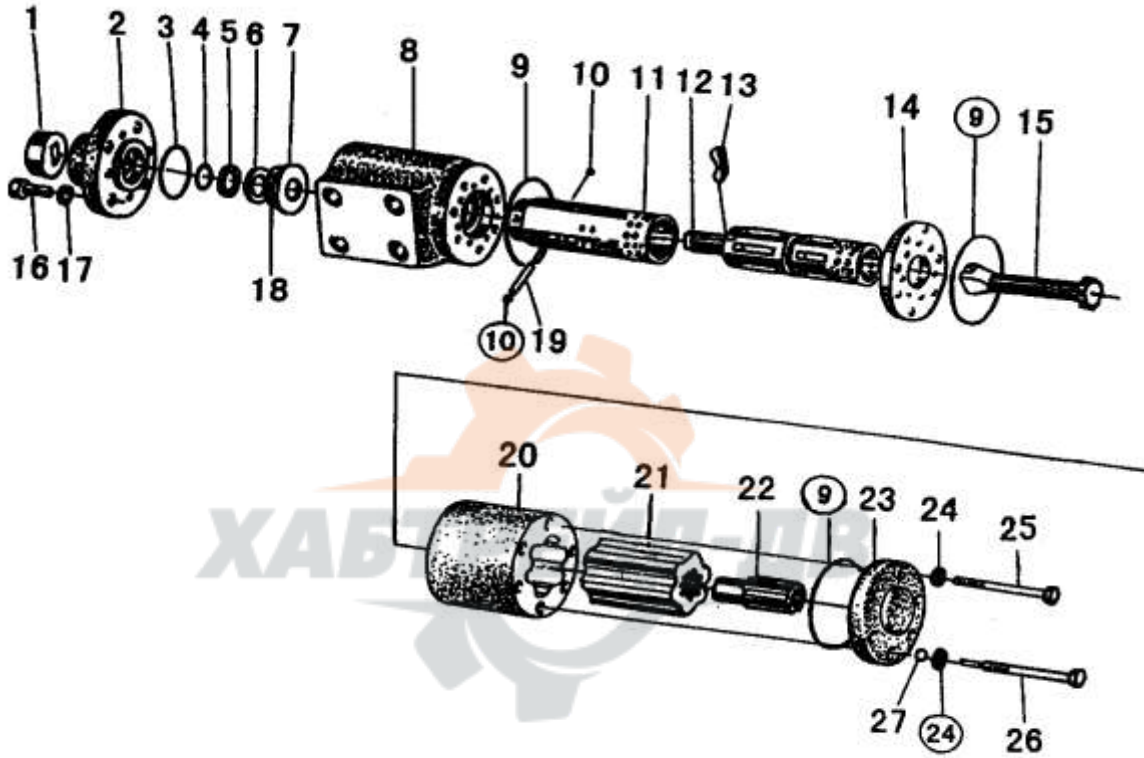


G3

序号	代号	名称	数量	备注
KEY	PART NO.	DESCRIPTION	QTY	REMARKS
1	4041000154	软管 LGB125-014070	1	PIPE LGB125-014070
2	4120000451	卸载阀 SXH25	1	FEATHER VALVE SXH25
3	4030000026	O形圈 GB3452.1-32.5*3.55G	5	O-RING GB3452.1-32.5*3.55G
4	2921000774	弯管接头	1	BEND PIECE
5	4011000475	螺栓 GB16674-M10*30EpZn-8.8	16	BOLT GB16674-M10*30EpZn-8.8
6	4041000026	分体法兰 LGB117-310491	4	FLANGE LGB117-310491
7	4014000144	螺钉 GB70.1-M10*70EpZn-8.8	4	SCREW GB70.1-M10*70EpZn-8.8
8	2921000002	放大阀进油钢管	1	OIL INLET PIPE
9	4041000144	分体法兰 LGB117-312552	2	FLANGE LGB117-312552
10	4011000479	螺栓 GB16674-M12*30EpZn-8.8	12	BOLT GB16674-M12*30EpZn-8.8
11	4030000029	O形圈 GB3452.1-37.5*3.55G	3	O-RING GB3452.1-37.5*3.55G
12	4041000774	螺塞 LGB135-01422	1	PLUG SCREW LGB135-01422
13	4041000767	O形圈 LGB168-11124	1	O-RING LGB168-11124
14	4120000504	流量放大阀 ZLF25A	1	FLUX AMPLIFIER ZLF25A
15	2921000003	放大阀 B口出油胶管	1	OIL-PIPE (B)
16	2921000023	卸载阀回油胶管	1	OIL RETURN PIPE OF FEATHER VALVE
17	2921000004	放大阀 A口出油胶管	1	OIL-PIPE (A)
18	4011000556	U形螺栓 JB/ZQ4321-33Zn-Q235A.F	2	U-BOLT JB/ZQ4321-33Zn-Q235A.F
19	4015000162	垫圈 GB97.1-10EpZn-300HV	4	WASHER GB97.1-10EpZn-300HV
20	4013000007	螺母 GB6170-M10EpZn-8	4	NUT GB6170-M10EpZn-8
21	4041000540	软管 LGB161-012049	1	TUBE LGB161-012049
22	4041000027	分体法兰 LGB117-312551	1	FLANGE LGB117-312551
23	2921000831	支架	1	BRACKET
24	4011000447	螺栓 GB16674-M10*20EpZn-8.8	4	BOLT GB16674-M10*20EpZn-8.8
25	4120000602	转向油缸 HSGL-100*55*435-910	2	STEERING CYLINDERHSGL-100*55*435-910
26	4041000647	软管 LGB124-006063	4	TUBE LGB124-006063
27	2921000006	钢管 A	1	STEEL TUBE (B)
28	2921000007	钢管 B	1	STEEL TUBE (A)
29	4011000542	螺栓 GB16674-M14*25EpZn-8.8	2	BOLT GB16674-M14*25EpZn-8.8
30	2921000008	流量放大阀支架	1	BRACKET OF FLUX AMPLIFIER
31	4011000054	螺栓 GB5782-M12*120EpZn-8.8	3	BOLT GB5782-M12*120EpZn-8.8
32	4013000011	螺母 GB6170-M12EpZn-8	3	NUT GB6170-M12EpZn-8
33	4015000168	垫圈 GB97.1-12EpZn-300HV	3	WASHER GB97.1-12EpZn-300HV
34	4041000143	直接头 LGB120-02222	4	STRAIGHT JOINT LGB120-02222
35	4041000771	O形圈 LGB168-11924	4	O-RING LGB168-11924
36	2921000769	直角组合接头	4	ELBOW
37	4011000555	U形螺栓 JB/ZQ4321-18Zn-Q235A.F	4	U-BOLT JB/ZQ4321-18Zn-Q235A.F
38	4015000207	垫圈 GB97.1-6EpZn-300HV	8	WASHER GB97.1-6EpZn-300HV
39	4013000028	螺母 GB6170-M6EpZn-8	8	NUT GB6170-M6EpZn-8
40	2921000770	支架	2	BRACKET
41	2921000010	橡胶垫	2	RUBBER BLANKET
42	4011000474	螺栓 GB16674-M10*25EpZn-8.8	4	BOLT GB16674-M10*25EpZn-8.8

G4

转向器 STEERING GEAR

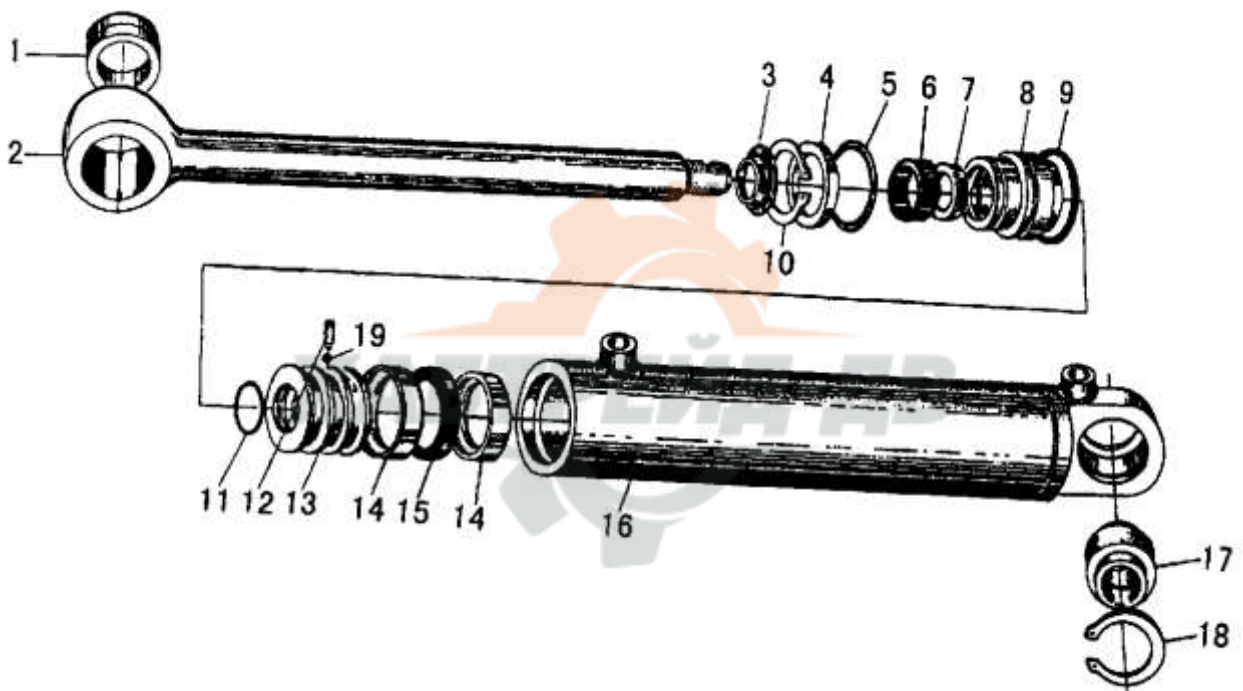


G4

序号	代号	名称		数量	备注
KEY	PART NO.	DESCRIPTION		QTY	REMARKS
1		转向器	CONNECTING BLOCKS MODULE	1	
2		前盖	FRONT COVER	1	
3		O 形圈	O-RING	1	
4		O 形圈	O-RING	1	
5		X 形圈	X-RING	1	
6		垫	GASKET	1	
7		挡环	GASKET	1	
8		阀体	VALVE BLOCK	1	
9		O 形圈	O-RING	3	
10		垫片	GASKET	2	
11		阀套	VALVE SLEEVE	1	
12		阀芯	VALVE STEM	1	
13		弹簧片	SPRING SLIP	6	
14		隔盘	ISOLATING PLATE	1	
15		联动轴	COUPLING SHAFT	1	
16		螺钉	SCREW	4	
17		垫圈	WASHER	4	
18		推力滚针轴承	THRUST NEEDLE BEARING	1	
19		拔销	CENTER PIN	1	
20		定子	STATOR MODULE	1	
21		转子	ROTOR	1	
22		限位柱	STOPPER	1	
23		后盖	REAR COVER	1	
24		组合密封垫	SEAL RING	7	
25		螺栓	BOLT	6	
26		限位螺栓组件	CAGING BOLT MODULE	1	
27		钢球	STEEL BALL	1	

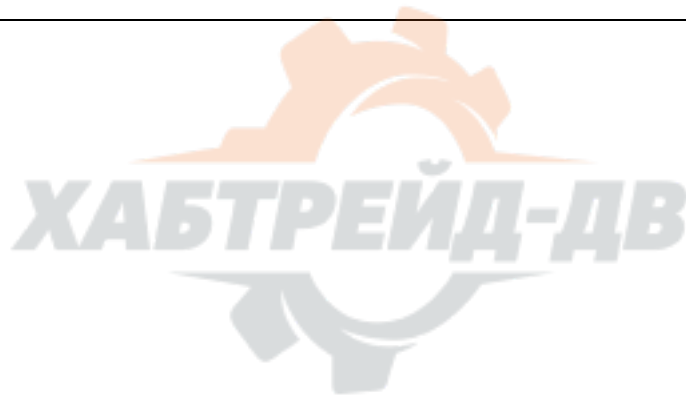
G5

转向油缸 STEERING CYLINDER



G5

序号	代号	名称		数量	备注
KEY	PART NO.	DESCRIPTION		QTY	REMARKS
1		轴套	SHAFT SLEEVE	1	
2		活塞杆	PISTON ROD	1	
3		防尘圈	DUST PROOF RING	1	
4		卡环	LOCK RING	1	
5		挡圈	SNAP RING	1	
6		Yx 型密封圈	Yx-RING SEAL	1	
7		轴用组合封	COMBINED SEAL	1	
8		导向套	ORIENTED SHEATH	1	
9		O 形圈	O-RING	1	
10		挡圈	SNAP RING	1	
11		O 形圈	O-RING	1	
12		螺钉	SCREW	1	
13		活塞	PISTON	1	
14		支撑环	SUPPORTING RING	2	
15		孔用组合封	COMBINED SEAL	1	
16		缸体	CYLINDER BODY	1	
17		关节轴承	SPHERICAL PLAIN BEARING	1	
18		孔用弹性挡圈	RING SNAP	1	
19		钢球	STEEL BALL	1	



H 制动系统 BRAKE SYSTEM

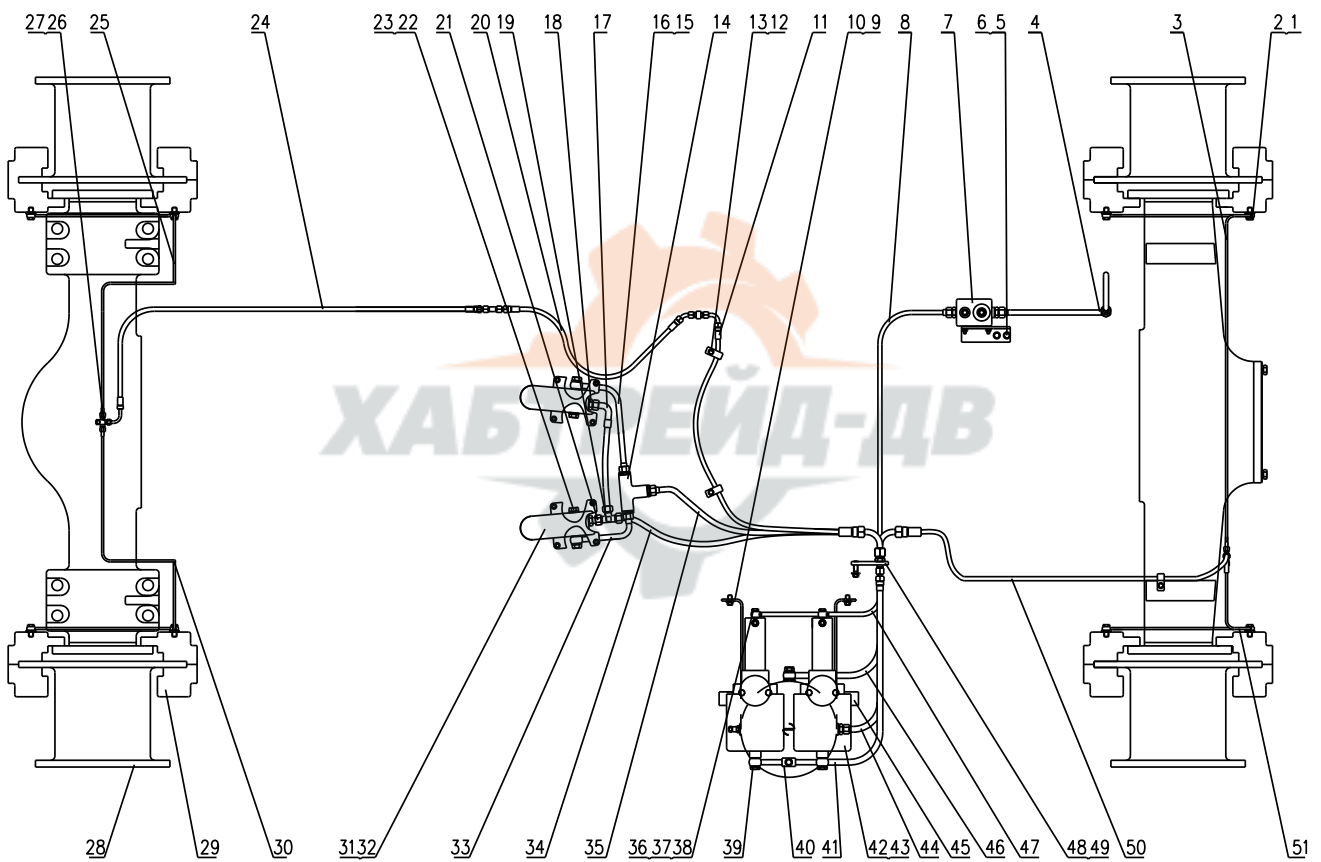


山东临工工程机械有限公司
SHANDONG LINGONG CONSTRUCTION MACHINERY LTD.

H1

行车制动系统

SERVICE BRAKE SYSTEM

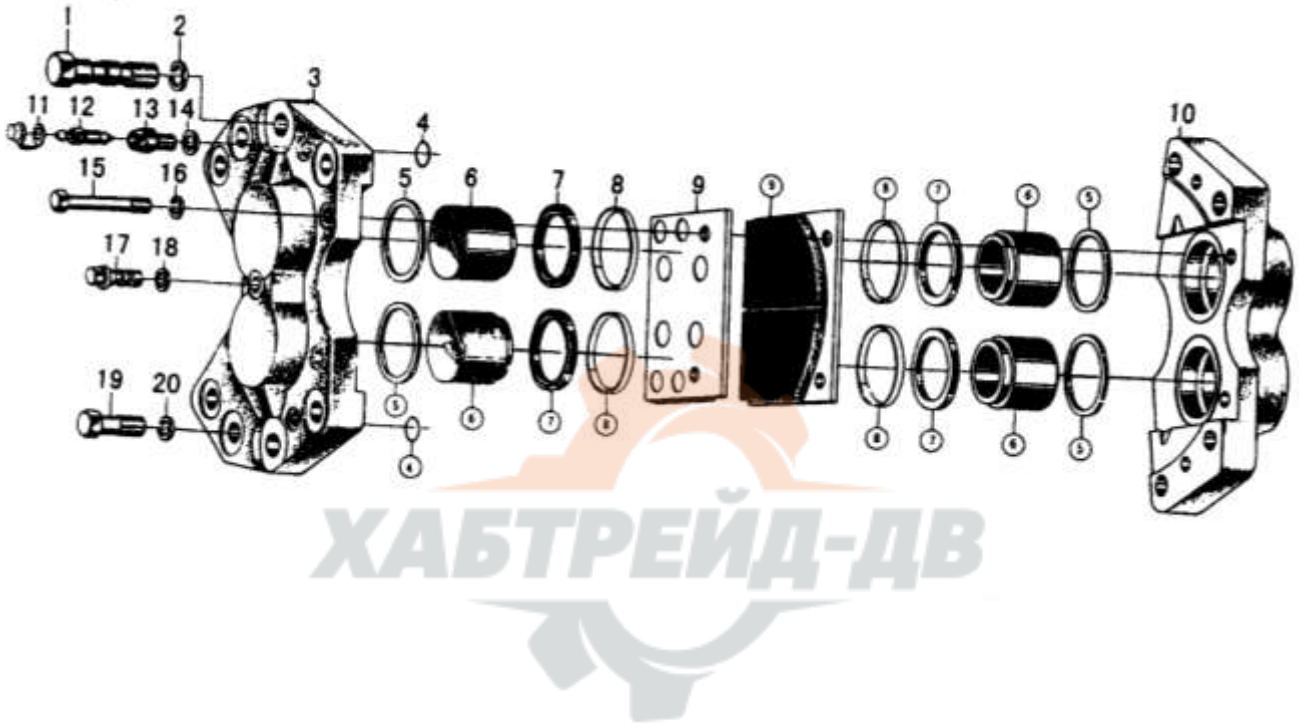


H1

序号	代号	名称		数量	备注
KEY	PART NO.	DESCRIPTION		QTY	REMARKS
1	2922000002	垫圈	WASHER	18	
2	2922000003	制动器管接头	CONNECTER	8	
3	2922000004	后桥右油管	TUBE OF REEAR AXLE (RIGHT)	1	
4	2901000756	气管	TUBE	1	
5	4011000474	螺栓 GB16674-M10*16EpZn-8.8	BOLT GB16674-M10*16EpZn-8.8	2	
6	2901000924	支承板	SHOE PLATE	1	
7	4120000084	油水分离器组合阀 ST-50G	AIR DRYER ST-50G	1	
8	2901000919	气管	TUBE	1	
9	2922000053	储气罐	AIR RESERVOIR	1	
10	4011000560	螺栓 GB16674-M12*25EpZn-8.8	BOLT GB16674-M12*25EpZn-8.8	4	
11	2922000057	前桥油管	TUBE TO FRONT AXLE	1	
12	4011000461	螺栓 GB16674-M8*16EpZn-8.8	BOLT GB16674-M8*16EpZn-8.8	4	
13	2901000003	管夹	CLIP	4	
14	4120000248	梭阀 SF-50G	SHUTTLE VALVE SF-50G	1	
15	4041000998	软管 LGB149-004041	TUBE LGB149-004041	1	
16	2901000005	垫圈	WASHER	18	
17	2922000773	气管	TUBE	1	
18	2901000007	二通接头	CONNECTER	3	
19	2922000770	三通接头	TEE OF THE OIL LINE	1	
20	2922000753	中部油管	FORERUNNER TUBE	1	
21	2922000769	接头	JOINT	1	
22	4030000055	螺塞 JB1000-M22*1.5-35	BOLT JB1000-M22*1.5-35	2	
23	2901000006	垫圈	WASHER	16	
24	2922000011	制动油管	TUBE OF BRAKE	1	
25	2922000047	前桥右油管	TUBE OF FRONT AXLE (RIGHT)	1	
26	2922000013	三通接头	TEE OF THE OIL LINE	2	
27	4011000455	螺栓 GB16674-M8*25EpZn-8.8	BOLT GB16674-M8*25EpZn-8.8	6	
28	2907000007	制动盘	BRAKE DISC	4	
29	4110000012	ZL40 盘式制动器 LG09-ZDQ	ZL40 DISC BRAKE LG09-ZDQ	8	
30	2922000049	前桥左油管	TUBE OF FRONT AXLE (LEFT)	1	
31	4120001795	气制动阀 LY60F	BRAKE VALVE LY60F	1	
32	4130000521	制动灯开关 YK209K	BRAKE LAMP SWITCH YK209K	1	
33	2922000771	转换钢管	TUBE	1	
34	2922000058	制动阀至储气罐气管	TUBE TO AIR RESERVOIR	1	
35	2922000778	至加力泵气管	TUBE TO BOOSTER	1	
36	2922000016	加力泵管接头	CONNECTER	2	
37	2922000017	垫圈	WASHER	2	
38	2922000812	前加力泵油管	TUBE TO FRONT BOOSTER	1	
39	2901000004	螺栓	BOLT	5	
40	2922000015	三通管	TEE OF THE OIL LINE	1	
41	2922000813	加力泵至制动阀气管	TUBE TO BRAKE VALVE	1	
42	4120000675	加力泵 LG22-JLB	BOOSTER LG22-JLB	2	
43	4011000474	螺栓 GB16674-M10*25EpZn-8.8	BOLT GB16674-M10*25EpZn-8.8	4	
44	2901001137	气管	TUBE	1	
45	2922000069	托板	SPLINT	1	
46	2922000068	储气罐至隔板气管	TUBE	1	
47	2922000814	后加力泵油管	TUBE TO BACK BOOSTER	1	
48	2922000064	制动二通管组	TUBE OF BRAKE	1	
49	4011000477	螺栓 GB16674-M12*35EpZn-8.8	BOLT GB16674-M12*35EpZn-8.8	2	
50	2922000063	后桥油管	TUBE TO REAR AXLE	1	
51	2922000018	后桥左油管	TUBE OF REEAR AXLE (LEFT)	1	

H2

盘式制动器 DISK BRAKE



H2

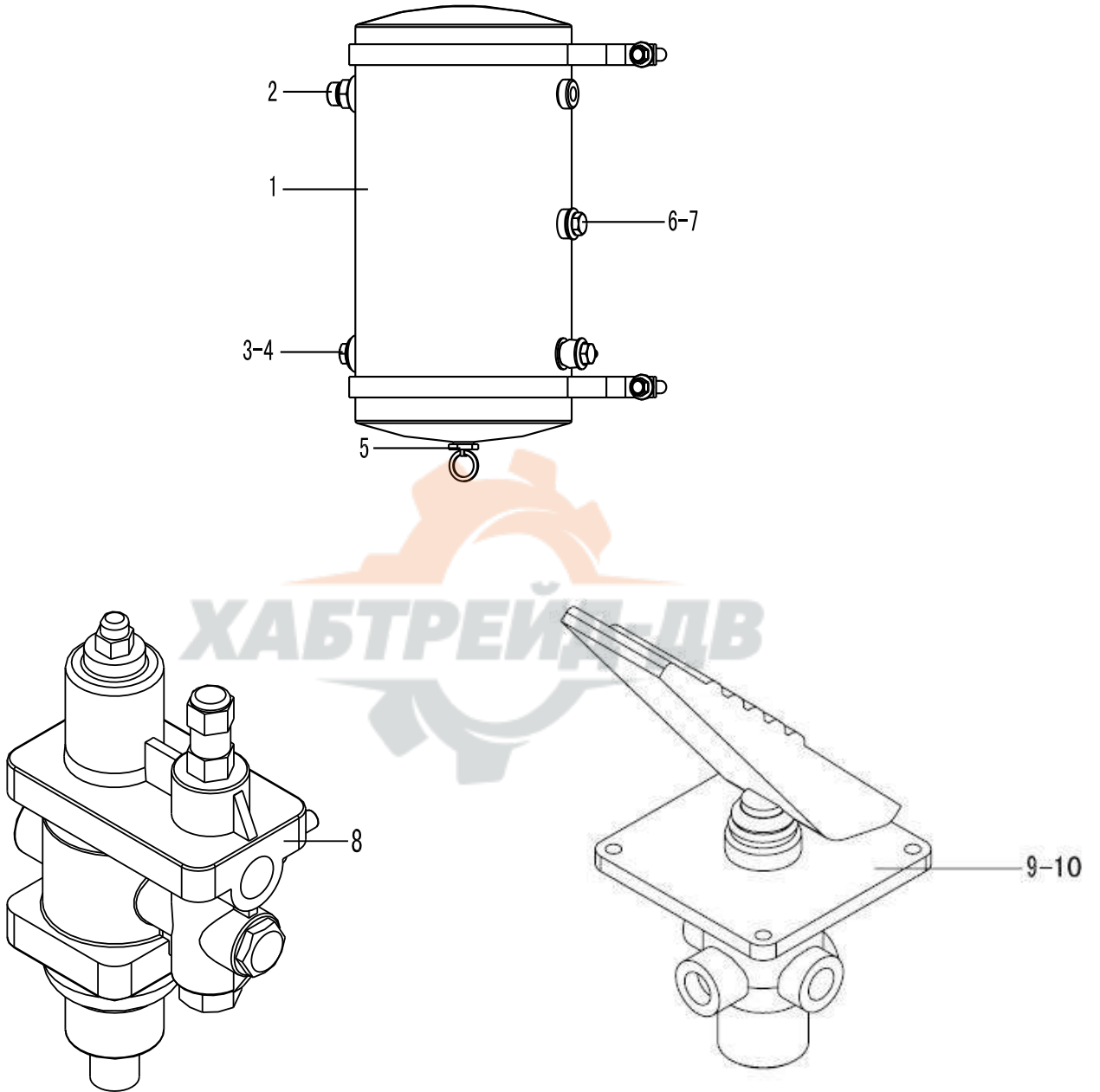
序号	代号	名称		数量	备注
KEY	PART NO.	DESCRIPTION		QTY	REMARKS
1		螺栓	BOLT	4	
2		垫圈 22	WASHER 22	4	
3		内钳	INTERNAL PLIERS	1	
4		O 形圈 20*2.4	O-RING 20*2.4	2	
5		矩形密封圈	SQUQRE SEAL	4	
6		活塞	PISTON	4	
7		防尘罩	DUST	4	
8		卡圈	RETAINER RING	4	
9		制动片	BRAKE SHOE	4	
10		外钳	EXTERNAL PLIERS	1	
11		橡皮帽	RUBBER COVER	2	
12		放气嘴	AIR BLEEDER	2	
13		接头	CONNECTOR	2	
14		O 形圈 16*2.4	O-RING 16*2.4	2	
15		螺栓销	BOLT PIN	2	
16		垫圈 10	WASHER 10	2	
17		管接头	TUBE CONNECTOR	1	
18		垫圈	WASHER	1	
19		螺栓	BOLT	4	
20		垫圈 20	WASHER 20	4	



H3

储气罐、制动阀、油水分离器

AIR RESERVOIR, BRAKE CONTROL VALVE, AIR DRYER



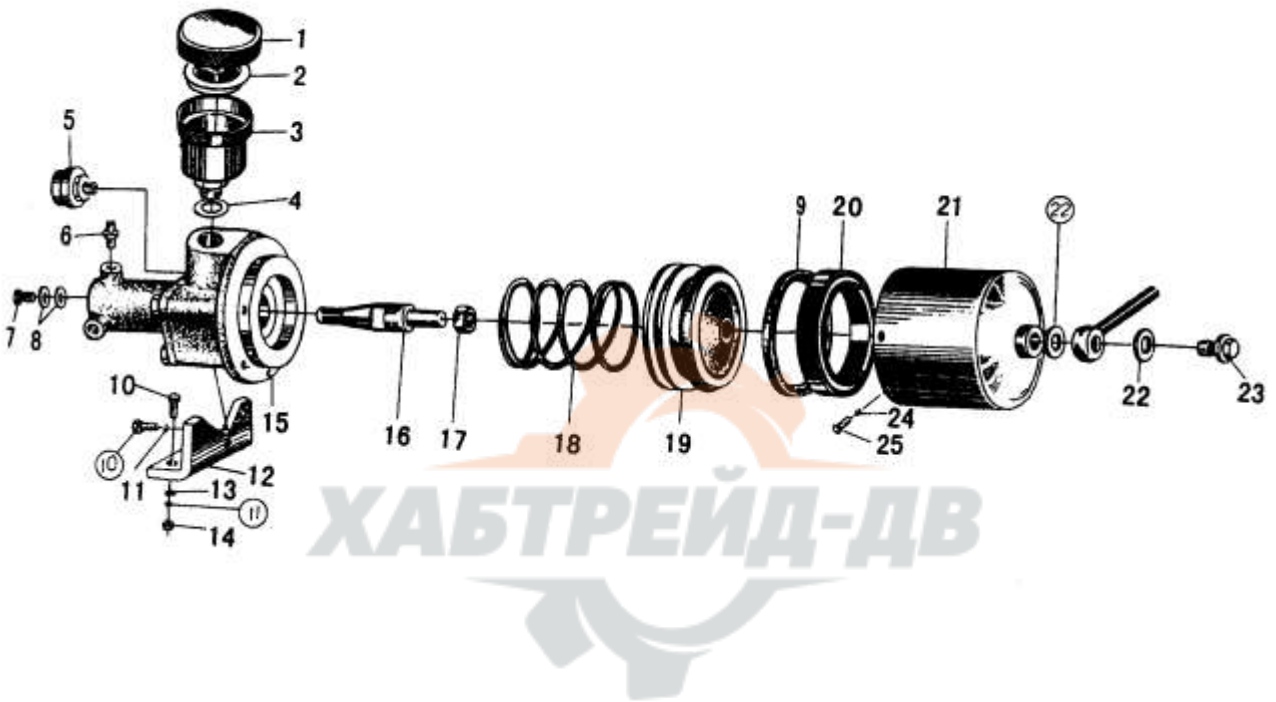
H3

序号	代号	名称		数量	备注
KEY	PART NO.	DESCRIPTION		QTY	REMARKS
1	2922000054	罐体	AIR RESERVOIR	1	
2	4120000065	安全阀	SAFETY VALVE	1	
3	4120000742	轮胎充气阀	CHARGE VALVE FOR TIRE	1	
4	2901000006	垫圈	WASHER	2	
5	4120000066	791 手动放水阀	791-WATER DRAIN VALVE	1	
6	4030000311	螺塞 JB1000-M10*1-35	PLUG JB1000-M10*1EpZn-35	1	
7	2923000014	垫圈	WASHER	1	
8	4120000084	油水分离器组合阀 ST-50G	COMBINED VALVE FOR WATER SEPARATOR	1	
9	4120001795	气制动阀 LY60F	BRAKE VALVE LY60F	1	
10	4130000521	制动灯开关 YK209K	BRAKE LAMP SWITCH YK209K	1	



H4

加力泵总成 BRAKE BOOSTER



H4

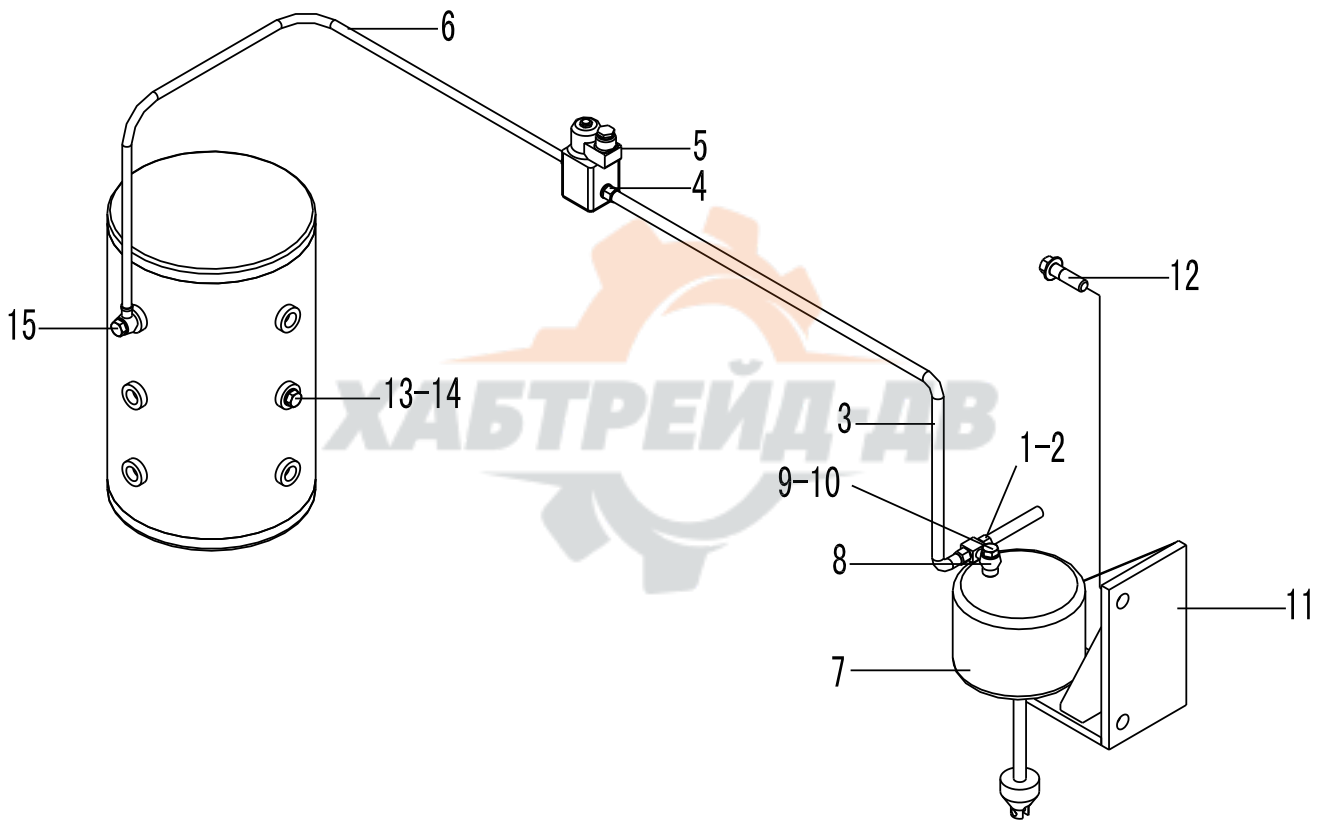
序号	代号	名称		数量	备注
KEY	PART NO.	DESCRIPTION		QTY	REMARKS
1		油杯盖	OIL RESERVOIR COVER	2	
2		过滤套	FILTER SLEEVE	2	
3		油杯体	OIL RESERVOIR	2	
4		O形圈 40*3.1	O-RING 40*3.1	2	
5		放气嘴	AIR BLEEDER	2	
6		接头	CONNECTOR	2	
7		管接头	FITTING	2	
8		垫圈	WASHER	4	
9		密封圈	SEALING WASHER	2	
10		螺栓 M10*20-Ep·Zn	BOLT M10*20-Ep·Zn	8	
11		垫圈 10	LOCK WASHER 10	8	
12		支架	BRACKET	2	
13		垫圈 10	WASHER 10	8	
14		螺母 M10	NUT M10	4	
15		制动总泵	BRAKE MAIN PUMP	2	
16		推杆	PUSH ROD	2	
17		螺母 M12*1.5	NUT M12*1.5	2	
18		弹簧	SPRING	2	
19		活塞	PISTON	2	
20		YX形密封圈	YX-RING SEAL	2	
21		加力缸	BOOSTING TANK	2	
22		垫圈	WASHER	4	
23		螺栓	BOLT	2	
24		垫圈 8	WASHER 8	12	
25		螺栓 M8*16	BOLT M8*16	12	



H5

驻车制动系统

PARKING BRAKE SYSTEM



H5

序号	代号	名称		数量	备注
KEY	PART NO.	DESCRIPTION		QTY	REMARKS
1	413000055	气压信号灯开关	SWITCH	1	
2	290100005	垫圈	WASHER	1	
3	2923000773	电磁阀出气管	PIPE	1	
4	2923000012	接头体	CONNECTER	2	
5	4120000759	制动电磁阀	BRAKE VALVE	1	
6	2923000013	电磁阀进气管	PIPE	1	
7	4120000506	驻车制动气室	AIR RESERVOIR	1	
8	2923000015	三通块	THREE-WAY PIPE	1	
9	4011000339	螺栓 JB999-M14*1.5*28-35	BOLT JB999-M14*1.5*28-35	1	
10	2923000003	垫圈	WASHER	2	
11	2923000752	支架	BRACKET	1	
12	4011000168	螺栓 GB5783-M20*40EpZn-8.8	BOLT GB5783-M20*40EpZn-8.8	2	
13	4120000760	压力开关	SWITCH	1	
14	2923000014	垫圈	WASHER	3	
15	4011000283	螺栓 JB999-M10*1*18-35	BOLT JB999-M10*1*18-35	1	

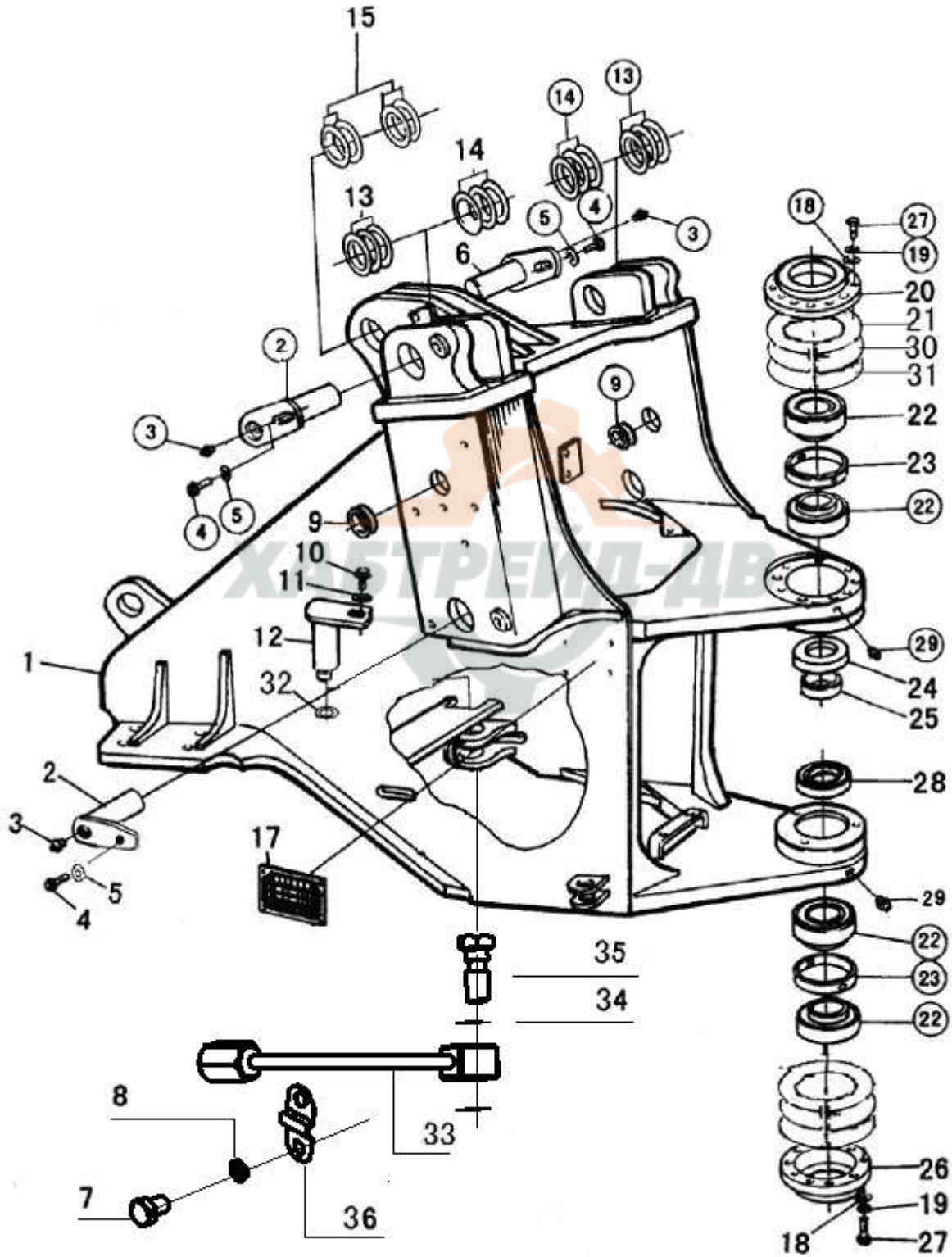


I 车架 FRAME



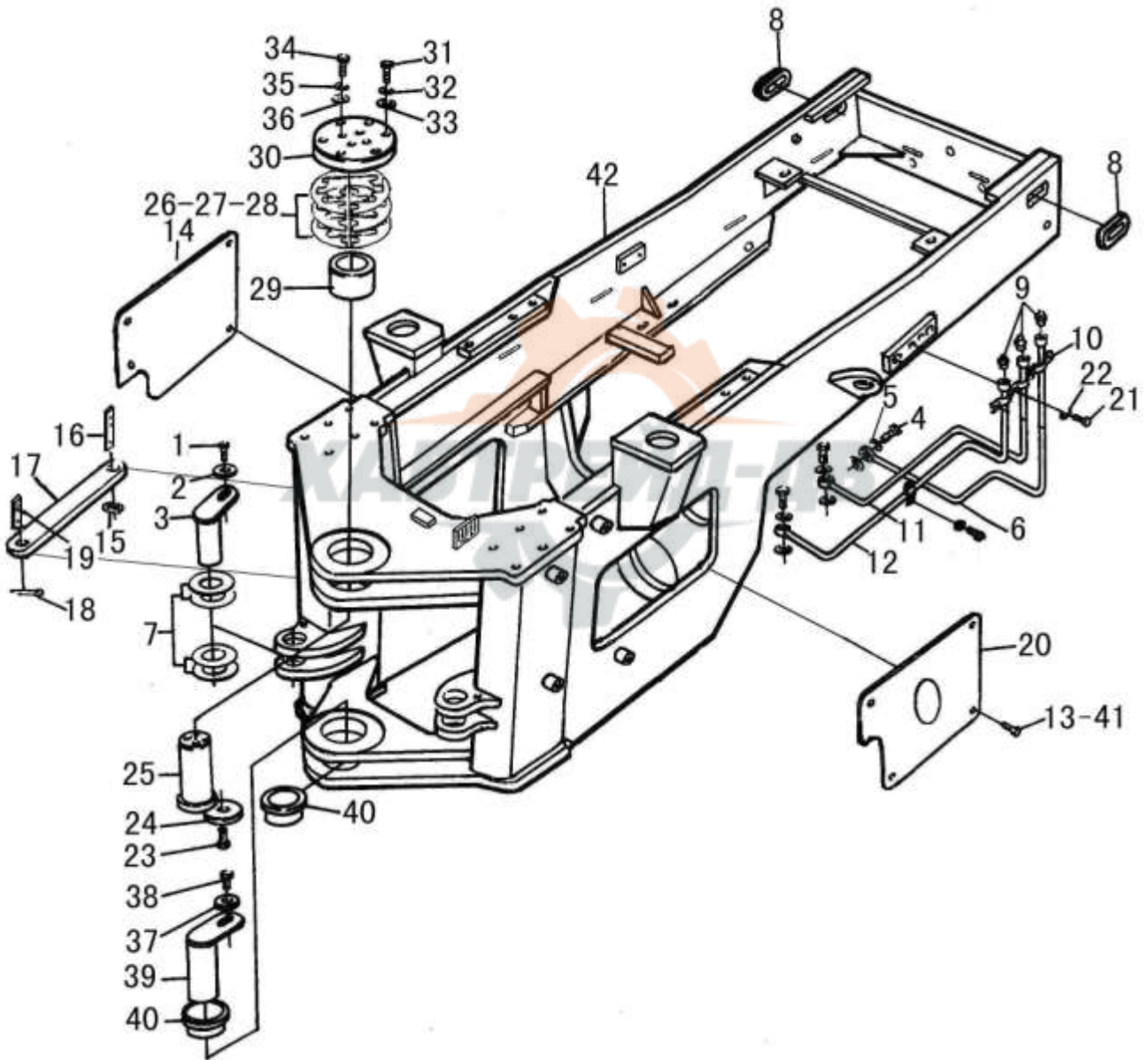
山东临工工程机械有限公司
SHANDONG LINGONG CONSTRUCTION MACHINERY LTD.

前车架总成 FRONT FRAME



序号	代号	名称		数量	备注
KEY	PART NO.	DESCRIPTION		QTY	REMARKS
1	2924000790	前车架	FRONT FRAME	1	
2	4043000213	销轴 LGB301-95*165*350-40Cr	PIN LGB301-95*165*350-40Cr	4	
3	4030000065	油杯 JB7940. 1-M10*1	GREASE NIPPLE JB7940. 1-M10*1	7	
4	4011000094	螺栓 GB5783-M16*30EpZn-8. 8	BOLT GB5783-M16*30EpZn-8. 8	5	
5	4040000002	垫圈 LGB001-16*50*6	WASHER LGB001-16*50*6	5	
6	4043000214	销轴 LGB301-110*132*250G-40Cr	PIN LGB301-110*132*250G*40Cr	1	
7	4014000024	螺钉 GB818-M6*10EpZn-4. 8	SCREW GB818-M6*10EpZn-4. 8	4	
8	4015000035	垫圈 GB93-6-65Mn	WASHER GB93-6-65Mn	4	
9	2925000135	走线胶套	RUBBER SLEERING	4	
10	4011000197	螺栓 GB5783-M12*25EpZn-8. 8	BOLT GB5783-M12*25EpZn-8. 8	2	
11	4040000001	垫圈 LGB001-12*45*6	WASHER LGB001-12*45*6	2	
12	2925000812	焊接销轴	WELDING PIN	2	
13	4043000040	垫片 LGB303-95*160*1	SPACER LGB303-95*160*1	8	
14	4043000041	垫片 LGB303-95*160*2	SPACER LGB303-95*160*2	8	
15	4043000043	垫片 LGB303-110*180*1	SPACER LGB303-110*180*1	4	
16	4019000012	铆钉 GB827-3*5-BL2	RIVET GB827-3*5-BL2	4	
17	2936000938	标牌 LGB402-A1/LG968	NAME PLATE	1	
18	4015000016	垫圈 GB93-12-65Mn	WASHER GB93-12-65Mn	40	
19	4015000168	垫圈 GB97. 1-12EpZn-300HV	WASHER GB97. 1-12EpZn-300HV	40	
20	2925000009	盘	DISC	2	
21	2925000008	垫片	SPACER	12	
22	4021000058	轴承 GB297-33116	BEARING GB297-33116	4	
23	2925000005	间隔套	BUSH	2	
24	4043000057	防尘圈 LGB307-95	DUST RING LGB307-95	2	
25	2925000004	套	BUSH	1	
26	2925000015	盘	DISC	2	
27	4011000061	螺栓 GB5782-M12*35EpZn-8. 8	BOLT GB5782-M12*35EpZn-8. 8	40	
28	4043000256	密封圈 GB9877. 1-B80*150*10	SEAL RING GB9877. 1-B80*150*10	2	
29	4030000101	油杯 JB7940. 2-45°M10*1	GREASE NIPPLE JB7940. 2-45°M10*1	2	
30	2925000006	垫片	SPACER	16	
31	2925000007	垫片	SPACER	4	
32	4043000032	垫片 GB303-50*90*1	SPACER GB303-50*90*1	4	
33	2925000787	前转向销润滑油管	OIL TUBE	2	
34	2925000030	垫片	SPACER	4	
35	2925000029	通油螺栓	OIL BOLT	2	
36	2925000031	管夹	PIPE CLIP	2	

后车架总成 REAR FRAME

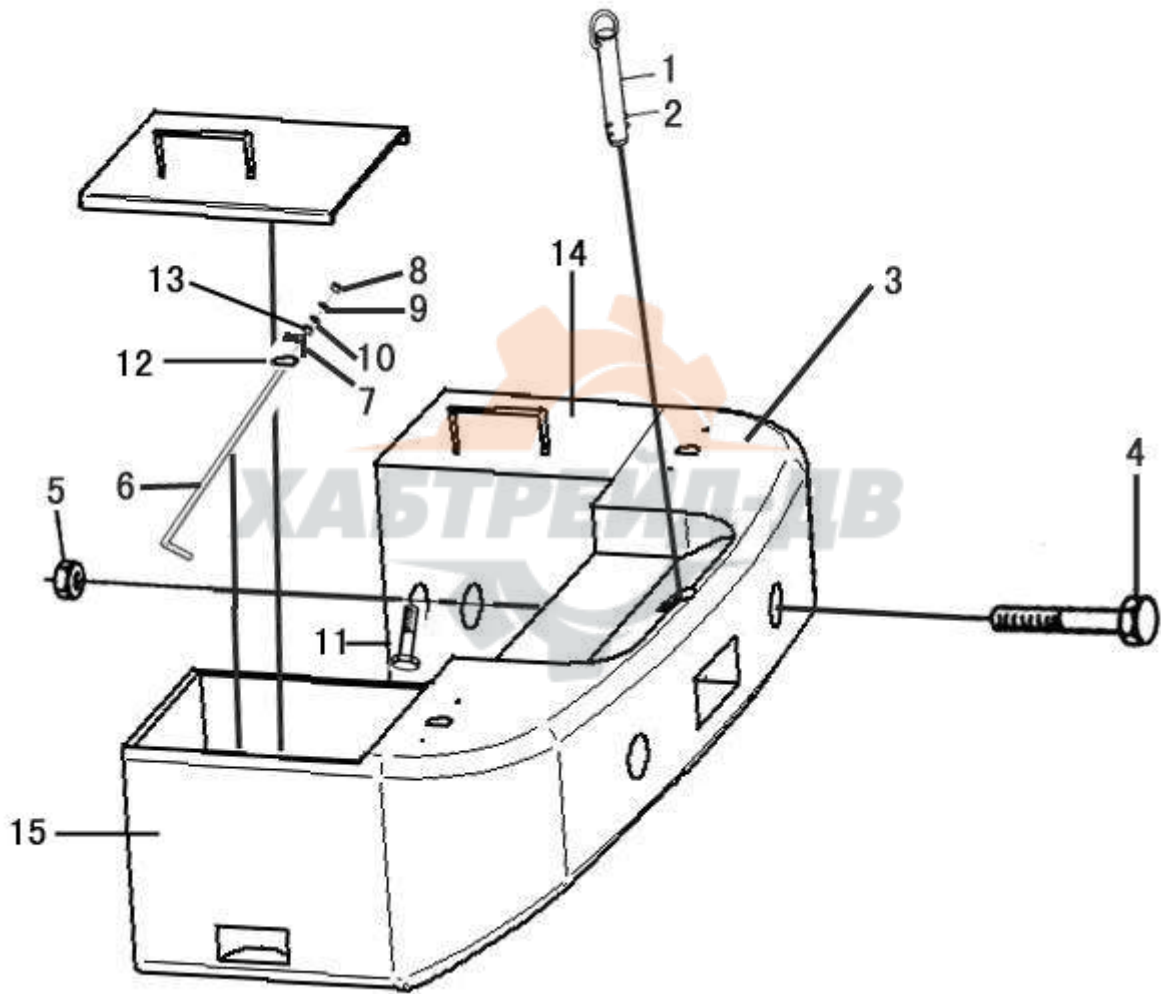


12

序号	代号	名称		数量	备注
KEY	PART NO.	DESCRIPTION		QTY	REMARKS
1	4011000197	螺栓 GB5783-M12*25EpZn-8.8	BOLT GB5783-M12*25EpZn-8.8	2	
2	4040000001	垫圈 LGB001-12*45*6	WASHER LGB001-12*45*6	2	
3	4043000009	销轴 LGB301-50d9*78R*140G-40Cr	PIN LGB301-50d9*78R*140G-40Cr	2	
4	2925000029	通油螺栓	OIL BOLT	3	
5	2925000030	垫片	SPACER	6	
6	2927000002	油管	OIL TUBE	1	
7	4043000032	垫片 LGB303-50*90*1	SPACER LGB303-50*90*1	4	
8	2927000003	走线胶套	RUBBER SLEEVE	2	
9	4030000065	油杯 JB7940.1-M10*1	OIL TUBE JB7940.1-M10*1	5	
10	2925000031	管夹	CLIP	4	
11	2927000004	油管	OIL TUBE	1	
12	2927000005	油管	OIL TUBE	1	
13	4011000102	螺栓 GB5783-M8*16EpZn-8.8	BOLT GB5783-M8*16EpZn-8.8	8	
14	2927000767	板	PLATE	1	
15	2927000008	卡环	HOLDING RING	1	
16	2927000009	锁定杆后销轴	REAR PIN OF MOUNT BAR	1	
17	2927000011	锁定杆	MOUNT BAR	1	
18	4016000043	开口销 GB91-8*80EpZn-Q235A	SPLIT PIN GB91-8*80EpZn-Q235A	1	
19	2927000012	锁定杆前销轴	FRONT PIN OF MOUNT BAR	1	
20	2927000766	板	PLATE	1	
21	4014000024	螺钉 GB818-M6*10EpZn-4.8	SCREW GB818-M6*10EpZn-4.8	6	
22	4015000035	垫圈 GB93-6-65Mn	WASHER GB93-6-65Mn	6	
23	4011000197	螺栓 GB5783-M12*25EpZn-8.8	BOLT GB5783-M12*25EpZn-8.8	3	
24	2925000002	盘	DISC	1	
25	2925000003	上铰接销	UP ARTICULATION PIN	1	
26	2925000010	垫片	SPACER	4	
27	2925000011	垫片	SPACER	4	
28	2925000012	垫片	SPACER	4	
29	2925000013	套	BUSH	1	
30	2925000014	盘	DISC	1	
31	4011000064	螺栓 GB5782-M12*50EpZn-8.8	BOLT GB5782-M12*50EpZn-8.8	6	
32	4015000026	垫圈 GB93-12-65Mn	WASHER GB93-12-65Mn	6	
33	4015000168	垫圈 GB97.1-12EpZn-300HV	WASHER GB97.1-12EpZn-300HV	6	
34	4011000069	螺栓 GB5782-M16*90EpZn-8.8	BOLT GB5782-M16*90EpZn-8.8	4	
35	4015000098	垫圈 GB93-16-65Mn	BOLT GB93-16-65Mn	4	
36	4015000181	垫圈 GB97.1-16EpZn-300HV	WASHER GB97.1-16EpZn-300HV	4	
37	4040000002	垫圈 LGB001-16*50*6	WASHER LGB001-16*50*6	1	
38	4011000093	螺栓 GB5783-M16*25EpZn-8.8	BOLT GB5783-M16*25EpZn-8.8	1	
39	2925000016	下铰接销	DOWN ARTICULATION PIN	1	
40	2925000017	套	BUSH	2	
41	4015000256	垫圈 GB96.1-8EpZn-300HV	WASHER GB96.1-8EpZn-300HV	8	
42	2926000927	后车架	REAR FRAME	1	

13

配重铁总成 COUNTER WEIGHT



13

序号	代号	名称		数量	备注
KEY	PART NO.	DESCRIPTION		QTY	REMARKS
1	2928000002	牵引销	TRACTIVE PIN	1	
2	2928000003	卡环	HOLDING RING	1	
3	2928000753	后平衡铁	COUNTER WEIGHT	1	
4	4011000245	螺栓 GB5785-M30*2*245-8.8	BOLT GB5785-M30*2*245-8.8	4	
5	4013000064	螺母 GB889.2-M30*2-8	NUT GB889.2-M30*2-8	4	
6	2928000007	锁紧螺杆	BOLT OF MOUNT BAR	4	
7	2928000008	锁紧角钢	MOUNT BAR	2	
8	4013000033	螺母 GB6170-M8EpZn-8	NUT GB6170-M8EpZn-8	4	
9	4015000036	垫圈 GB93-8-65Mn	WASHER GB93-8-65Mn	4	
10	4015000072	垫圈 GB97.1-8EpZn-300HV	WASHER GB97.1-8EpZn-300HV	4	
11	4011000148	螺栓 GB16674-M16*40EpZn-8.8	BOLT GB16674-M16*30EpZn-8.8	8	
12	2928000005	侧胶垫	MAT OF PASTERN	4	
13	2928000006	下胶垫	MAT OF PASTERN	4	
14	2928000015	右平衡铁	RIGHT COUNTER WEIGHT	1	
15	2928000014	左平衡铁	LEFT COUNTER WEIGHT	1	



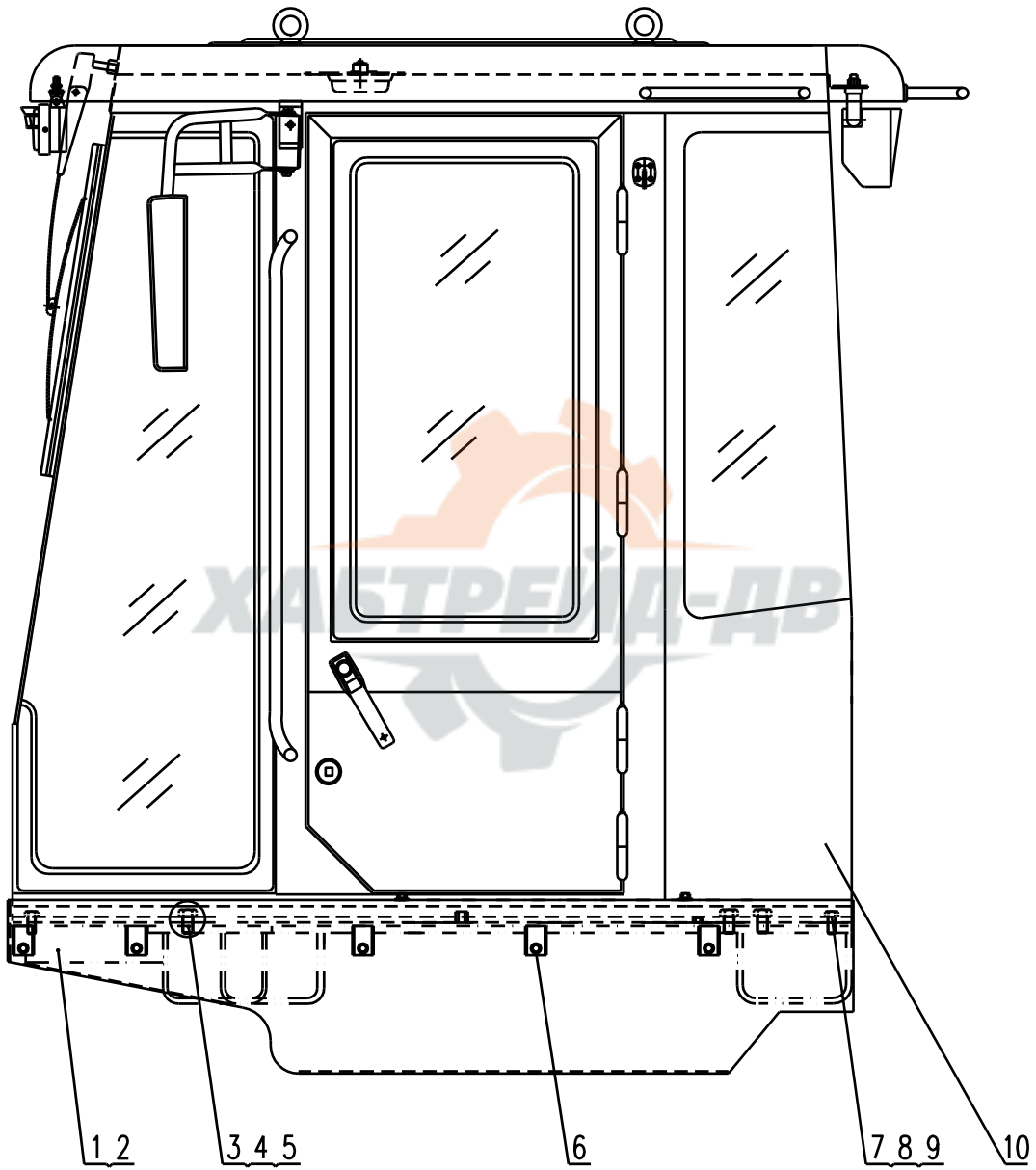
J 驾驶室
CAB GROUP



山东临工工程机械有限公司
SHANDONG LINGONG CONSTRUCTION MACHINERY LTD.

J1

驾驶室总成 CAB GROUP



J1

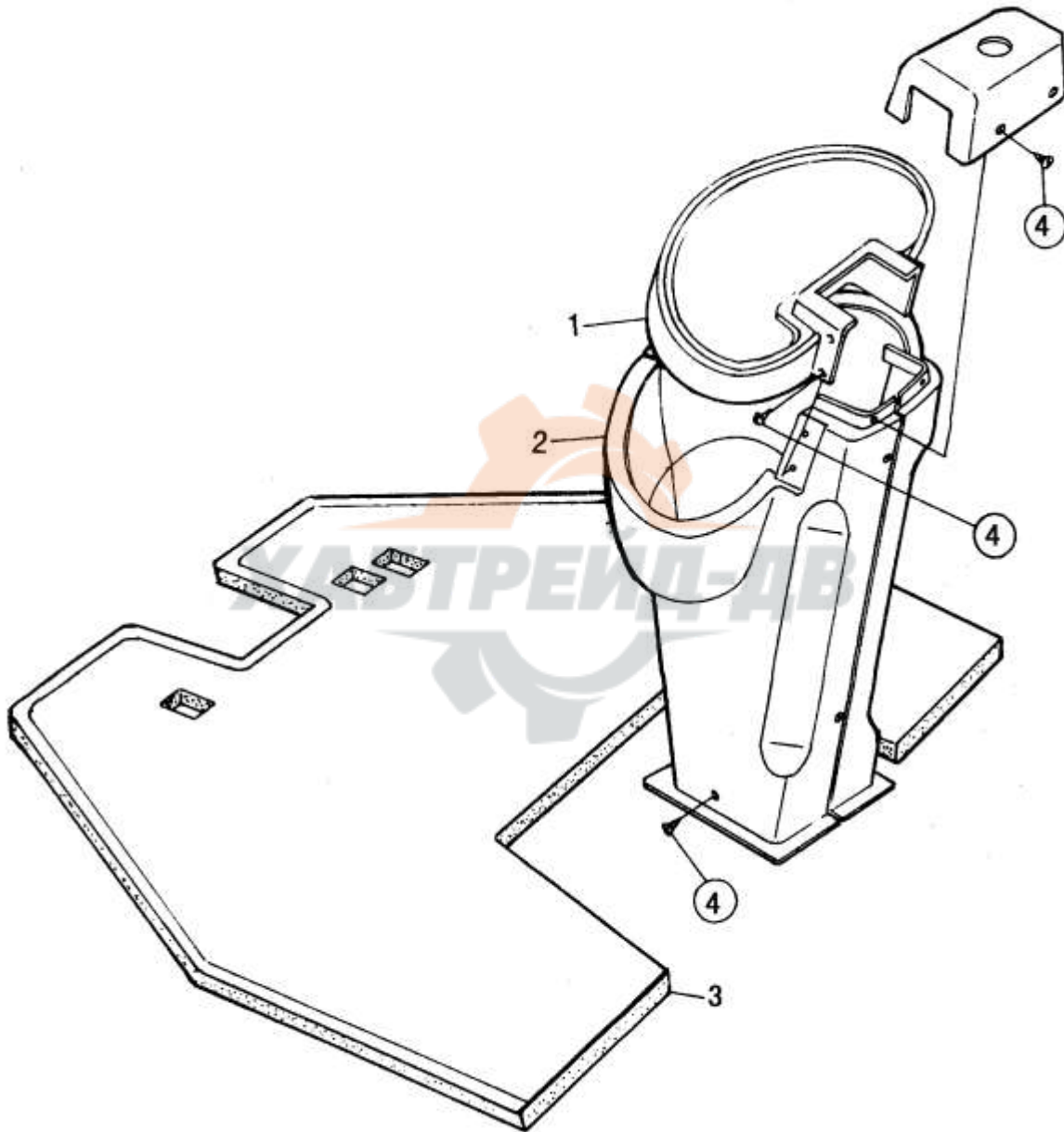
序号	代号	名称		数量	备注
KEY	PART NO.	DESCRIPTION		QTY	REMARKS
1	2929000003	右挡板	RIGHT BAFFLE	1	
2	2929000764	挡板	BAFFLE	1	
3	4011000534	螺栓 GB5782-M16*100EpZn-8.8	BOLT	6	
4	4015000181	垫圈 GB97.1-16EpZn-300HV	WASHER GB97.1-16EpZn-300HV	6	
5	4015000098	垫圈 GB93-16-65Mn	WASHER GB93-16-65Mn	6	
6	4011000153	螺栓 GB16674-M6*16EpZn-8.8	BOLT	10	
7	4011000335	螺栓 GB5782-12*100EpZn-8.8	BOLT GB5782-12*100EpZn-8.8	4	
8	4015000168	垫圈 GB97.1-12EpZn-300HV	WASHER GB97.1-12EpZn-300HV	4	
9	4015000026	垫圈 GB93-12-65Mn	WASHER GB93-12-65Mn	4	
10	2929000004	驾驶室 LG956.00	CAB GROUP LG956.00	1	



J2

驾驶室内饰

CAB INTERIOR DECORATION



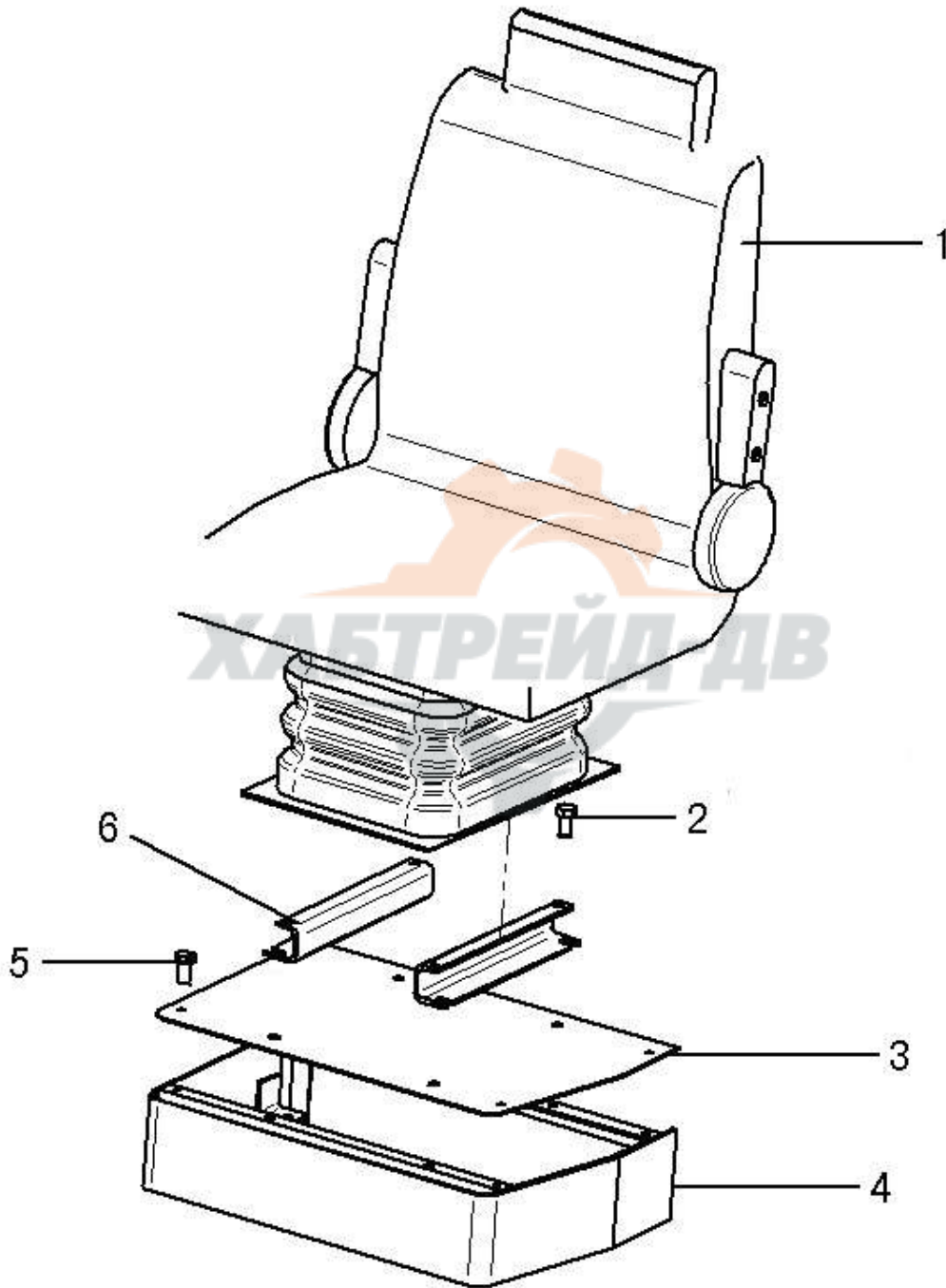
J2

序号	代号	名称		数量	备注
KEY	PART NO.	DESCRIPTION		QTY	REMARKS
1	2937001227	仪表盘总成 Y958CK	PANEL Y958CK	1	
2	4190000636	可调方向机罩	STEER WHEEL COVER	1	
3	2931000923	地板垫皮	CAB RUBBER MATTRESS	1	
4	4019000006	螺钉 GB845-ST4. 2*19-C-H	BOLT GB845-ST4. 2*19-C-H	24	



J3

座椅支架总成 SEAT ASSEMBLY



J3

序号	代号	名称		数量	备注
KEY	PART NO.	DESCRIPTION		QTY	REMARKS
1	4190000072	座椅 CS-B	DRIVER SEAT CS-B	1	
2	4011000137	螺栓 GB16674-M12*20EpZn-8.8	BOLT GB16674-M12*20EpZn-8.8	8	
3	2930000003	盖板	COVER	1	
4	2930000005	支架	BRAKET	1	
5	4011000458	螺栓 GB16674-M8*20Ep. Zn-8.8	BOLT GB16674-M8*20Ep. Zn-8.8	4	
6	2930000004	槽钢	SUPPORT	2	



K 覆盖件系统 COVER SYSTEM

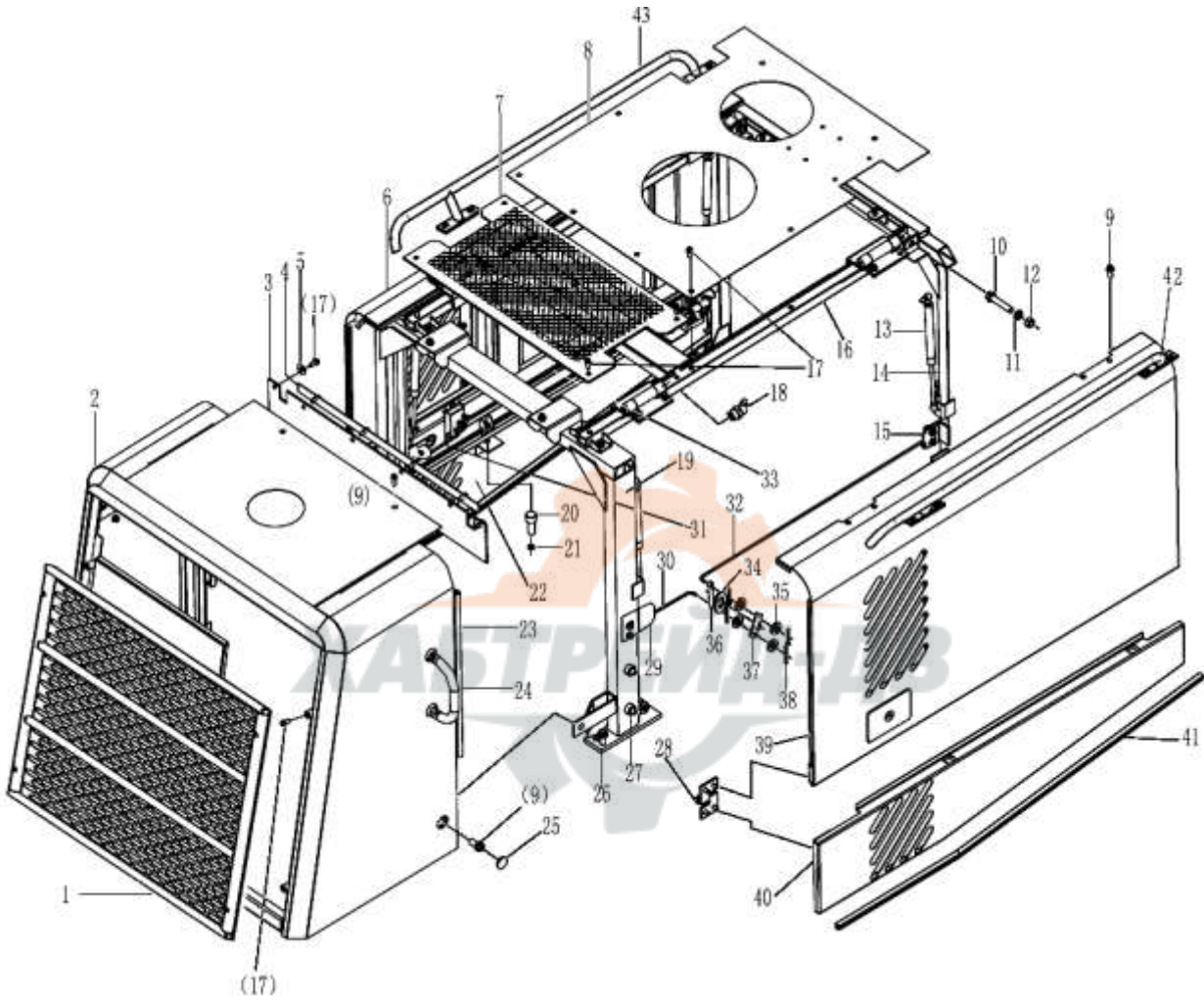


山东临工工程机械有限公司
SHANDONG LINGONG CONSTRUCTION MACHINERY LTD.

K1

发动机罩总成

HOOD OF DIESEL ENGINE ASSEMBLY

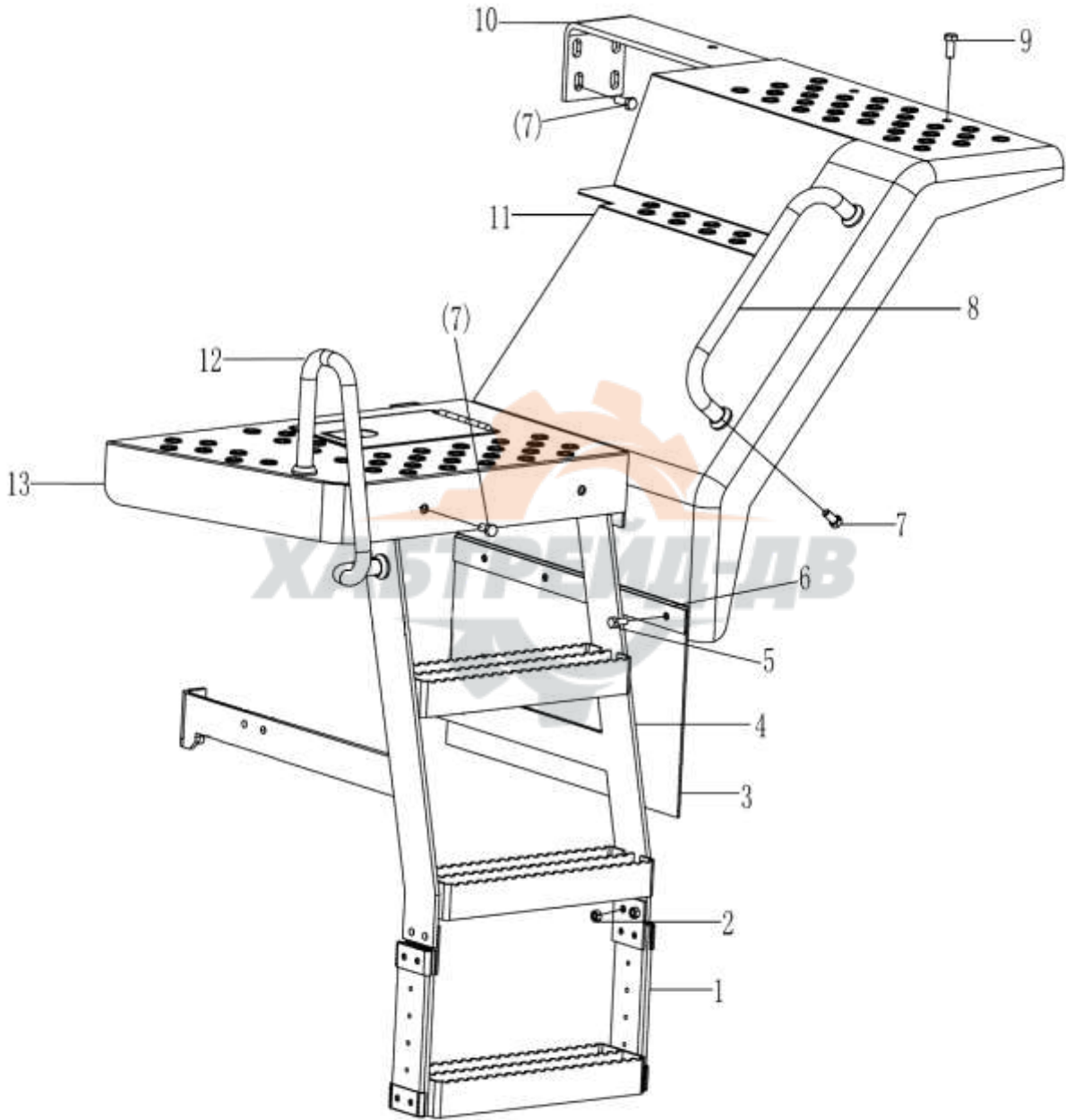


K1

序号	代号	名称		数量	备注
KEY	PART NO.	DESCRIPTION		QTY	REMARKS
1	2933001485	窗棂	WINDOW RIBBING	1	
2	2933001056	后罩	REAR HOOD	1	
3	2933000187	橡胶板	RUBBER PLATE	1	
4	2933000188	压板	PRESS PLATE	1	
5	4015000197	垫圈 GB96. 1-10Ep. Zn-300HV	WASHER GB96. 1-10EpZn-300HV	2	
6	2933000012	左侧门	LEFT SIDE DOOR	1	
7	2933000016	天窗	CLERESTORY	1	
8	2933000968	上盖板	UP HOOD	1	
9	4011000560	螺栓 GB16674-M12*25EpZn -8. 8	BOLT GB16674-M12*25EpZn-8. 8	28	
10	4011000151	螺栓 GB16674-M16*80EpZn -8. 8	BOLT GB16674-M16*80EpZn-8. 8	2	
11	4015000181	垫圈 GB97. 1-16EpZn -300HV2	WASHER GB97. 1-16EpZn-300HV2	2	
12	4013000016	螺母 GB6170-M16Ep. Zn-8	BOLT GB6170-M16EpZn-8	2	
13	2933001462	气弹簧	PNEUMATIC SPRING	4	
14	2933000007	前支架	FRONT BRACKET	1	
15	2933000009	前卡板	FRONT LOCK PLATE	2	
16	2933000006	上支架	UP BRACKET	1	
17	4011000447	螺栓 GB16674-M10*20EpZn -8. 8	BOLT GB16674-M10*20EpZn-8. 8	40	
18	4030000306	油杯 JB7940. 2-45° M6	GREAST NIPPLE JB7940. 2-45° M6	4	
19	2933000003	后支架	REAR BRACKET	1	
20	2933000151	垫块	PAD BLOCK	4	
21	4013000007	螺母 GB6170-M10EpZn -8	NUT GB6170-M10EpZn-8	8	
22	2933000011	左盖板	LEFT HOOD	1	
23	4030000296	卡子胶条 GB7526-590-胶条	DIP RUBBER BAR	2	
24	2933000189	扶手	HANDRIAL	2	
25	2933000020	橡胶盖	PUBBER COVER	2	
26	4011000146	螺栓 GB16674-M16*30EpZn -8. 8	BOLT GB16674-M16*30EpZn-8. 8	8	
27	2933000154	橡胶垫	RUBBER PAD	8	
28	2933000153	合页	HINGE	4	
29	2933000019	后卡板	REAR LOCK PLATE	2	
30	2933000017	短拉杆 (右)	SHORT LINK (RIGHT)	1	
31	2933000018	短拉杆 (左)	SHORT LINK (LEFT)	1	
32	2933000013	右长拉杆	RIGHT LONG LINK	1	
33	2933000014	左长拉杆	LEFT LONG LINK	1	
34	4015000162	垫圈 GB97. 1-10EpZn -300HV	WASHER GB97. 1-10EpZn-300HV	2	
35	4015000207	垫圈 GB97. 1-6EpZn -300HV	WASHER GB97. 1-6EpZn-300HV	16	
36	4016000119	销 GB91-3. 2*16EpZn -Q235A	PIN GB91-3. 2*16EpZn-Q235A	2	
37	2933000024	转板	TURN PLATE	2	
38	4016000114	销 GB91-2*16EpZn -Q235A	PIN GB91-2*16EpZn-Q235A	16	
39	2933000005	右侧门	RIGHT SIDE DOOR	1	
40	2933000010	右盖板	RIGHT HOOD	1	
41	4030000295	卡子胶条 GB7526-1400-胶条	DIP RUBBER BAR	2	
42	2933001384	右上扶手	RIGHT UPPER HANDRALL	1	
43	2933001382	左上扶手	LEFT UPPER HANDRALL	1	

K2

左台架总成 LEFT BENCH GROUP



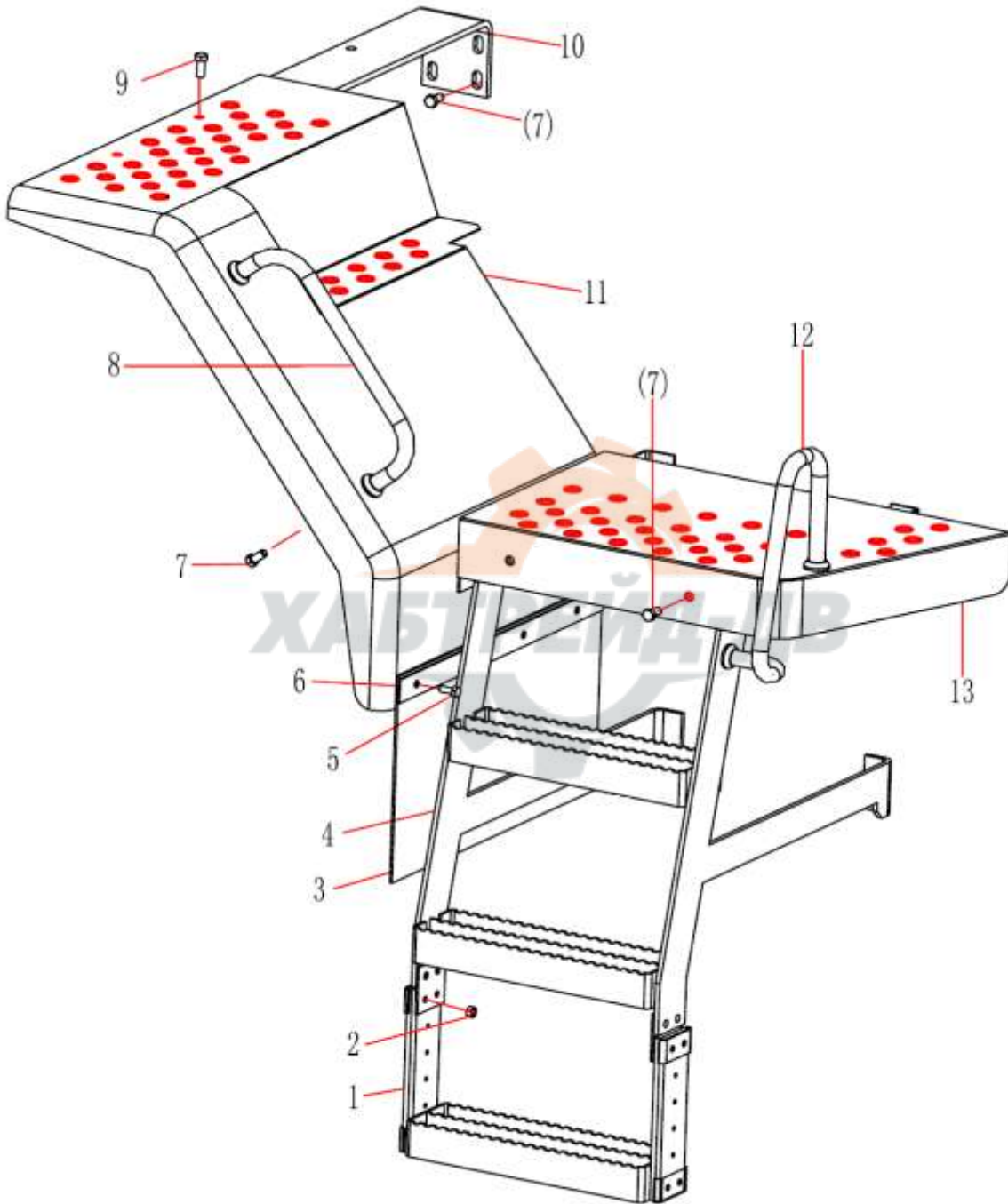
K2

序号	代号	名称		数量	备注
KEY	PART NO.	DESCRIPTION		QTY	REMARKS
1	2934000057	软梯	CHAIN DELT LADDER	1	
2	4013000007	螺母 GB6170-M10 EpZn-8	NUT GB6170-M10 EpZn-8	4	
3	2934000065	橡胶板	RUBBER PLATE	1	
4	2934000058	左梯	LEFT LADDER	1	
5	4011000474	螺栓 GB16674-M10*25EpZn-8. 8	BOLT GB16674-M10*25EpZn-8. 8	8	
6	2934000064	压板	COVER PLATE	1	
7	4011000453	螺栓 GB16674-M12*25EpZn-8. 8	BOLT GB16674-M12*25EpZn-8. 8	16	
8	2934000063	后扶手	REAR HANDRAIL	1	
9	4011000479	螺栓 GB16674-M12*30EpZn-8. 8	BOLT GB16674-M12*30EpZn-8. 8	2	
10	2934000061	左支架	LEFT BRACKET	1	
11	2934000062	左挡泥瓦	LEFT FENDER	1	
12	2934000066	左前扶手	LEFT FRONT HANDRAIL	1	
13	2934001352	左台板	LEFT BEDPLATE	1	



K3

右台架总成 RIGHT BENCH GROUP



K3

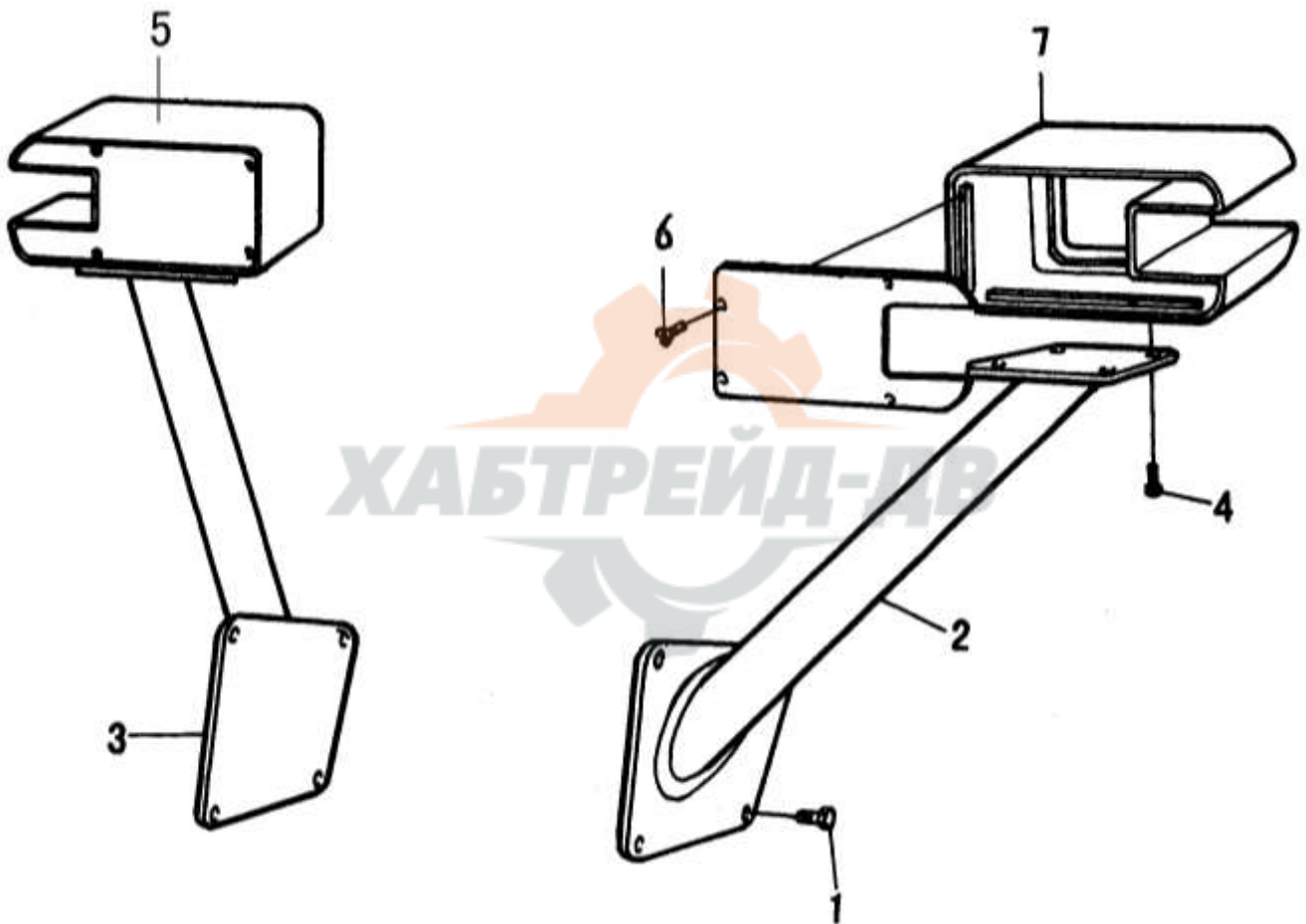
序号	代号	名称		数量	备注
KEY	PART NO.	DESCRIPTION		QTY	REMARKS
1	2934000057	软梯	CHAIN DELT LADDER	1	
2	4013000007	螺母 GB6170-M10 EpZn-8	NUT GB6170-M10 EpZn-8	4	
3	2934000065	橡胶板	RUBBER PLATE	1	
4	2934000113	右梯	RIGHT LADDER	1	
5	4011000474	螺栓 GB16674-M10*25EpZn-8. 8	BOLT GB16674-M10*25EpZn-8. 8	8	
6	2934000064	压板	COVER PLATE	1	
7	4011000453	螺栓 GB16674-M12*25EpZn-8. 8	BOLT GB16674-M12*25EpZn-8. 8	16	
8	2934000063	后扶手	REAR HANDRAIL	1	
9	4011000479	螺栓 GB16674-M12*30EpZn-8. 8	BOLT GB16674-M12*30EpZn-8. 8	2	
10	2934000118	右支架	RIGHT BRACKET	1	
11	2934000114	右挡泥瓦	RIGHT FENDER	1	
12	2934000115	右前扶手	RIGHT FRONT HANDRAIL	1	
13	2934001354	右台板	RIGHT BEDPLATE	1	



K4

左、右灯架

LEFT RIGHT LAMP FRAME



K4

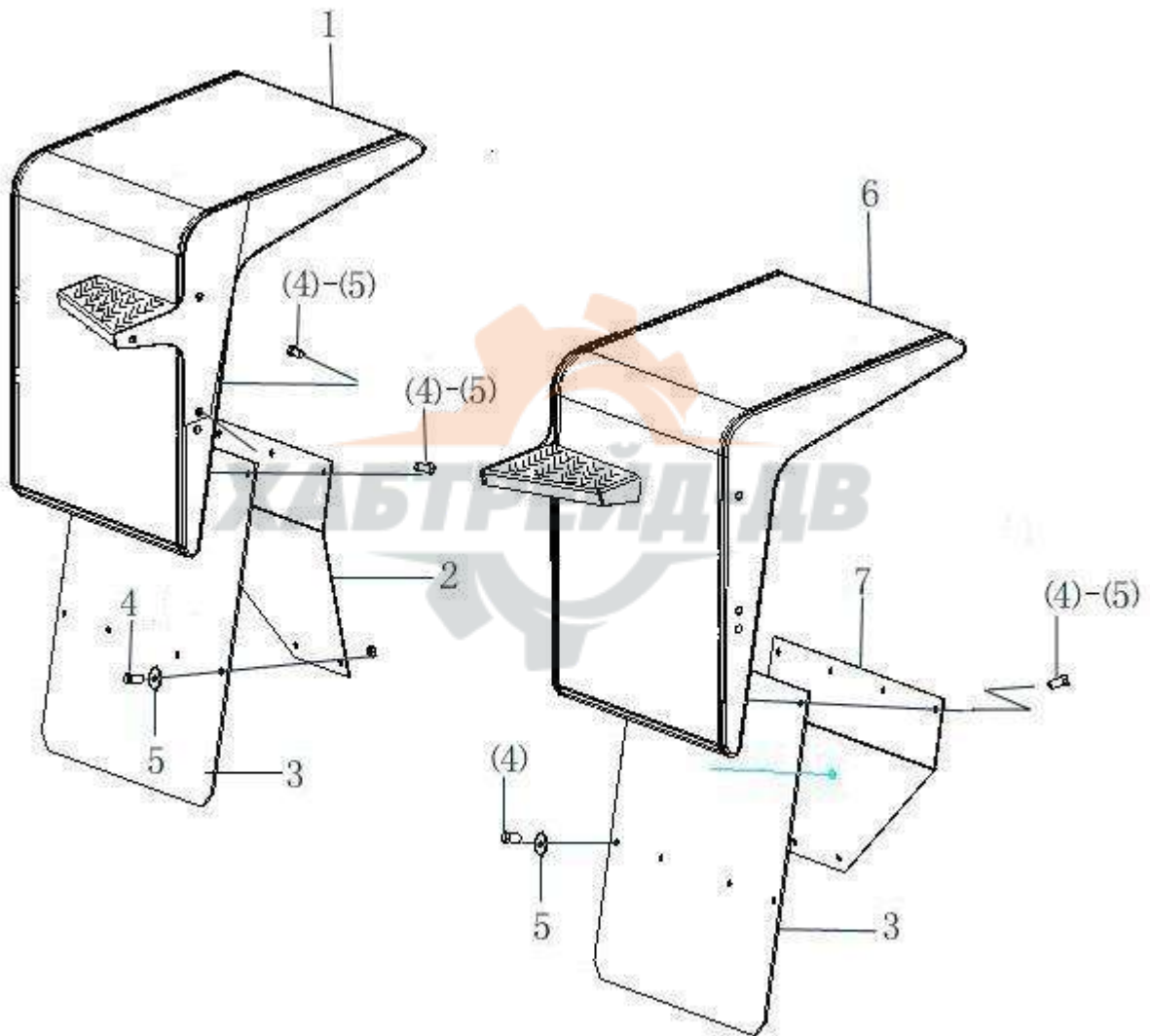
序号	代号	名称			数量	备注
KEY	PART NO.	DESCRIPTION			QTY	REMARKS
1	4011000479	螺栓 GB16674-M12*30-Ep. Zn-8. 8	BOLT	GB16674-M12*30-Ep. Zn-8. 8	6	
2	2925000024	左灯架	LEFT BRACKET OF LAMP		1	
3	2925000021	右灯架	RIGHT BRACKET OF LAMP		1	
4	4011000474	螺栓 GB16674-M10*25-Ep. Zn-8. 8	BOLT	GB16674-M12*30-Ep. Zn-8. 8	6	
5	4130000543	前右组合灯 LFRDH4-24V	RIGHT FRONT HEAD LAMP	LFRDH4-24V	1	
6		螺钉	SCREW		8	灯上自带
7	4130000542	前左组合灯 LFLDH4-24V	LEFT FRONT HEAD LAMP	LFLDH4-24V	1	



K5

左、右前挡泥瓦

LEFT RIGHT FRONT FENDER



K5

序号	代号	名称		数量	备注
KEY	PART NO.	DESCRIPTION		QTY	REMARKS
1	2925000067	左前挡泥瓦	LEFT FRONT FENDER	1	
2	2925000068	支撑板	PLATE	1	
3	2925000063	橡胶板	RUBBER FENDER	2	
4	4011000474	螺栓 GB16674-M10*25Ep • Zn-8. 8	BOLT GB16674-M10*25Ep • Zn-8. 8	12	
5	2925000042	垫圈	WASHER	12	
6	2925000061	右前挡泥瓦	RIGHT FRONT FENDER	1	
7	2925000062	支撑板	PLATE	1	



L 空调系统

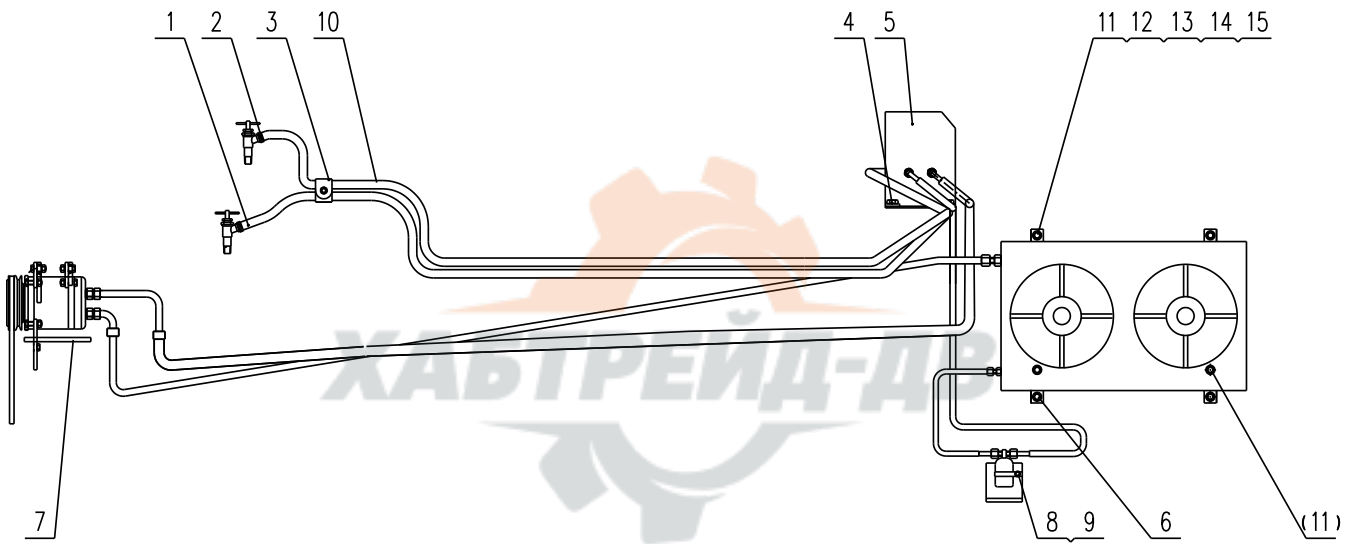
AIR CONDITIONER SYSTEM



山东临工工程机械有限公司
SHANDONG LINGONG CONSTRUCTION MACHINERY LTD.

L1

空调系统 AIR CONDITIONER SYSTEM



L1

序号	代号	名称		数量	备注
KEY	PART NO.	DESCRIPTION		QTY	REMARKS
1	4120000136	胶管 JB8406-B16*2900	HOSE JB8406-B16*2900	1	
2	4120000075	胶管夹箍 Q/ZB251-0.5	CLAMP Q/ZB251-0.5	4	
3	2935000002	管夹	CLAMP	2	
4	4011000560	螺栓 GB16674-M12*25EpZn-8.8	BOLT GB16674-M12*25EpZn-8.8	4	
5	4130000413	CD30L19 空调器总成	AIR CONDITIONER CD30L19	1	
6	4011000447	螺栓 GB16674-M10*20EpZn-8.8	BOLT GB16674-M10*20EpZn-8.8	6	
7	2935000752	压缩机支架	BRACKET	1	
8	4011000153	螺栓 GB16674-M6*16EpZn-8.8	BOLT GB16674-M6*16EpZn-8.8	2	
9	4013000028	螺母 GB6170-M6EpZn-8	NUT GB6170-M6EpZn-8	2	
10	4120000363	胶管 JB8406-B16*3200	HOSE JB8406-B16*3200	1	
11	4011000085	螺栓 GB5783-M10*35EpZn-8.8	BOLT GB5783-M10*35EpZn-8.8	6	
12	4013000007	螺母 GB6170-M10EpZn-8	NUT GB6170-M10EpZn-8	2	
13	4015000025	垫圈 GB93-10-65Mn	WASHER GB93-10-65Mn	2	
14	4015000162	垫圈 GB97.1-10EpZn-300HV	WASHER GB97.1-10EpZn-300HV	2	
15	2935000792	固定板	MOUNTED PLATE	1	



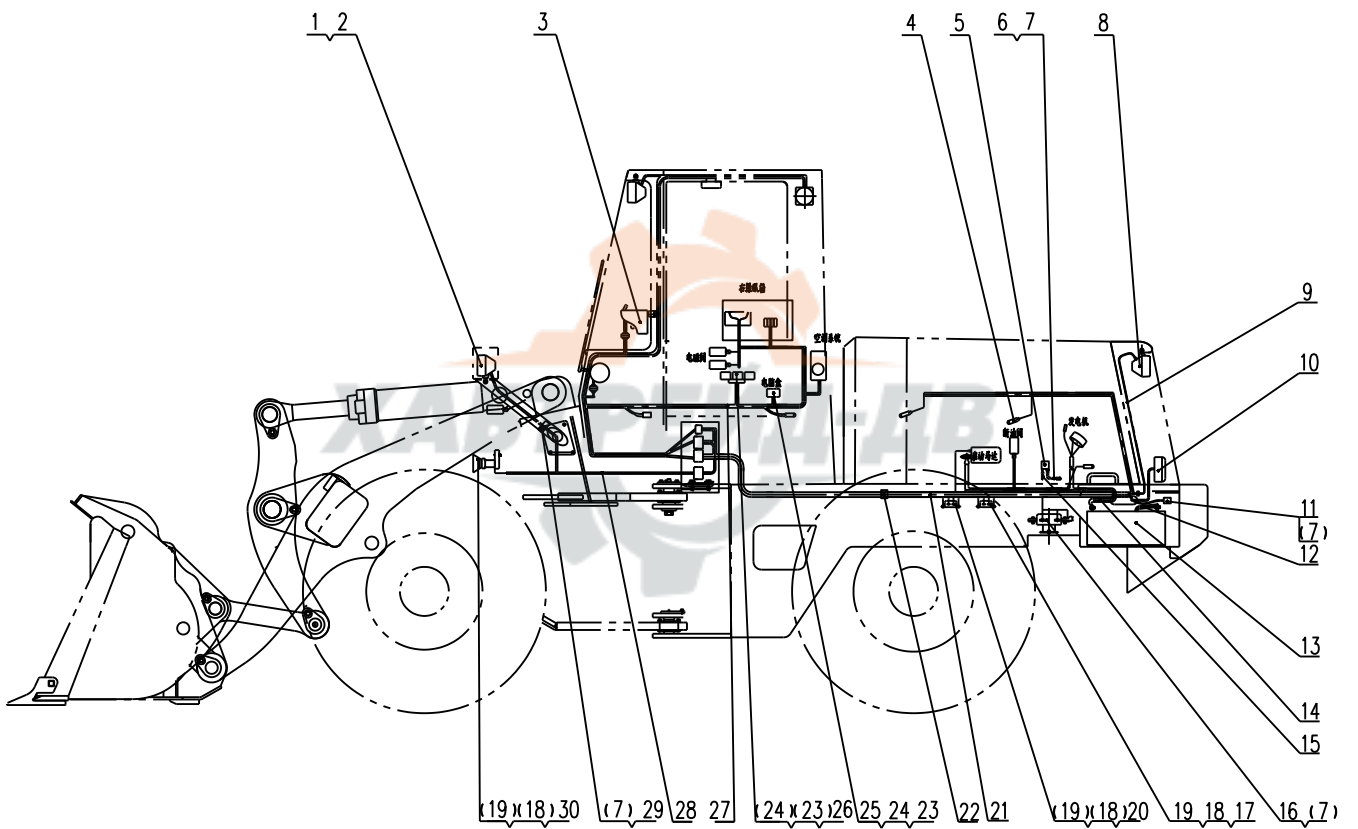
M 电气系统
ELECTRIC SYSTEM



山东临工工程机械有限公司
SHANDONG LINGONG CONSTRUCTION MACHINERY LTD.

M1

电气系统 ELECTRIC SYSTEM



M1

序号	代号	名称		数量	备注
KEY	PART NO.	DESCRIPTION		QTY	REMARKS
1	4130000542	前左组合灯 LFLDH4-24V	LEFT FRONT HEAD LAMP LFLDH4-24V	1	
2	4130000543	前右组合灯 LFRDH4-24V	RIGHT FRONT HEAD LAMP LFRDH4-24V	1	
3	2937001227	仪表盘总成 Y958CK	PANEL Y958CK	1	
4	4130000329	隔膜式压力开关 0166-40404-1-016	PRESS SWITCH 0166-40404-1-016	1	
5	4130000427	电源开关 K01K18-A	POWER SWITCH K01K18-A	1	
6	2937001162	电源开关接地线	EARTH WIRE OF POWER SWITCH	1	
7	4011000461	螺栓 GB16674-M8*16EpZn-8. 8	BOLT GB16674-M8*16EpZn-8. 8	10	
8	4130000544	后大灯 SPH4-1031	REAR LARGE LAMP SPH4-1031	2	
9	2937000953	后罩线束	COVER HARNESS	1	
10	4130000213	后尾灯 LRTD-24V	REAR LAMP LRTD-24V	2	
11	4130000121	倒车蜂鸣器 KSHM-12F4	ANNUNCIATOR KSHM-12F4	1	
12	2937000934	蓄电池接地线	EARTH WIRE	1	
13	4130000057	蓄电池 6-QW-120B	BATTERY 6-QW-120B	2	
14	2937000957	启动马达线	LINE FROM SWITCH TO MOTOR	1	
15	2937001269	电源开关至蓄电池负极线	LINE FROM SWITCH TO MINUS POLE OF STORAGE BATTERY	1	
16	4130000005	蓄电池继电器 DK2312A	MAIN SWITCH OF POWER SOURCE DK2312A	1	
17	4130000455	启动继电器 JN3D-24V	STARTUP RELAY JN3D-24V	1	
18	4014000024	螺钉 GB818-M6*10EpZn-4. 8	SCREW GB818-M6*10EpZn-4. 8	6	
19	4015000207	垫圈 GB97. 1-6EpZn-300HV	WASHER GB97. 1-6EpZn-300HV	6	
20	4130000015	启动继电器 JN3A-24V	STARTUP RELAY JN3A-24V	1	
21	2937001234	后车架线束	BODY WIRING HARNESS	1	
22	4190000020	扎丝 LG13-ZS4*250	CLIP LG13-ZS4*250	60	
23	4014000048	螺钉 GB818-M5*12EpZn-4. 8	SCREW GB818-M5*12EpZn-4. 8	9	
24	4015000110	垫圈 GB97. 1-5EpZn-300HV	WASHER GB97. 1-5EpZn-300HV	9	
25	4013000118	螺母 GB6170-M5EpZn-8	NUT GB6170-M5EpZn-8	3	
26	4130000011	中间继电器 JD2914	MIDDLE RELAY JD2914	6	
27	2937001236	仪表台线束总成	INSTRUMENT DESK HARNESS	1	
28	2937001235	前车架线束	BODY WIRING HARNESS	1	
29	2935000002	管夹	PIPE NIP	5	
30	4130000009	双音盆形喇叭 DL125-24V	ELECTRIC HORN DL125-24V	1	