

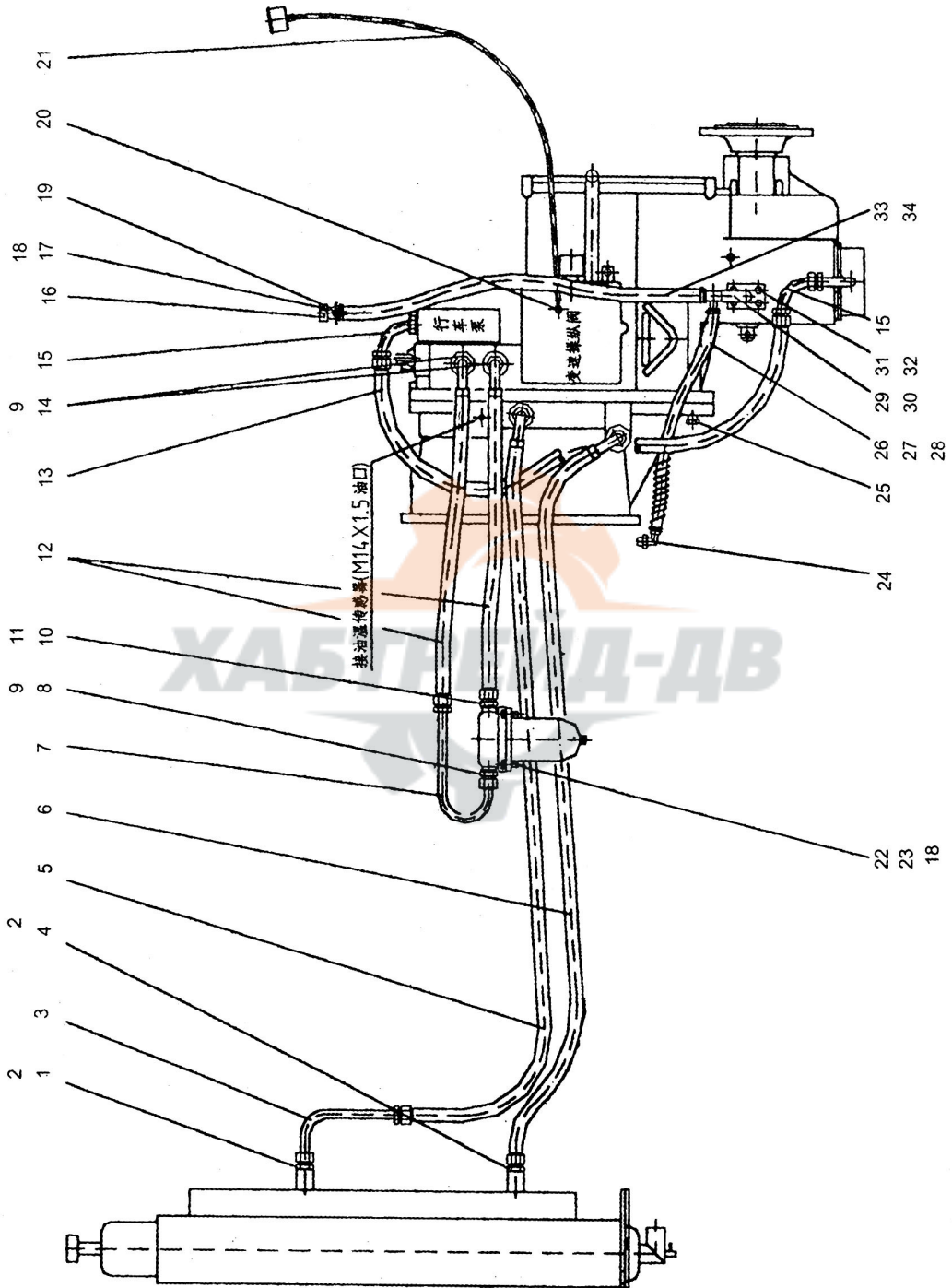
传 动 液 压 系 统
TRANSMISSION HYDRAULIC SYSTEM



第 301 图

传动液压系统

FIG.301 TRANSMISSION HYDRAULIC SYSTEM



传动液压系统

TRANSMISSION HYDRAULIC SYSTEM

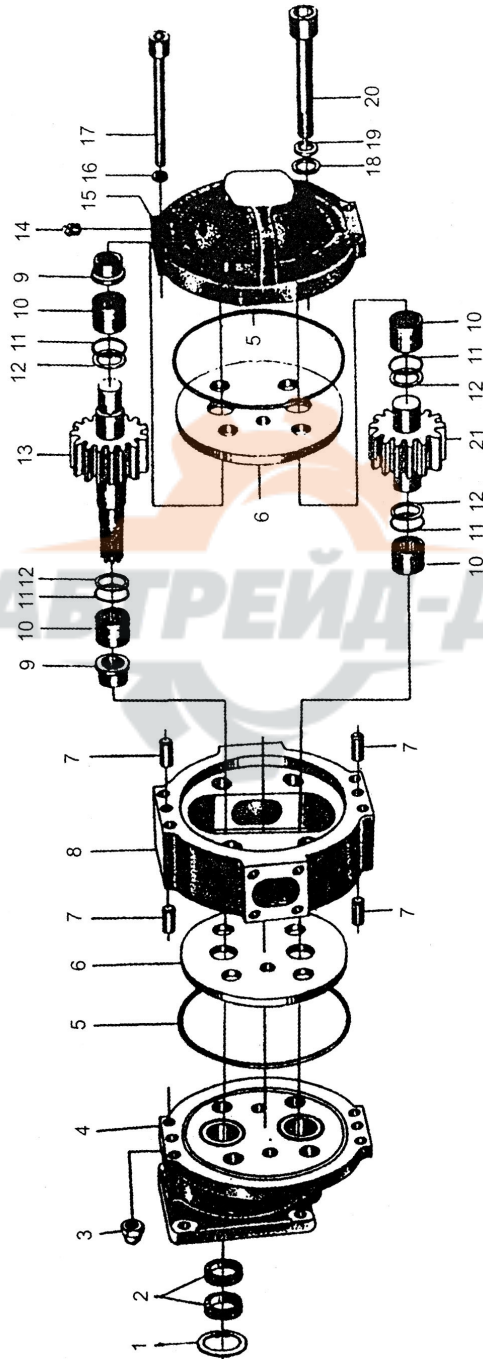
序号 No.	件号 Part No.	名称 Description	数量 Q'ty	备注 Remark
-----------	----------------	-------------------	------------	--------------



301-1	ZL50G3-12001	散热器进油接头	oil cooler inlet joint	1	同 ZL50G2-12017
2	JB982-77	组合垫圈 24	lock washer 24	2	同 ZL50G2-12018
3	ZL50G3-12002	散热器进油钢管	oil cooler inlet oil sted tube	1	同 ZL50G2-12016
4	ZL50G3-12003	散热器出油接头	oil cooler outlet joint	1	一端 90°弯头
5	JH100-81	软管总成 191-2180	hose assembly 191-2180	1	一端 90°弯头
6	JH100-81	软管总成 191-2380	hose assembly 191-2380	1	
7	ZL50G3-12004	滤油器钢管	oil filer steel tube	1	
8	ZL50G3-12005	滤油器接头	oil filter joint	1	
9	JB982-77	组合垫圈 30	lock washer 30	5	
10	ZL50G3-12006	接头体	coupling body	1	
11	JB982-77	组合垫圈 22	lock washer 22	1	
12	JH100-81	软管总成 191-850	hose assembly 191-850	2	一端 90°弯头
13	JH100-81	软管总成 251-1508	hose assembly 251-1580	1	变速箱带
14	ZL50G3-12007	变速箱接头	joint of gear box	3	同 ZL50G2-12021
15	ZL50G3-12008	接头总成	joint assembly	2	
16	ZL50G3-12009	大螺母	big nut	1	
17	GB5783-86	螺栓 M8×25	bolt M8×25	2	
18	GB93-87	弹簧垫圈 8	lock washer 8	6	
19	ZL50G3-12010	加油钢管	oil filler steel tube	1	同 ZL50G2-12020
20	ZL50G3-12015	压力表接头	oil pressure gauge joint	1	
21	ZL50G3-12011	操纵阀测压管	control valve oil pressure tube	1	
22	GB5783-86	螺栓 M8×25	bol t M8×25	4	
23	GB6170-86	螺母 M8	nut M8	4	
24	ZL50G3-12017	发动机飞轮壳接头	engine fly wheel case joint	1	
25	ZL50G3-12016A	锥丝堵	pyramidal plug	1	
26	ZL50G3-12014	低压耐油胶管 Φ13 双钢丝卡箍(20-24)	low pressure oil resisto tub Φ13	1	L=950
27		弹簧护套 变速箱加油钢管	double steel wire hose clamp (20-24)	2	
28	ZL50G3-12020	O 形圈 32.5×3.55	spring jacket	1	
29	ZL50G3-12013A	垫圈 10	gear box oil filler tube	1	
30	GB3452.1-82	螺栓 M10×25	"O"-ring 32.5×3.55	1	
31	GB93-87	低压耐油胶管 Φ22	lock washer 10	4	
32	GB5783-86	双钢丝卡箍(31-35)	bolt M10×25	4	
33	ZL50G3-12012		low pressure oil resistant tube Φ22	1	L=140
34			double steel wire hose clamp (31-35)	2	

第 302 图 齿轮泵总成

FIG.302 GEAR PUMP ASSEMBLY



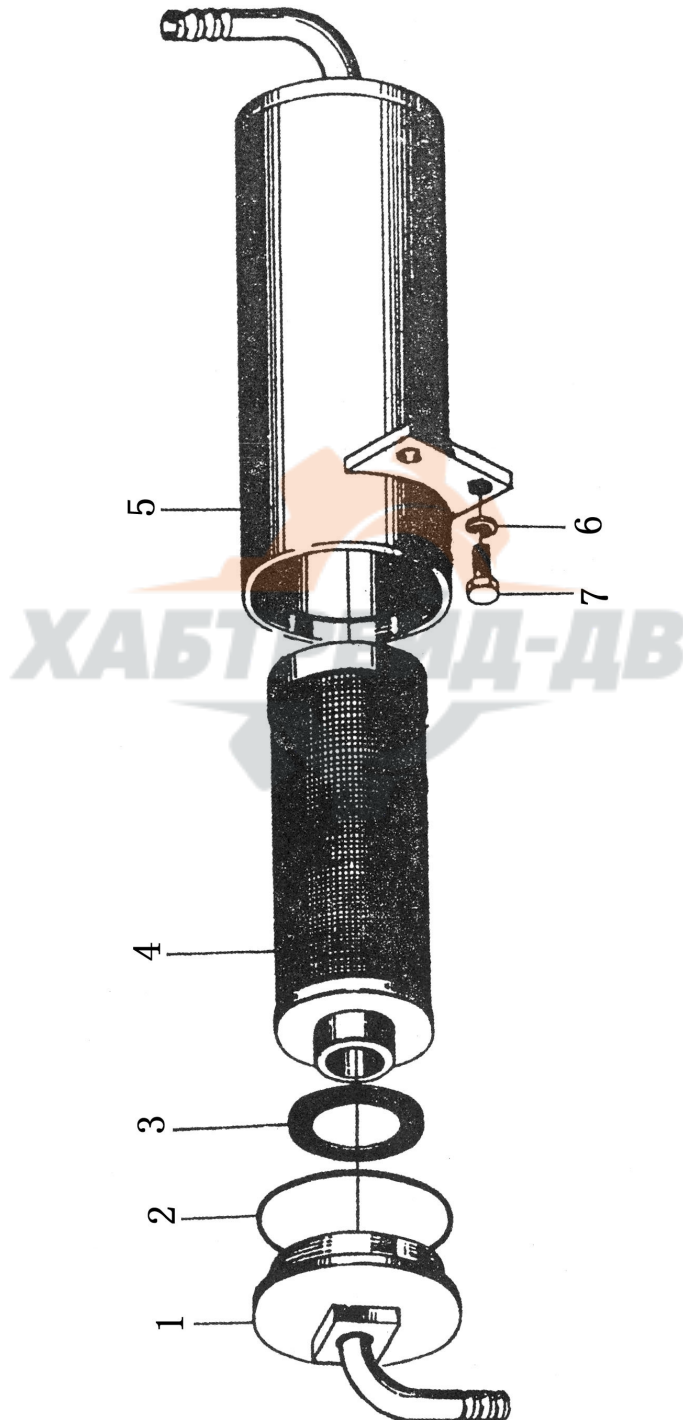
齿轮泵总成

GEAR PUMP ASSEMBLY

序号 Index No.	件 号 Part No.	名 称 Description	数量 Q'ty
302-1	GB893.1-86	挡圈 58 sprag 58	1
2	HG4-692-67	骨架式油封 skeleton type oil SG38×58×12 seal SG38×58×12	2
3		螺母 nut	4
4		前泵盖 front cover	1
5	GB 1235-76	O 型圈 190×5.7 "O" ring 190×5.7	2
6		侧板 side plate	2
7	GB119-86	圆柱销 12×80 pin 12×80	4
8		泵体 pump body	1
9		轴座 shaft seat	2
10		滚针轴承 needle roller bearing	2
11	GB1235-87	O 型圈 70×3.1 "O" ring 70×3.1	
12		垫片 gasket	4
13		主动齿轮 drive gear	4
14		螺塞 ZG1/8" thread plug	1
15		后泵盖 rear cover	2
16	GB93-87	垫圈 12 washer 12	1
17	GB70-76	螺钉 M12×100 screw M12×100	4
18		密封铜垫 copper seal gasket	4
19	GB93-87	垫圈 washer	4
20		螺钉 screw	4
21		从动齿轮 driven gear	1
			1

第 303 图 回油滤清器总成

FIG.303 RETURN OIL FILTER ASSEMBLY



回油滤清器总成

RETURN OIL FILTER ASSEMBLY

序号 Index No.	件 号 Part No.	名 称 Description	数量 Q'ty
303-1		上盖 top cover	1
2		胶垫 I rubber spacer I	1
3		胶垫 II rubber spacer II	1
4		滤网总成 filter screen assembly	1
5		壳体 housing	1
6	GB93-87	垫圈 12 lock washer 12	2
7	GB5780-86	螺栓 M12×20 bolt M12×20	2





转 向 系 统

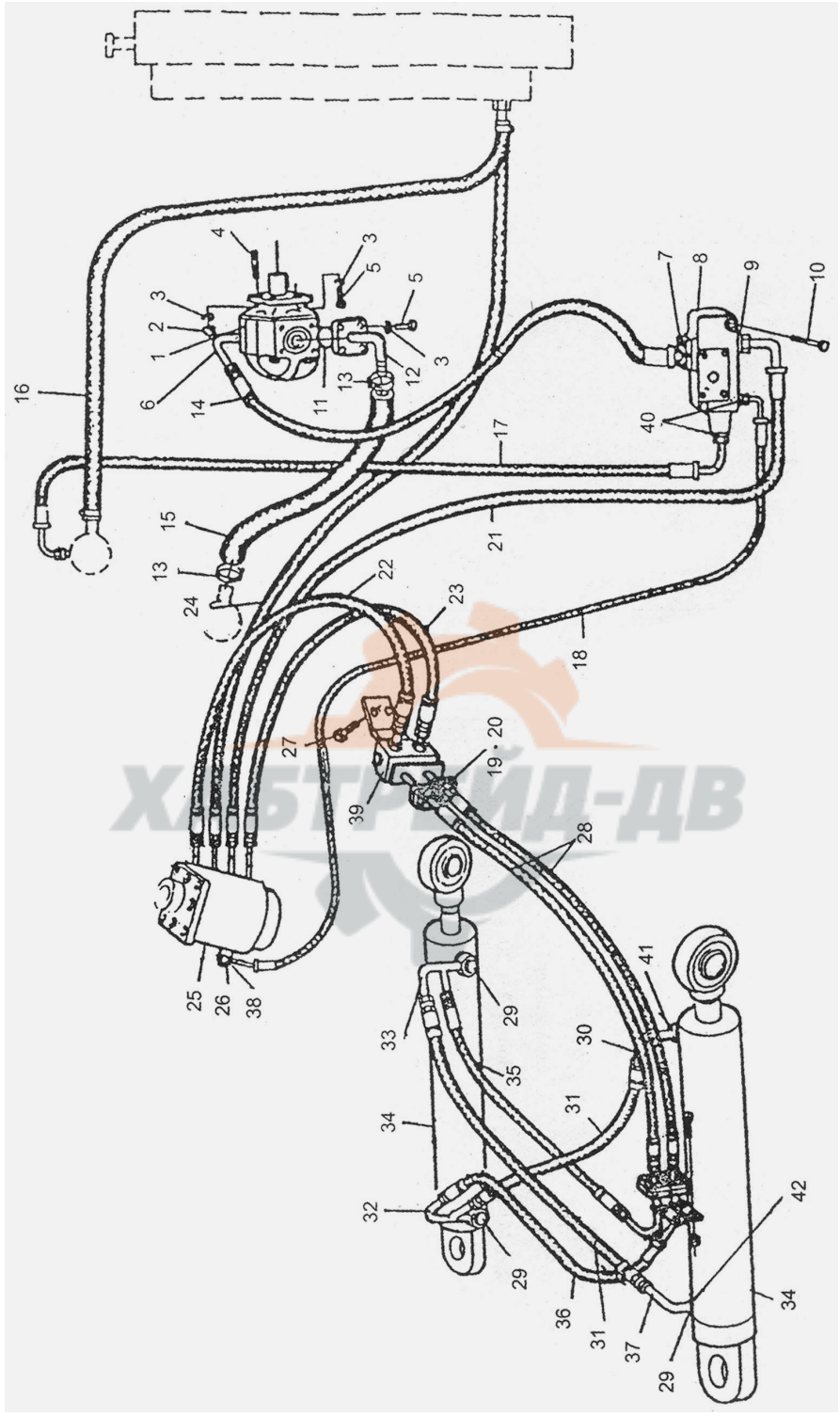
STEERING SYSTEM



第 401 图

转向液压系统

FIG.401 STEERING HYDRAULIC SYSTEM



转向液压系统

STEEROMG HYDRAULIC SYSTEM

序号 Index No.	件 号 Part No.	名 称 Description	数量 Q'ty
-----------------	-----------------	--------------------	------------

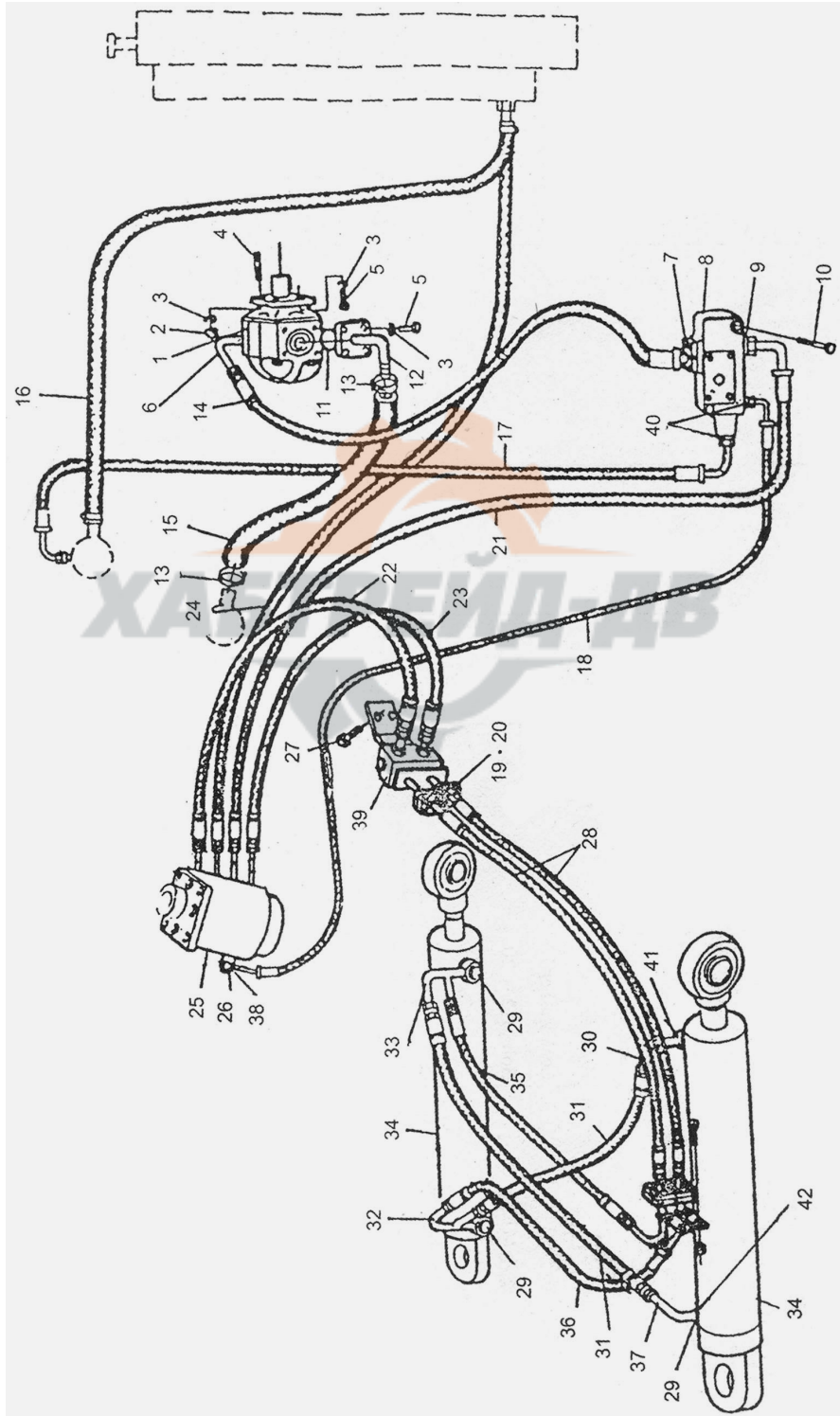


401-1	CBGq2080/ CBq2100	双联齿轮泵 转向泵	tandem gear pump steering gear pump	1 1
2	GB6170-86	螺母 M12	nut M12	2
3	GB93-87	弹簧垫圈 12	lock washer 12	10
4	GB898-88	螺柱 AM12×35	bolt .AM 12×35	2
5	GB5783-86	螺栓 M12×35	bolt .AM 12×35	6
6	GB3452.1-82	O 型圈 37.5×3.55	"O"-ring 37.5×3.55	4
7	51H-20	拼合法兰	split flange	4
8	YXL-F250F-N7	优先阀	priority valve	1
9	ZL50G2-05006	优先阀接头	priority valve joint	1
10	GB70-85	螺钉 M10×90	bolt M10×90	2
11	GB3452.1-82	O 型圈 47.5×3.55	"O"-ring 47.5×3.55	1
12	ZL50G2-05018	转向泵进油钢管	inlet steel tube of steering pump	1
13		双钢丝卡箍(57-62)	double sled wire hose clamp(57-62)	4
14	ZL50G2-06041 (L=1242,ZL50F-III)	转向泵到优先阀油管	hose, steering pump to priority valve	1
15	ZL50G3-05017	低压耐油胶管 Φ45×820	low-pressure oil resistant tube	1
16	ZL50G2-05007	低压耐油胶管 Φ32×2700	low-pressure oil resistant tube	1
17	ZL50G2-05025	软管总成 81-530	hose assembly 81-530	1
18	ZL50G3-05026	转向器到优先阀反馈油管 O 型圈 25×3.55	feed back oil tube. flow amplifier to priority valve	1
19	GB3452.1-82	拼合法兰	"O" ring 25×3.55	4
20	MIH-12	软管总成 19 II-1935	split flange	4
21	JH100-81	软管总成 19 II-1495	hose assembly 19 II-1935	1
22	ZL50G2-05022	软管总成 19 II-1515	hose assembly 19 II-1495	1
23	ZL50G2-05021	软管总成 19 I-3580	hose assembly 19 II-1515	1
24	JH100-81	同轴流量放大转向器	hose assembly 19 I-3580	1
25	TLF1-E1000C	空心螺栓	flow amplifier	1
26	ZL50G2-05016	螺栓 M12×25	hollow bolt	1
27	GB5783-86	软管总成 19 II-1130	bolt M12×25	2
28	ZL50G2-05020	空心螺栓	hose assembly 19 II-1130	2
29	ZL50G2-05003	左转向缸后接头	hollow bolt	3
30	ZL50G2-05010	软管总成 19 II-660	rear joint of R/cylinder	1
31	JH100-81	右转向缸前接头	hose assembly 19 II-660	2
32	ZL50G2-05001	右转向缸后接头	front joint of R/cylinder	1
33	ZL50G2-05002	转向缸	rear joint of R/cylinder	1
34	HSGK100/55BE-EG		steering cylinder	2

第 401 图

转向液压系统

FIG.401 STEERING HYDRAULIC SYSTEM



转向液压系统

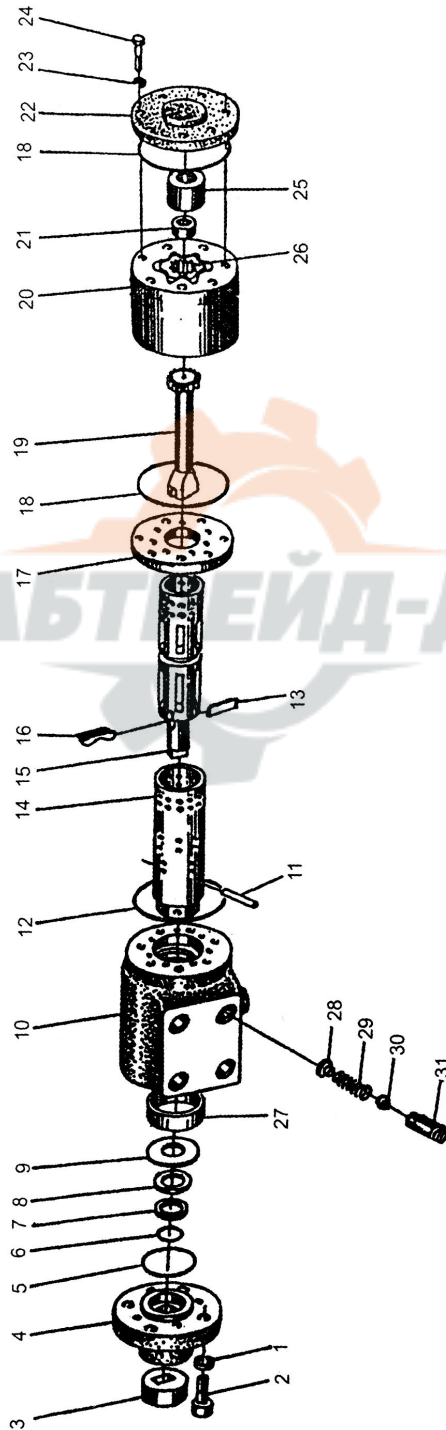
STEEROMG HYDRAULIC SYSTEM

序号 Index No.	件 号 Part No.	名 称 Description	数量 Q'ty	
401-35	ZL50G2-05019	软管总成 19 II-845	hose assembly 19 II-845	1
36	ZL50G2-05027	软管总成 19 II-710	hose assembly 19 II-710	1
37	ZL50G2-05011	左转向缸前接头	front joint of L/cylinder	1
38	JB982-77	组合垫圈 12	lock washer 12	2
39	ZL50G2-05004	后车架接头	coupling on rear frame	1
40	ZL50G2-05005	反馈油管接头	feed hack oil tube joint	2
41	ZL50G2-05012	空心螺栓	hollow bolt	1
42	GB3452.1-82	O 形圈 23.6×3.55	"O" ring 23.6×3.55	8



第 402 图 同轴流量放大转向器

FIG.402 CO-AXIS AMP ORBIT-ROLL VALVE



同轴流量放大转向器

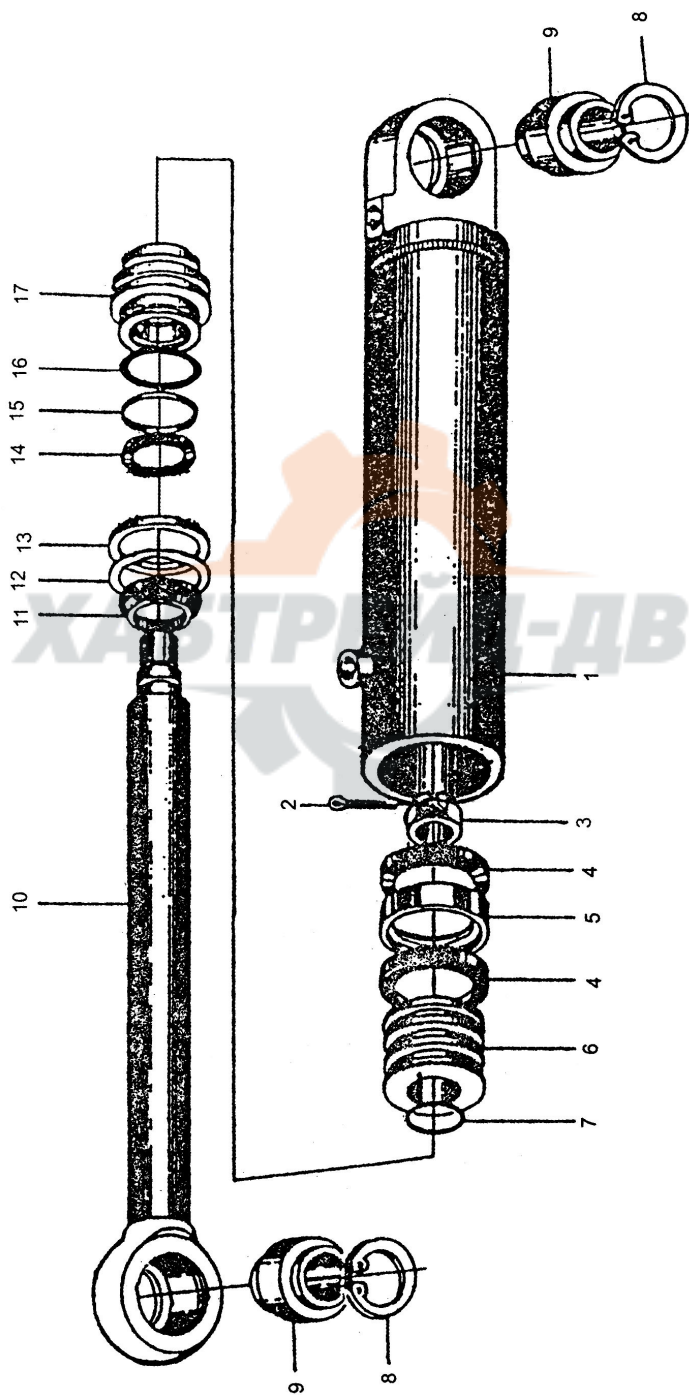
CO-AXIS AMP ORBIT-ROLL VALVE

序号 Index No.	件 号 Part No.	名 称 Description	数量 Q'ty
402-1	GB93-87	垫圈 8 washer 8	4
2	GS70-85	内六角螺钉 M8×22 screw M8×22	4
3	BZZ-01-00	连接块 joint	1
4	BZZ-00-01 A	前盖 front cover	1
5	GB3452.1-82	O 型密封圈 43.7×2.65 "O" ring 43.7×2.65	1
6	GB1235-76	O 型密封圈 26×2.4 "O" ring 26×2.4	1
7	BZZ-00-16	O 型密封圈 "O" seal ring	1
8	BZZ-00-02A	挡环 spacer	1
9	BZZ-00-03	滑环 slide ring	1
10	BZZ-00-10A	阀体 valve body	1
11	BZZ-00-05	拨销 center pin	1
12	GB3452.1-82	O 型密封圈 80×2.65 "O"-ring 80×2.65	1
13	BZZ6-00-27	隔片 isolating plate	2
14	BZZ6-00-09	阀套 sleeve	1
15	BZZ6-00-08	阀芯 valve spool	1
16	BZZ6-00-04	弹簧片 Spring plate	6
17	BZZ-00-11A	隔盖 Isolating cover	1
18	BZZ-00-23A	O 型密封圈 80×1.8 "O" ring 80×1.8	2
19	BZZ6-00-07	联动轴 drive shaft	1
20	BZZ-00-12A	定子 stator	1
21	BZZ-00-14	限位柱 locating column	1
22	BZZ-00-13A	后盖 rear cover	1
23	BZZ-00-19	铜垫 copper spacer	7
24	BZZ-00-22	小六角螺栓 bolt	6
25	BZZ-00-14(b)	限位柱垫 spacer	1
26	BZZ-00-15A	转子 rotor	1
27	BZZ6-00-25	挡圈 snap ring	1
28	BZZ6-00-30	弹簧座 retainer	1
29	BZZ6-00-29	弹簧 spring	1
30	6B308-64	钢球 7 steel ball 7	1
31	BZZ6-00-28	单向阀体 check vale body	1

第 403 图

转向油缸

FIG.403 STEERING CYLINDER ASSEMBLY



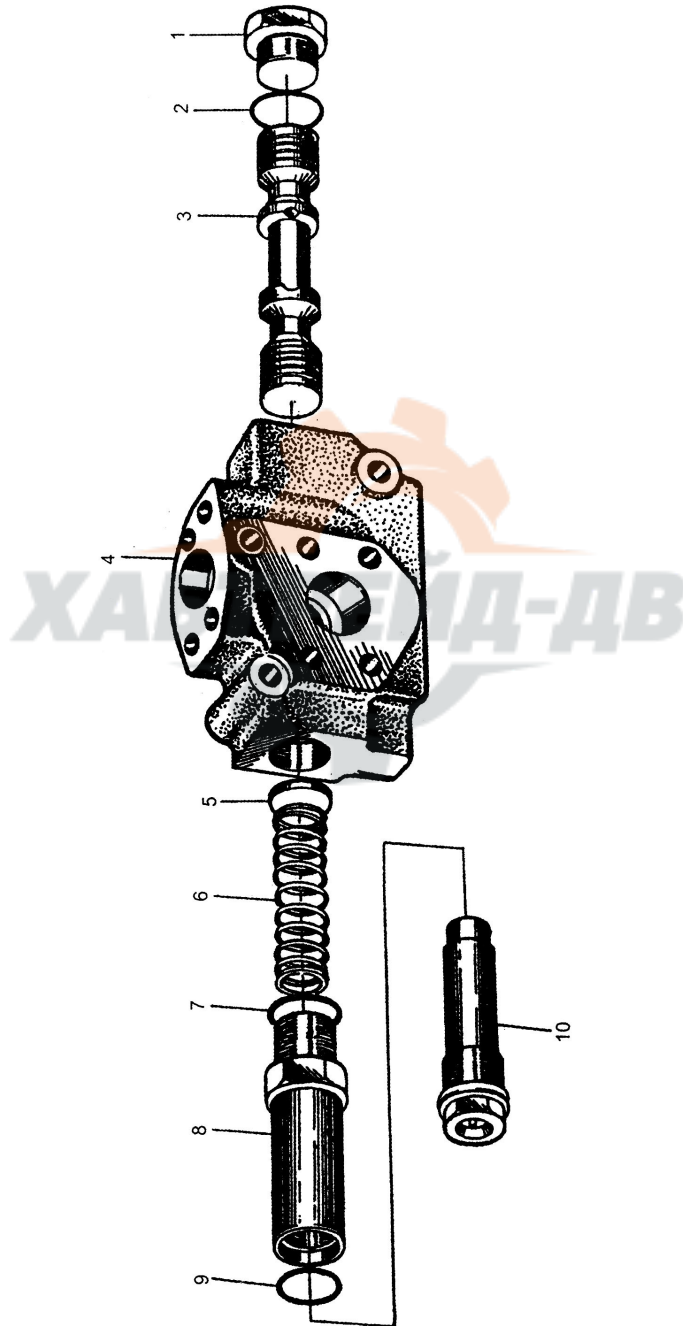
转向油缸

STEERING CYLINDER ASSEMBLY

序号 Index No.	件 号 Part No.	名 称 Description	数量 Q'ty
403-1		缸体 cylinder block	1
2	GB91-86	开口销 Spl pin	1
3		槽形螺母 slot nut	1
4	RB132	支承环 S100×19.5×2.5 support ring	2
5	RB 132	孔用组合封 CKW1000 glyd ring	1
6		活塞 Piston	1
7	GB/T3452.1	O 型圈 54.5×3.55 "O" ring 54.5×3.55	1
8	GB893.1-86	挡圈 75 snap ring 75	4
9	GB304.5-81	关节轴承 GE50ES joint bearing GE50ES	2
10		活塞杆 piston rod	1
11	GB/T10708.3	防尘圈 FC55×65×6 dust ring FC55×65×6	1
12	GB/T3452.1	O 型圈 100×2.65 "O" ring 100×2.65	1
13	GB/T3452.1	O 型圈 92.5×3.55 "O" ring 92.5×3.55	1
14	GB/T10708.1	Y 型 密 封 圈 "Y" ring 55×70×12.5	1
15	RB132	55×70×12.5 轴用组合封 CKS0550 CKS0550	1
16	RB132	support ring	1
17		杆用支承环 G55×29.5×2.5 cylinder cover 缸盖	1

第 404 图 优先阀总成

FIG.404 PRIORITY VALVE ASSEMBLY



优先阀总成

PRIORITY VALVE ASSEMBLY

序号 Index No.	件 号 Part No.	名 称 Description	数量 Q'ty
404-1	YXL-F250L-07	丝堵 thread plug	1
2	GB1235-76	O 型密封圈 32×3.1 "O" ring 32×3.1	1
3	YXL-F250L-06	阀芯 valve spool	1
4	YXL-F250E-01	阀体 valve body	1
5	YXL-F250L-05	弹簧座 retainer	1
6	YXL-F250L-04	主阀弹簧 spring	1
7	GB1235-76	O 型密封圈 35×3.1 "O" ring 35×3.1	1
8	YXL-F250L-02	安全阀阀座 safety valve seat	1
9	GB1235-76	O 型密封圈 22×4.1 "O" ring 22×4.1	1
10	YXL-F250L-03	安全阀总成 safety valve assembly	1





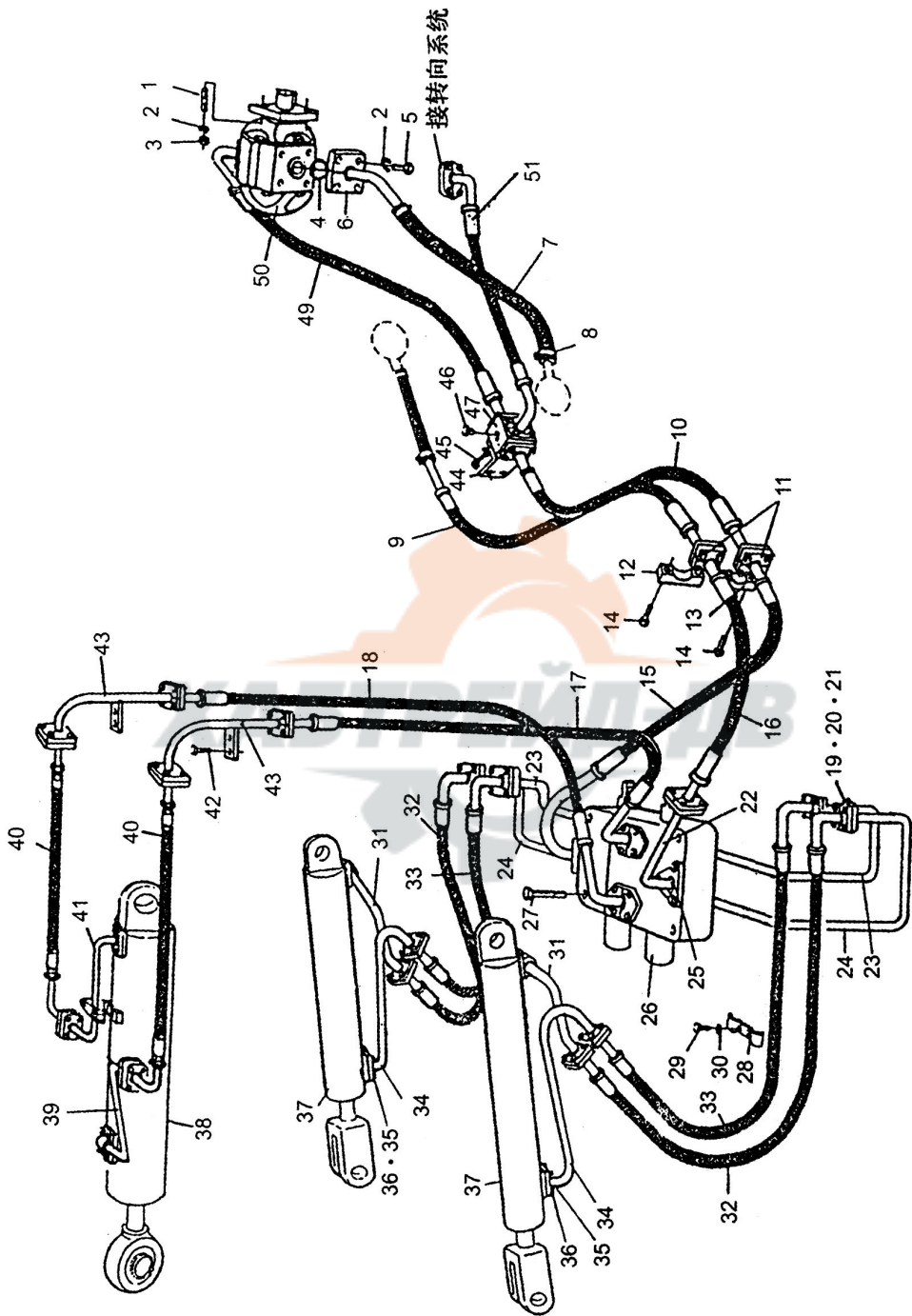
工 作 装 置 液 压 系 统

WORKING DEVICE HYDRAULIC SYSTEM



第 501 图 工作装置液压系统

FIG.501 WORKING DEVICE HYDRAULIC SYSTEM



工作装置液压系统

WORKING DEVICE HYDRAULIC SYSTEM

序号 Index No.	件 号 Part No.	名 称 Description	数量 Q'ty
-----------------	-----------------	--------------------	------------

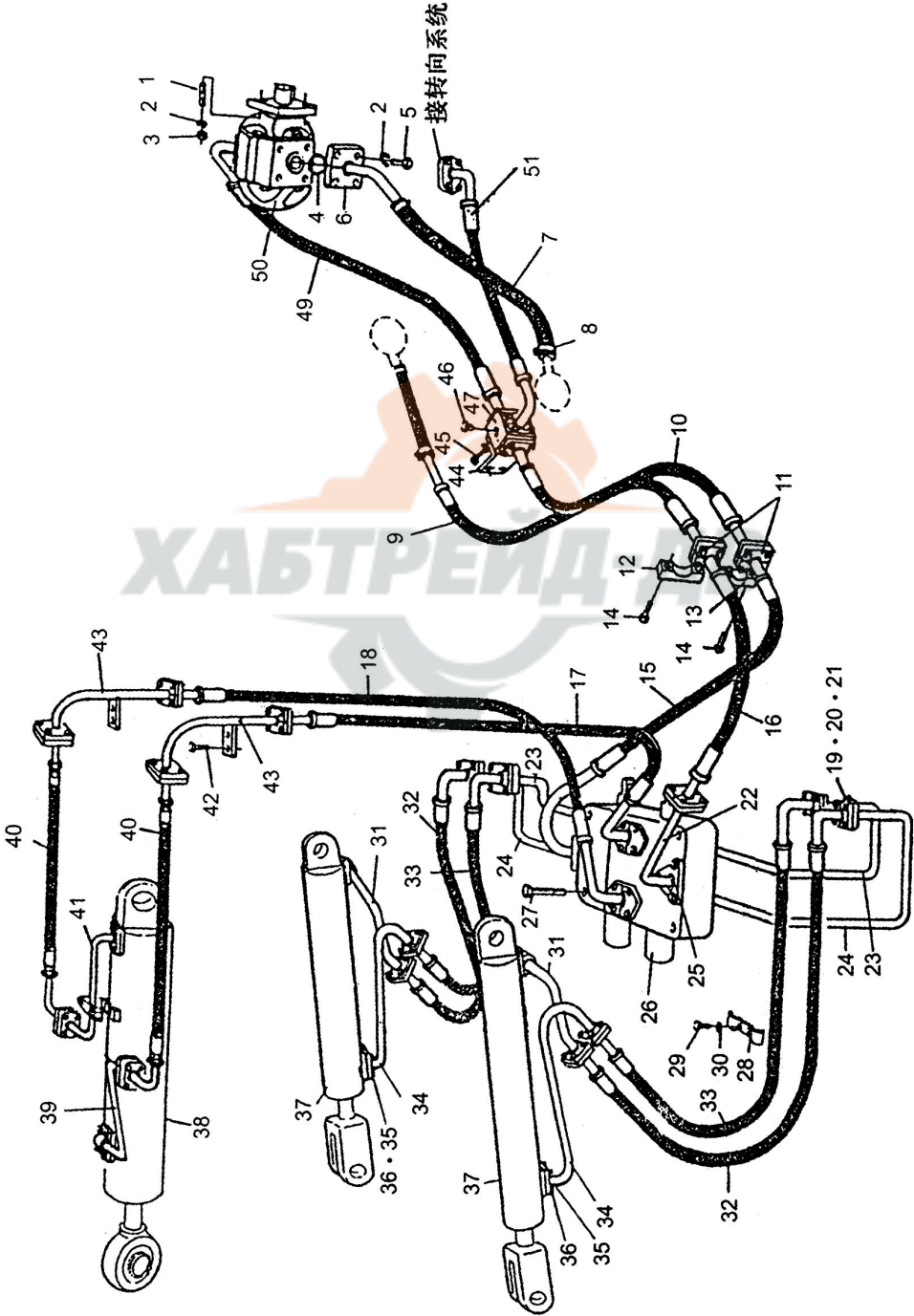


501-1	GB898-88	螺柱 AM12×35	bolt AM12×35	4
2	GB93-87	弹性垫圈 12	lock washer 12	30
3	GB6170-86	螺母 M12	nut M12	8
4	GB3452.2-1992	O 型圈 Φ43.7×3.55	"O" ringΦ43.7×3.55	1
5	GB5783-86	螺栓 M12×30	bolt M12×30	4
6	ZL50G3-06046	工作泵吸油接头	suction adapter, working pump	1
7	ZL50G3-06020	低压耐油胶管[L=740]	oil resistant tube low pressure	1
8		双钢丝卡箍(57-62)	double steel wire hose clamp	8
9	ZL50G2-06026B	工作阀回油管 I(38.1-1294)	oil return tube I , working valve	1
10	ZL50G2-06025	工作阀进油管 H(31.8-1220)	oil inlet tube II , working valve	1
11	5IH-24	法兰	flange	2
12	ZL50G2-06024	油管固定卡 I	tube clip	2
13	ZL50G2-06027	油管固定卡	tube clip	1
14	GB5782-86	螺栓 M10×55	bolt M10×55	6
15	ZL50F III-06015	工作阀进油管 I (31.8-1050)	oil inlet tube I ,working valve	1
16	ZL50F III-06017	工作阀回油管 II (38.1-660)	oil return tube II , working valve	1
17	ZL50F III-06016	翻斗缸进油管 II (25.4-890)	oil inlet tube II of tilting cylinder	1
18	ZL50F III-06018	翻斗缸进油管 I(25.4-900)	oil inlet tube I of tilting cylinder	1
19	51H-2D	法兰	flange	25
20	GB5783-86	螺栓 M10×35	bolt M10×35	101
21	GB93-87	弹性垫圈 10	lock washer 10	135
22	ZL50F III-06019	工作阀回油接头	return port adapter of working valve	1
23	ZL50F III-06020	工作阀大腔中接头	mid-adapter to large chamber of working vale	1
24	ZL50F III-D6021	工作阀小腔中接头	mid-adapter to small chamber of working valve	1
25	GB1235-76	O 型圈 Φ50×3.1	"O" ringΦ50×3.1	1
26	DF32.2C	多路换向阀	distnbution valve	1
27	GB5780-86	螺栓 M12×120	bolt M12×120	2
28	ZL50G2-06047	管卡	clip	8
29	GB5781-86	螺栓 M8×25	bolt M8×25	6
30	GB93-87	弹性垫圈 8	lock washer 8	28

第 501 图

工作装置液压系统

FIG.501 WORKING DEVICE HYDRAULIC SYSTEM



工作装置液压系统

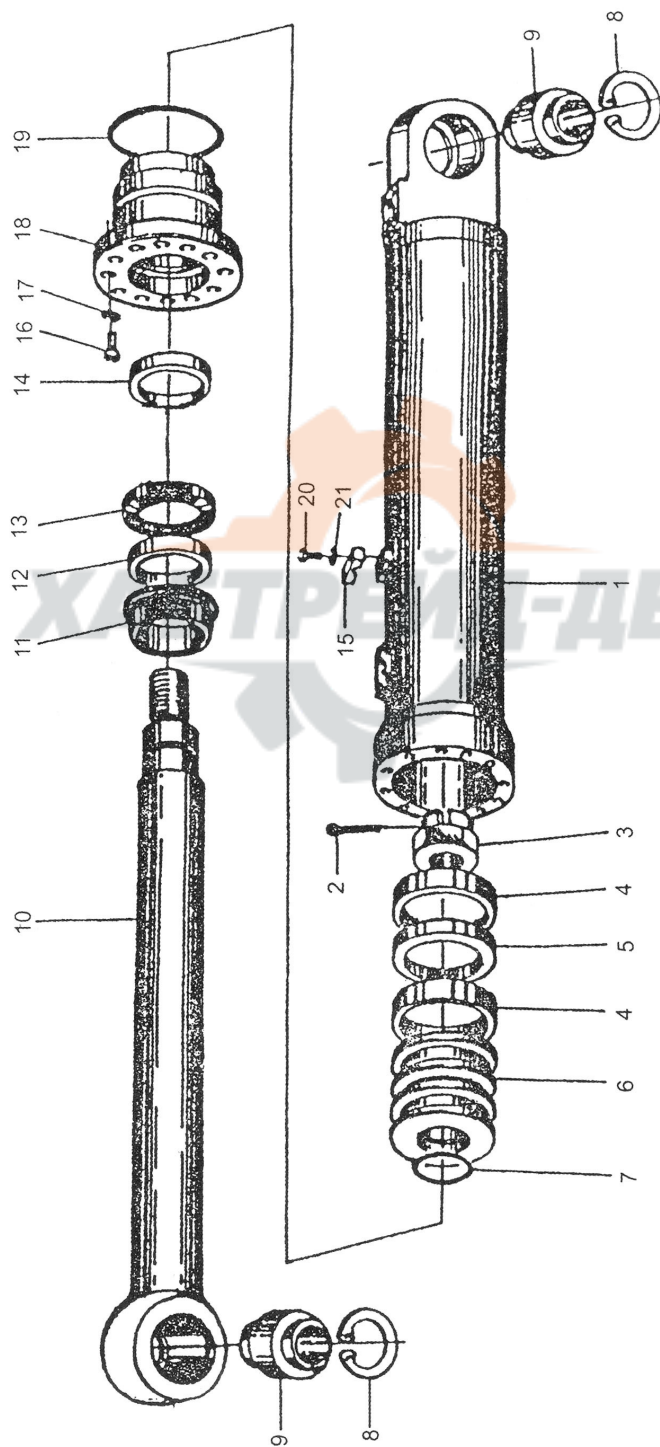
WORKING DEVICE HYDRAULIC SYSTEM

序号 Index No.	件 号 Part No.	名 称 Description	数量 Q'ty	
501-31	ZL50G2-06048	举升缸大腔接头(左)	adapter, bottom end of lifting cylinder (L)	1
	ZL50G2-06049	举升缸大腔接头(右)	adapter, bottom end of lifting cylinder (R)	1
32	ZL50G2-06041	举升缸大腔油管(25.4-1262)	oil tube to large chamber of lifting cylinder	2
33	ZL50G2-06042	举升缸小腔油管(25.4-1330)	oil tube to small chamber of lifting cylinder	2
34	ZL50G2-06045	举升缸小腔接头(左)	adapter, head end of lifting cylinder (L)	1
	ZL50G2-06046	举升缸小腔接头(右)	adapter, head end of lifting cylinder (R)	1
35	GB3452.2-1992	O 型圈 $\Phi 32.5 \times 3.55$	"O" ring $\Phi 32.5 \times 3.55$	6
36	GB5782-86	螺栓 M10×65	bolt M10×65	24
37	ZL50G2	举升缸总成	lifting cylinder asy	2
38	ZL50G2	转斗缸总成	tilting cylinder asy	1
39	ZL50G2-06002	转斗缸小腔接管	pipe to head end of tilting cylinder	1
40	ZL50G2-06003	转斗缸油管(25.4-1208)	tube, tilting cylinder	2
41	ZL50G2-06004	转斗缸大腔接管	pipe to bottom end of tilting cylinder	1
42	GB5783-86	螺栓 M12×25	bolt M12×25	6
43	ZL50G2-06005	翻斗油管中间接头	mid-adapter to tilting tube	2
44	ZL50G2-06039	油路板固定板	set plate of oil board	1
45	GB5781-86	螺栓 M10×20	bolt M10×20	2
46	GB1000-77	螺塞 M14×1.5	thread plug M14×1.5	1
47	ZL50G2-06040	油路板	oil board	1
49	ZL50G3-06021A	工作泵出油管(25.4-800)	outlet tube, working pump	1
50	CBGj3125	齿轮泵(反转矩形花键)	gear pump	1
51	ZL50G3-05023	优先阀到油路板合流管	tube, priority valve to oil board	1

第 502 图

转斗油缸

FIG.502 STEERING CYLINDER ASSEMBLY



转斗油缸

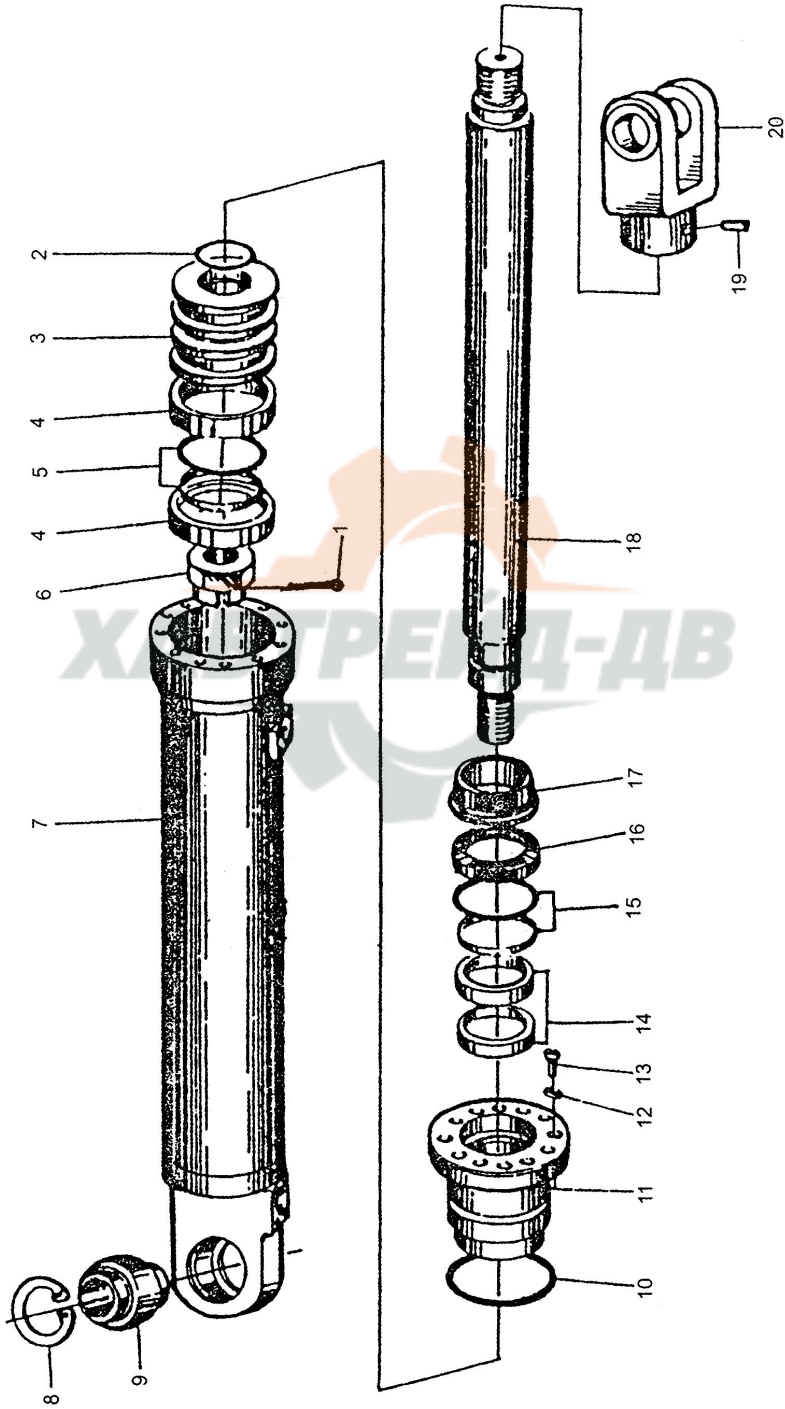
STEERING CYLINDER ASSEMBLY

序号 Index No.	件 号 Part No.	名 称 Description	数量 Q'ty
502-1		缸体 cylinder block	1
2	GB91-86	开口销 10×120 split pin 10×120	1
3	GB6178-86	槽形螺母 slot nut	1
4	RB132	孔用组合封 CKW200 combined seal ring CKW200	2
5	RB132	孔刚支承环 support ring S200×19.5×2.5 S200×19.5×2.5	1
6		活塞 piston	1
7	GB/T3452.1	O 型圈 109×3.55 "O" ring 109×3.55	1
8	GB893.1-86	挡圈 120 snap ring 120	4
9	GB/T9163	关节轴承 GE80ES joint bearing GE80ES	2
10		活塞杆 piston rod	1
11	GB10708.3	防尘圈 dust ring FC110×12.5×8.5 FC110×12.5×8.5	1
12	GB10708.1	"Y" 型圈 1110×130×16 "Y" ring 1110×130×16	1
13	RB132	Y 型圈 110×130×16 combined seal ring 轴用组合封 CKS-1100 CKS-1100	1
14	RB132	支承环 supporting ring 杆用支承环 G110×44.5×2.5 G110×44.5×2.5	1
15		管夹 clip	1
16	GB5785-86	管夹 bolt M18×1.5×65	12
17	GB93-87	螺栓 M18×1.5×65 lock washer 18	12
18		弹垫 18 cylinder cover	1
19	GB/T3452.1	缸盖 "O" ring 190×5.3	1
20	GB5781-86	O 型圈 190×5.3 bolt M10×45	2
21	GB93-87	螺栓 M10×45 lock Washer 10 弹垫 10	2

第 503 图

举升油缸

FIG.503 LIFTING CYLINDER ASSEMBLY



举升油缸

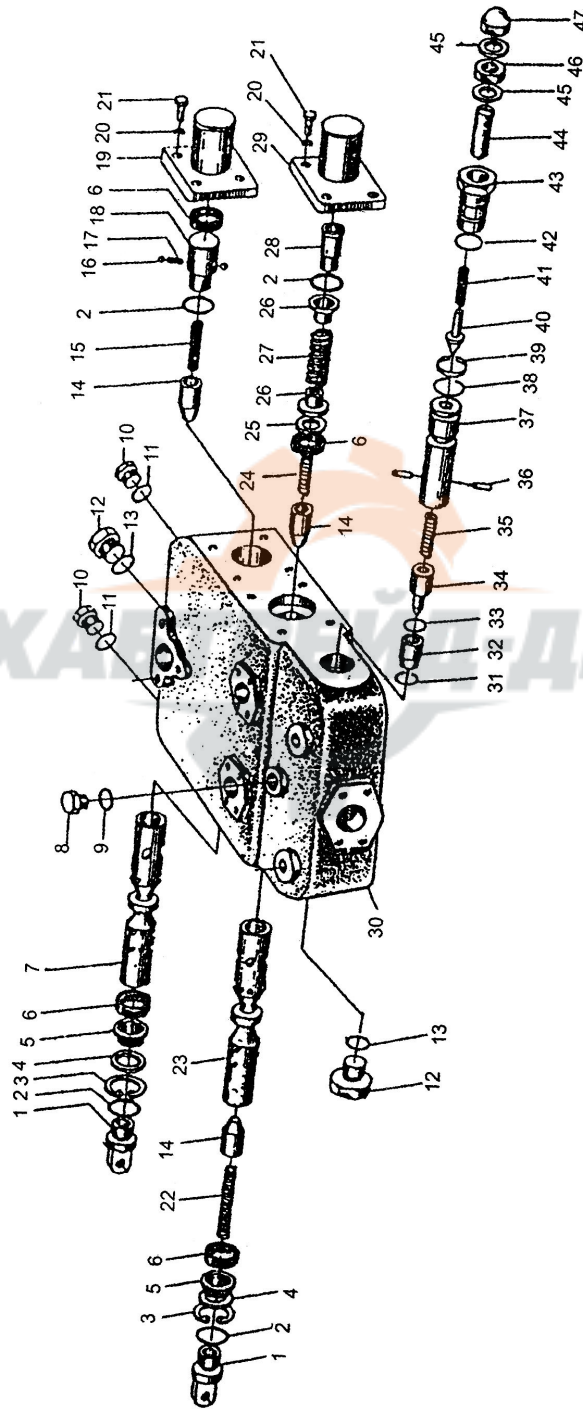
LIFTING CYLINDER ASSEMBLY

序号 Index No.	件 号 Part No.	名 称 Description	数量 Q'ty
503-1	GB91-86	开口销 split pin	1
2	GB/T3452.1	O 型密封圈 100×3.55 "O"-ring 100×3.55	1
3		活塞 piston	1
4	RB132	支承环 S180×14.8×2.5 support ring	2
5	RB132	孔用组合封 CKW180 glyd ring	2
6		槽形螺母 slot nut	1
7		缸体 cylinder block	1
8	GB893.1-86	挡圈 105 snap ring 105	2
9	GB304.5-81	关节轴承 GE70ES joint bearing GE70ES	1
10	GBT3452.1	O 型密封圈 170×5.3 "O"-ring 170×5.3	1
11		缸盖 guide sleeve	1
12	GB93-87	垫圈 18 washer 18	10
13	GB/T5785-886	螺栓 M18×1.5×60 bolt M18×1.5×60	10
14	RB132	支承环 G100×44.5×2.5 support ring G100×44.5×2.5	1
15	RB132	轴用组合封 CKS 1000 step seal CKS 1000	1
16	GB10708.1	Y 型密封圈 "Y"-ring 100×120×16 100×120×16	1
17	GB10708.3	防尘圈 FC100×1.5×8.5 dust ring FC100×1.5×8.5	1
18		活塞杆 piston rod	1
19	GB/T	螺钉 M8×16 bolt M8×16	1
20		叉形耳环 ear ring	1
21	GB93-87	垫圈 8 washer 8	2

第 504 图

工作分配阀

FIG.504 WORKING DISTRIBUTION VALVE



工作分配阀

WORKING DISTRIBUTION VALVE

序号 Index No.	件 号 Part No.	名 称 Description	数量 Q'ty
-----------------	-----------------	--------------------	------------

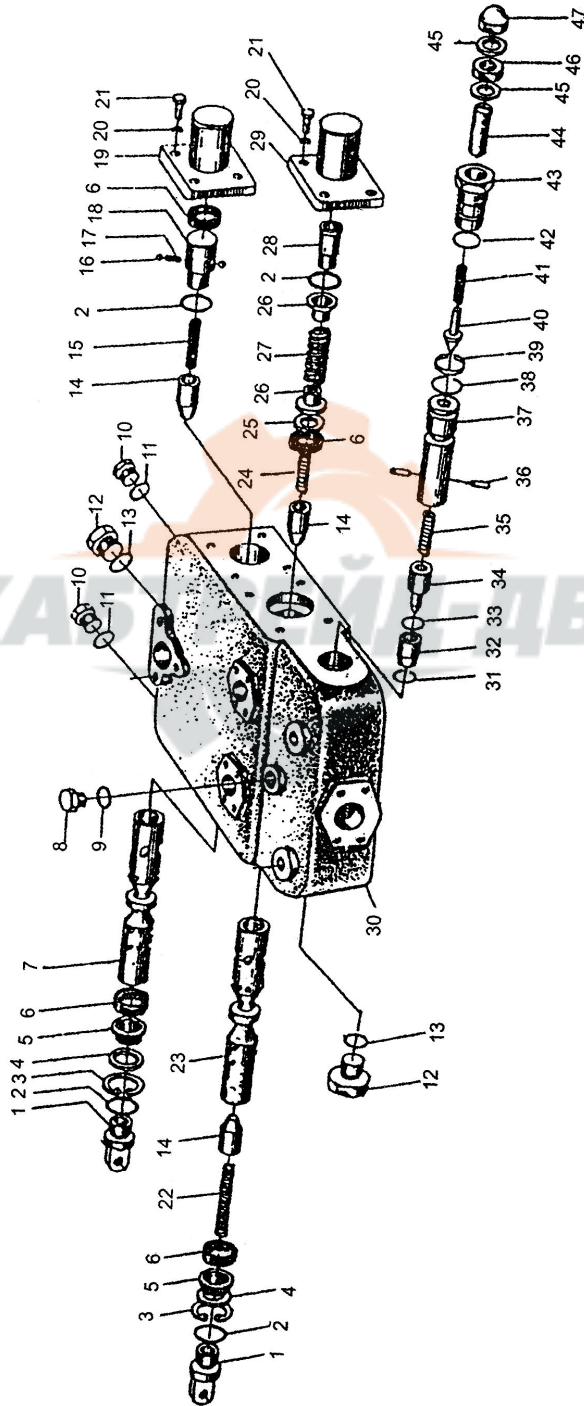


504-1		弹簧座	retainer	2
2	GB1235-76	O 型圈 28×3.1	"O"-ring 28×3.1	4
3		挡圈 60	snap ring 60	2
4	GB1235-76	压紧环	clamp ring	2
5	GB893.1-86	密封环	sealing ring	2
6		骨架油封 SG35×56×12	skeleton type oil seal SG35×56×12	4
7		动臂滑阀	boom valve spool	1
8		螺塞 M14×1.5	thread pug M14×1.5	1
9	GB1235-76	O 型圈 16×2.4	"O"-ring 16×2.4	1
10		螺塞	thread plug	2
11	GB1235-76	O 型圈 22×2.4	"O"-ring 22×2.4	2
12		螺塞	thread plug	2
13	GB1235-76	O 型圈 32×3.1	"O"-ring 32×3.1	2
14		单向阀	check valve	3
15		弹簧	spring	1
16		钢球 Φ11	steel ball Φ11	2
17		弹簧	spring	1
18		弹簧座	retainer	1
19		定位套筒	positioning sleeve	1
20	GB93-87	弹性垫圈 8	lock washer 8	8
21	GB5783-86	螺栓 M8×20	bolt M8×20	8
22		弹簧	spring	1
23		转斗滑阀	tilting valve spool	1
24		弹簧	spring	1
25		垫板	spacer	1
26		弹簧压座	clamping retainer	2
27		回位弹簧	reset spring	1
28		弹簧座	retainer	1
29		端盖	end cover	1
30		阀体	valve block	1
31		钢丝挡圈	wire snap ring 20	1
32		回油阀芯	oil return valve spool	1
33	GB1235-76	O 型圈 20×2.4	"O"-ring 20×2.4	1
34		柱塞阀芯	plunger spool	1
35		弹簧	spring	1
36		固定销	set pin	9
37		安全阀套	safety valve sleeve	1
38		喷油圈	oil injection ring	1
39		钢丝挡圈 28	wire snap ring 28	1

第 504 图

工作分配阀

FIG.504 WORKING DISTRIBUTION VALVE



工作分配阀

WORKING DISTRIBUTION VALVE

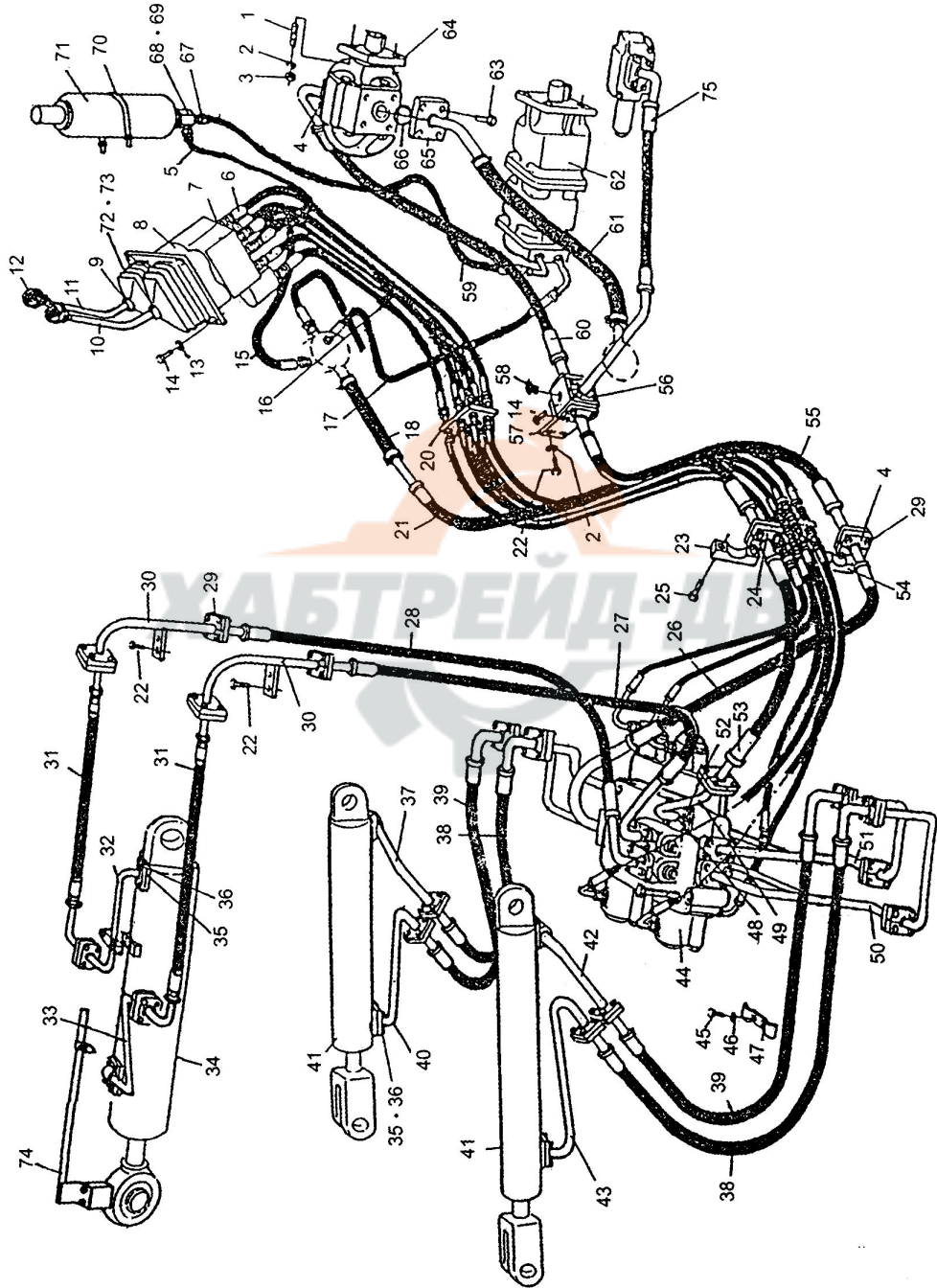
序号 Index No.	件 号 Part No.	名 称 Description	数量 Q'ty
504-40		阀芯 valve spool	1
41		弹簧 sprang	1
42		调整垫 adjusting shim	1 组
43		弹簧压盖 clamping cover of spring	1
44		调压丝杆 pressure-regulating screw	1
45		垫圈 lock washer	2
46		螺母 M12×1.25 nut M12×1.25	1
47		锁紧螺母 lock nut	1



第 505 图

工作装置液压系统（先导）（SL50W-2）

FIG.505 WORKING DEVICE HYDRAULIC SYSTEM(PPC)(SL50W-2)



工作装置液压系统（先导）（SL50W-2）

WORKING DEVICE HYDRAULIC SYSTEM (PPC)(SL50W-2)

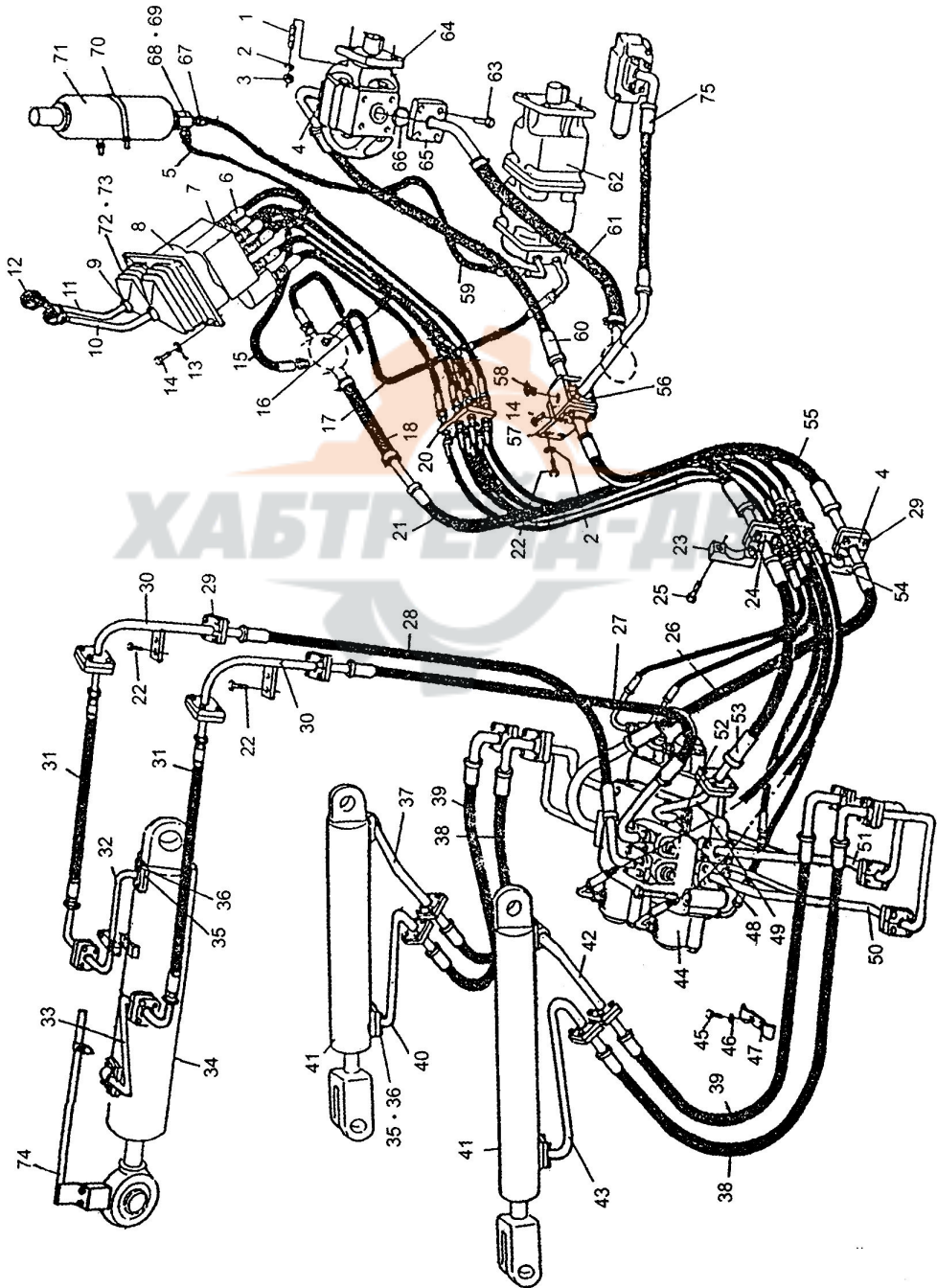
序号 Index No.	件 号 Part No.	名 称 Description	数量 Q'ty
-----------------	-----------------	--------------------	------------



505-1	GB898-88	螺柱 AM12×35	bolt AM12×35	4
2	GB93-87	弹性垫圈 12	lock washer 12	25
3	GB6170-86	螺母 M12	nut M12	11
4	GB3452.2-1992	O 型圈 $\Phi 37.5 \times 3.55$	"O"-ring $\Phi 37.5 \times 3.55$	22
5	ZL50G2-06016	先导油管(L=1560)	pilot oil tube	1
6	ZL50G2-06009	先导油管(L=2800)	pilot oil tube	2
7	ZL50G2-06007	接头	adapter	13
8	DJS2-UU/UX	先导阀	PPC valve	1
9	GB6171-86	螺母 M12×1.25	nut M12×1.25	2
10	ZL50G2-06015	翻斗操纵杆	tilting control lever	1
11	ZL50G2-06014	举升操纵杆	lifting control lever	1
12		手柄套	handle sleeve	2
13	GB93-87	弹性垫圈 10	lock washer 10	122
14	GB5781-86	螺栓 M10×20	bolt M10×20	6
15	ZL50G2-06017	先导油管(L=850)	pilot oil tube	1
16	ZL50G2-06019	先导油管(L=3020)	pilot oil tube	3
17	ZL50G2-06016	先导油管(ZL50G-11)	pilot oil tube	1
18	ZL50G2-06023	低压耐油胶管(L=290)	low pressure oil resistan tube	1
20	ZL50G2-06037	先导油管固定板	set plate far pilot tube	2
21	ZL50G2-06026B	工作阀回油管 I (38.1- 1294)	oil return tube I of working valve	1
22	GB5781-86	螺栓 M12×25	bolt M12×25	6
23	ZL50G2-06024	油管固定卡 I	tube clip I	2
24	51H-24	法兰	flange	3
25	GB5780-86	螺栓 M10×55	bolt M10×55	6
26	ZL50G2-06029	工作阀进油管 I(31.8-850)	oil inlet rube I to working valve	1
27	ZL50G2-06033	工作阀中间油管 I(25.4- 780)	mid-pipe I to working valve	1
28	ZL50G2-06028	工作阀中间油管 II(25.4-820)	mid-pipe II to working valve	1
29	51H-20	法兰	flange	24
30	ZL50G2-06005	翻斗油管中间接头	mid-adapter of tilting tube	7
31	ZL50G2-06003	翻斗缸油管(25.4-1208)	tube to tilt cylinder	2
32	ZL50G2-06004	翻斗缸大腔接管	pipe to bottom end of tilting cylinder	1
33	ZL50G2-06002	翻斗缸小腔接管	pipe to head end of tilting cylinder	1
34	ZL50G2	翻斗油缸总成	tilt cylinder asy	1
35	GB3452.2-1992	O 型圈 $\Phi 32.5 \times 3.55$	"O"-ring $\Phi 32.5 \times 3.55$	6

第 505 图 工作装置液压系统（先导）（SL50W-2）

FIG.505 WORKING DEVICE HYDRAULIC SYSTEM(PPC)(SL50W-2)



工作装置液压系统（先导）（SL50W-2）

WORKING DEVICE HYDRAULIC SYSTEM (PPC)(SL50W-2)

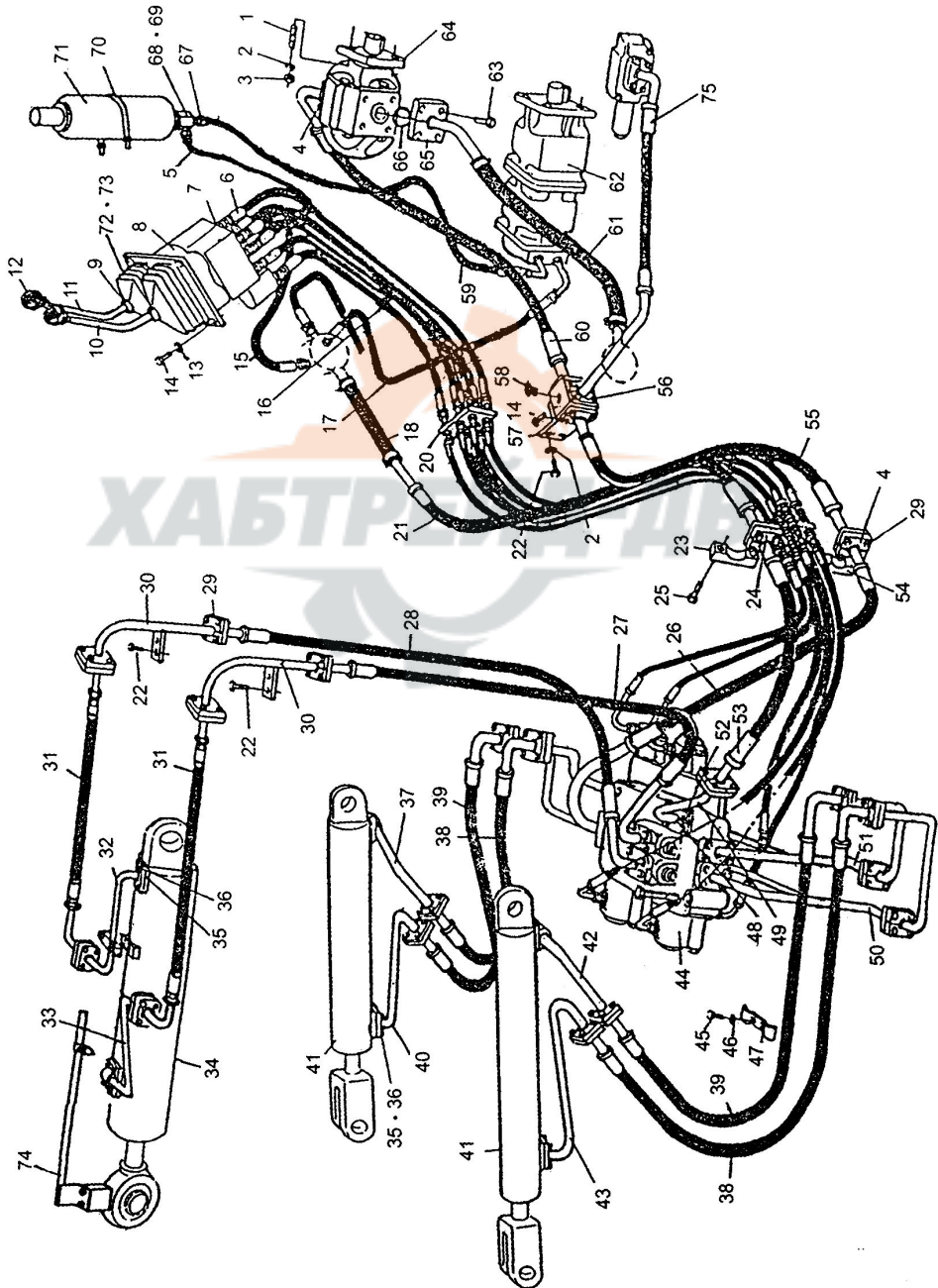
序号 Index No.	件 号 Part No.	名 称 Description	数量 Q'ty
-----------------	-----------------	--------------------	------------



505-36	GB5783-86	螺栓 M10×65	bolt M10×65	24
37	ZL50G2-06049	举升缸大腔接头(右)	adapter to bottom end of lifting cylinder (R)	1
38	ZL50G2-06041	举升缸大腔油管(25.4-1242)	oil tube to large chamber of lifting cylinder	2
39	ZL50G2-06042	举升缸小腔油管(25.4-1330)	oil tube to small chamber of lifting cylinder	2
40	ZL50G2-06046	举升缸小腔接头(右)	pipe to head end of lifting cylinder(R)	1
41	ZL50G2	举升缸总成	lifting cylinder asy	2
42	ZL50G2-06048	举升缸大腔接头(左)	adapter to bottom end of lifting cylinder (L)	1
43	ZL50G2-06045	举升缸小腔接头(左)	pipe to head end of lifting cylinder (L)	1
44	D32.2	液控整体多路阀	distribution valve	1
45	GB5781-86	螺栓 M8×25	bolt M8×25	8
46	GB93-87	弹性垫圈 8	lock washer 8	26
47	ZL50G2-06047	管卡	tube clip	8
48	GB3452.2-1992	O 型圈 Φ43.7×3.55	"O" ringΦ43.7×3.55	1
49	ZL50G2-06032	工作阀回油接头	oil return pipe of working valve	1
50	ZL50G2-06035	工作阀小腔中接头	mid-adapter to small chamber of working vale	1
51	ZL50G2-06034	工作阀大腔中接头	mid-adapter to large chamber of working valve	1
52	GB5783-86	螺栓 M12×30	bolt M M12×30	8
53	ZL50G2-06030	工作阀回油管 II(38.1-535)	oil return pipe II of working valve	1
54	ZL50G2-06027	油管固定卡	tube clip	1
55	ZL50G2-06025	工作阀进油管 II (31.8-1220)	oil inlet tube II to working valve	1
56	ZL50G2-06040	油路板	oil board	1
57	ZL50G2-06039	油路板固定板	set plate of oil board	1
58	JB1000-77	螺塞 M14×1.5	thread plug M14×1.5	1
59	JH100-81	先导油管(L=900)	pilot tube	1
60	ZL50G2-06020	工作泵出油管(25.4-1180)	oil outlet tube,working pump	1
61	ZL50G2-06018	低压耐油胶管(L=1360)	low pressure oil resistant tube	1
62	CBGq2080/Gb1010	双联齿轮泵(左旋)	tandem gear pump	1

第 505 图 工作装置液压系统（先导）（SL50W-2）

FIG.505 WORKING DEVICE HYDRAULIC SYSTEM(PPC)(SL50W-2)



工作装置液压系统（先导）（SL50W-2）

WORKING DEVICE HYDRAULIC SYSTEM (PPC)(SL50W-2)

序号 Index No.	件号 Part No.	名称 Description		数量 Q'ty
505-63	GB5783-86	螺栓 M10×30	bolt M10×30	24
64	CBG3100	齿轮油泵(ZL50G-II)	gear pump	1
65	ZL50G2-06044	工作泵吸油接头	suction adapter, working pump	1
66	GB3452.2-1992	O型圈 Φ38.7×3.55	"O"-ring Φ38.7×3.55	2
67	ZL50G2-06013	接头	connector	1
68	DIF-L10H1	直通单向阀	check valve	1
69	ZL50G2-06012	接头总成	connector asy	1
70	ZL50G2-06010	"U"型螺栓	"U" bolt	1
71	NXQ1-L0.63/10-H	囊式蓄能器	accumulator	1
72	ZL50G2-06006	盖板	cover board	1
73	ZL50G2-06008	上盖	up board	1
74	ZL5062-06001	放平指标杆	level automatically direct staff	1
75	ZL50G2-05023	优先阀到油路板合流管	tube priority valve to oil board	1

先导阀总成(SL50W-2)

PILOT CONTROL VALVE ASSEMBLY(SL50W-2)

序号 Index No.	件 号 Part No.	名 称 Description	数量 Q'ty
-----------------	-----------------	--------------------	------------

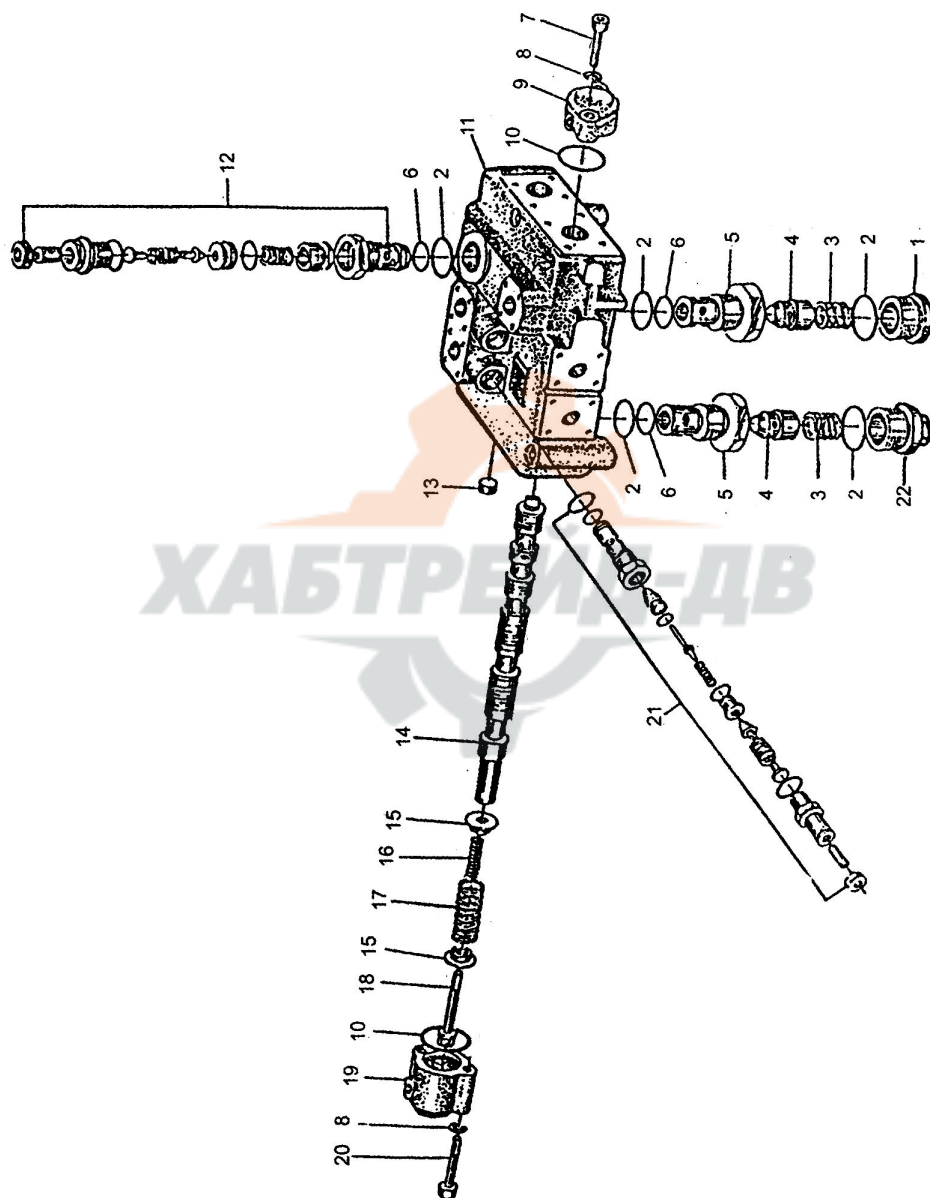


506-1		橡胶罩	rubber cover	2
2		丝座	thread retainer	2
3		压板	pivot plate	2
4		螺母	nut	2
5		压销组	clamp pin group	2
6		固定螺栓	bolt	4
7		固定板	set plate	1
8		线圈总成	coil assembly	4
9		弹簧导管	spring guide	4
10		挺柱	plunger	4
11		弹簧座	retainer	4
12		回位弹簧	centering spring	4
13		阀座 I	valve seat I	3
14		计量阀芯 I	metering valve stem I	4
15		密封圈	seal ring	1
16		密封圈	seal ring	1
17		举升联阀体	valve block, lifting portion	1
18		螺栓	bolt	3
19		计量弹簧	metering spring	2
20		弹簧座	retainer	8
21		垫片	spacer	4
22		密封圈	seal ring	4
23		密封圈	seal ring	4
24		法兰	flange	2
25		压杆 I	push rod I	2
26		弹簧	spring	2
27		垫片	spacer	2
28		导向座 I	guide retainer I	2
29		垫片	spacer	8
30		绝缘片	isolator	8
31		丝绪	thread plug	1
32		弹簧导管	spring guide	1
33		弹簧	spring	1
34		计量阀芯 II	metering valve stem II	1
35		阀座 II	valve seat II	2
36		弹簧	spring	2
37		螺母	nut	3
38		转斗联阀体	valve block, tilting portion	1
39		弹簧	spring	2
40		导向座 II	guide retainer II	2

第 507 图

工作分配阀（先导）(SL50W-2)

FIG.507 WORKING DISTRIBUTION VALVE (PPC) (SL50W-2)



工作分配阀（先导）(SL50W-2)

WORKING DISTRIBUTION VALVE (PPC) (SL50W-2)

序号 Index No.	件 号 Part No.	名 称 Description	数量 Q'ty
507-1	D1-32-17	盖 cover	3
2	GB1235-76	O 型圈 50×3.5 "O" ring 50×3.5	6
3	D1-32-19	弹簧 1.6×20×64 spring 1.6×20×64	4
4	D1-32-18	锥形阀 cone valve	3
5	D1-32-16	阀套 sleeve	4
6	GB1235-76	O 型圈 4.0×3.1 "O" ring 4.0×3.1	8
7	GB70-85	螺钉 M10×30 screw M10×30	4
8	GB848-76	垫圈 10 washer 10	8
9	D1-32-20	端盖 end cover	2
10	GB1235-76	O 型圈 60×3.1 "O" ring 60×3.1	2
11	D1-32-01	阀体 valve block	1
12	YI-32F	安全阀 safety valve	1
13	JB/ZQ4447-86	螺塞 Z1/2" thread plug Z1/2"	1
14	D1-32-02Q	滑阀(O 型) slide valve(O type)	2
15	D1-32-08	弹簧座 retainer	4
16	D1-32-06	弹簧 2.5×26×56 spring 2.5×26×56	2
17	D1-32-05	弹簧 7×50×48 spring 7×50×48	2
18	D1-32-11	防松螺钉 M10×25 lock screw M10×25	2
19	D1-32-07	端盖 end cover	2
20	GB70-85	螺钉 M10×90 screw M10×90	4
21	YJ-25F	过载阀 overload valve	1
22	D1-32-14	盖 cover	1

双联泵（先导）(SL50W-2)

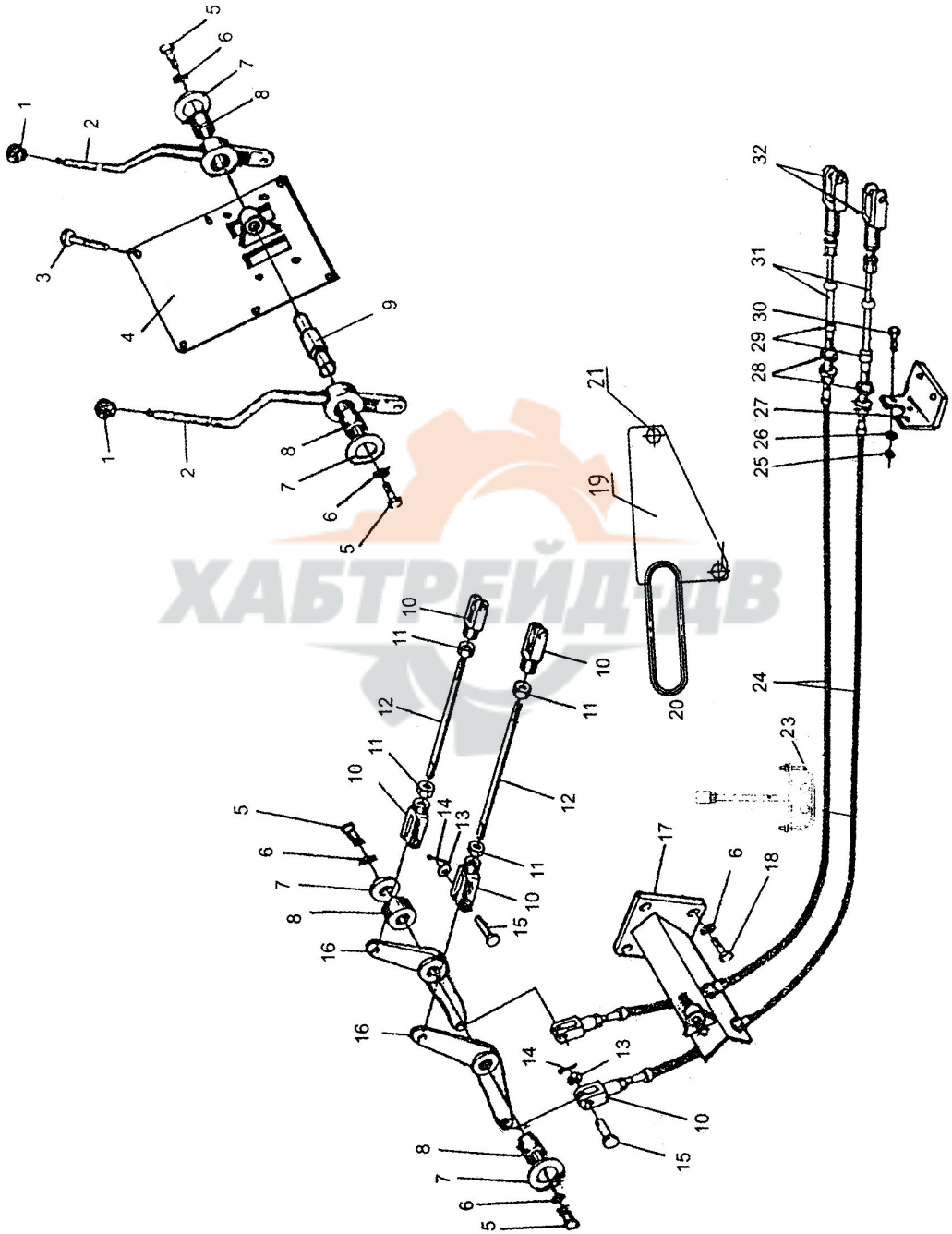
TANDEM PUMP (PILOT) (SL50W-2)

序号 Index No.	件 号 Part No.	名 称 Description	数量 Q'ty	
508-1		弹性挡圈	elastic snap ring	1
2		油封	oil seal	2
3		前盖	front cover	1
4		密封圈	seal ring	2
5		前盖	front cover	1
6		轴承	bearing	4
7		轴套	sleeve	4
8		密封件	seal	2
9		侧板	side plate	2
10		从动齿轮轴	driven gear shaft	1
11		中间体	middle part	1
12		矩形密封圈	rectangular seal ring	2
13		泵体	pump block	1
14		轴承	bearing	4
15		轴套	sleeve	4
16		密封件	seal	2
17		侧板	side plate	2
18		弹性挡圈	elastic snap ring	1
19		从动齿轮 2	driven gear 2	1
20		后盖	rear cover	1
21		弹性垫圈 14	lock washer 14	4
22		螺栓 M14	bolt M 14	4
23		溢流阀	relief valve	1
24		主动齿轮 2	drive gear 2	1
25		主动齿轮轴	drive gear shaft	1
26		平键	flat key	1
27		弹性垫圈 16	lock washer 16	4
28		内六角圆柱头螺钉 M16	screw M16	4
29		弹性挡圈	elastic snap ring	1

第 509 图

工作阀操纵机构

FIG.509 WORKING VALVE CONTROL MECHANISM



工作阀操纵机构

WORKING VALVE CONTROL MECHANISM

序号 Index No.	件 号 Part No.	名 称 Description	数量 Q'ty
509-1	ZL50F III-06109	手柄套 handle knob	2
2	ZL50F III-06102	操纵杆 control lever	2
3	GB5781-86	螺栓 M8×20 bolt M8×20	10
4	ZL50F III-06101	操纵杆支座 control lever supporting frame	1
5	GB5781-86	螺栓 M10×20 bolt M10×20	8
6	GB93-87	弹簧垫圈 10 lock washer 10	12
7	ZL50F III-06112	档板 apron	4
8	ZL50F III-06119	衬套 bush	4
9	ZL50F III-06114	轴 shaft	1
10	ZL50F III-06110	连接叉 clevis	6
11	GB6171-86	螺母 M10×1 nut M10×1	12
12	ZL50F III-06103	连接杆 linkage rod	9
13	GB95-85	平垫圈 8 lock washer 8	6
14	GB91-86	开口销 2×30 split pin 2×30	8
15	ZL50F III-06111	销轴 pin	6
16	ZL50F III-06104	摆臂 rocker arm	2
17	ZL50F III-06105	摆臂支座 supporting frame for rocker ram	1
18	GB5783-86	螺栓 M10×25 bolt M10×25	4
19	ZL50F III-06122	软轴卡 clip for control cable	1
20	ZL50F III-06123	支架 set plate	1
21	GB5781-86	螺栓 M10×35 bolt M10×35	2
23	ZL50F III-06124	管卡 12×75 pipe clip 12×75	1
24		推拉软轴 Φ6×1950 control cable Φ6×1950	2
25	GB6170-86	螺母 M8 nut M8	14
26	GB93-87	弹簧垫圈 8 lock washer 8	22
27	ZL50F III-06115	支架 supporting frame	2
28	YHZ-018	圆关节轴承 joint bearing	4
29	ZL50F III-06117	丝套 silky bush	2
30	GB5781-86	螺栓 M8×25 bolt M8×25	12
31	ZL50F III-06119	短连接杆 short linkage rod	2
32	ZL50F III-06118	连接叉 clevis	2





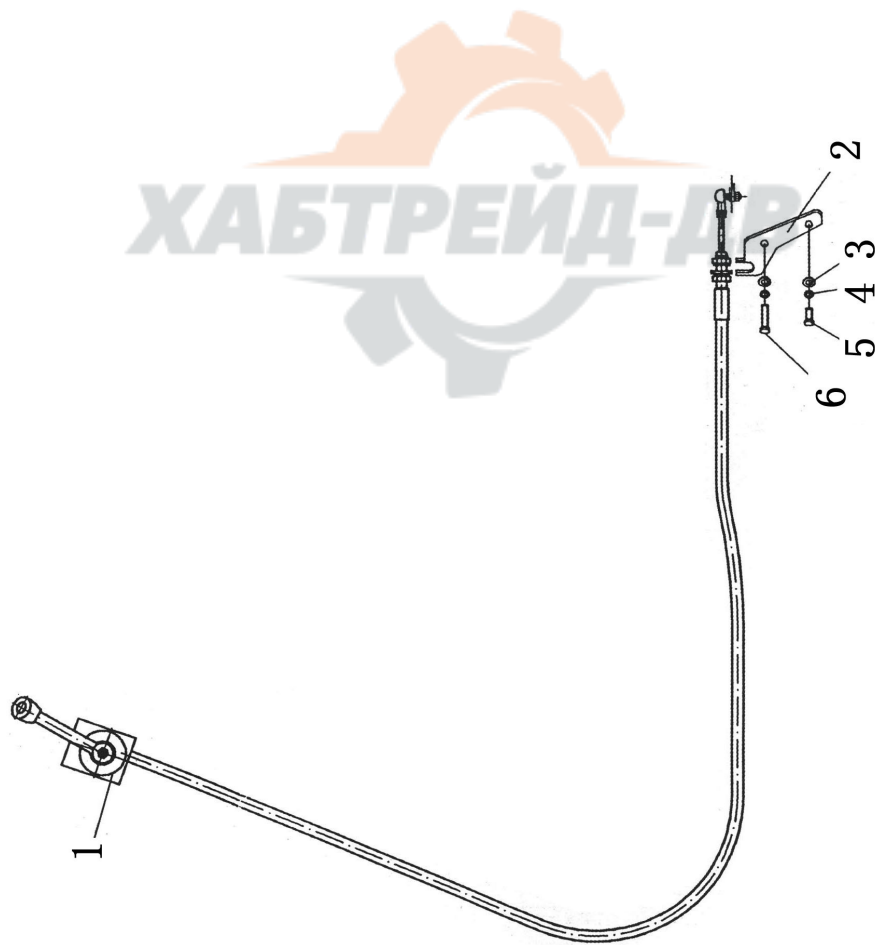
变 速 操 纵 机 构

TRANSMISSION CONTROL SYSTEM

第 601 图

变速操纵机构

FIG.601 GEARSHIFT CONTROL MECHANISM



变速操纵机构

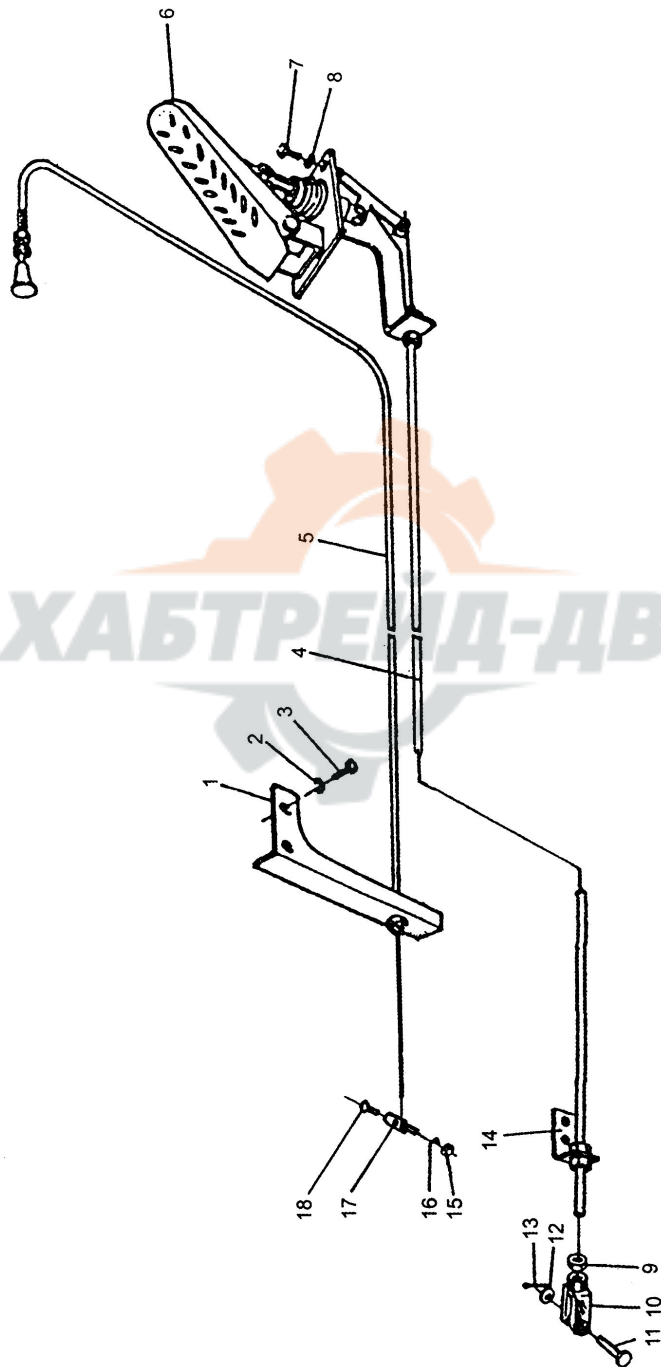
GEARSHIFT CONTROL MECHANISM

序号 Index No.	件 号 Part No.	名 称 Description	数量 Q'ty
601-1		变速操纵软轴 gearshift control cable	1
2	ZL50F III-03101	支架 set plate	1
3	GB95-85	垫圈 10 washer 10	2
4	GB93-87	弹簧垫圈 10 washer 10	2
5	GB5781-86	螺栓 M10×20 bolt M10×20	1
6	GB5781-86	螺栓 M10×40 bolt M10×40	1



第 602 图 加油机构

FIG.602 ACCELERATOR MECHANISM



加油机构

ACCELERATOR MECHANISM

序号 Index No.	件 号 Part No.	名 称 Description		数量 Q'ty
602-1	ZL50G2-01014	熄火支架	set plate for extinguishing cable	1
2	GB93-87	垫圈 8	washer 8	2
3	GB5781-86	螺栓 M8×16	bolt	2
4	ZL50G2-01009	油门软轴	push-pullcable for accelerator pedal	1
5	ZL50G2-01011	熄火软轴	extinguishing cable	1
6	XZ(QZ)1129001	油门操作阀	accelerator pedal	1
7	GB5781-86	螺栓 M6×16	bolt M6×16	5
8	GB93-87	垫圈 6	washer 6	5
9	GB6170-86	螺母 M6	nut M6	2
10	ZL50G2-01010	联接叉	clevis	2
11	GB882-86	销轴 6×20	pin 6×20	2
12	GB95-85	平垫 6	washer 6	2
13	GB91-86	开口销 2×20	split pin 2×20	2
14	ZL50G3-01013	油门支架	set plate for accelerator	1
15	GB6170-86	螺母 M5	nut M5	1
16	GB93-87	垫圈 5	washer 5	1
17	ZL50G3-01015	连接轴	connecting rod	1
18	GB5781-86	螺栓 M5×10	bolt M5×10	1
19	ZL50G3-01014	熄火支架	set plate for extinguishing cable	1



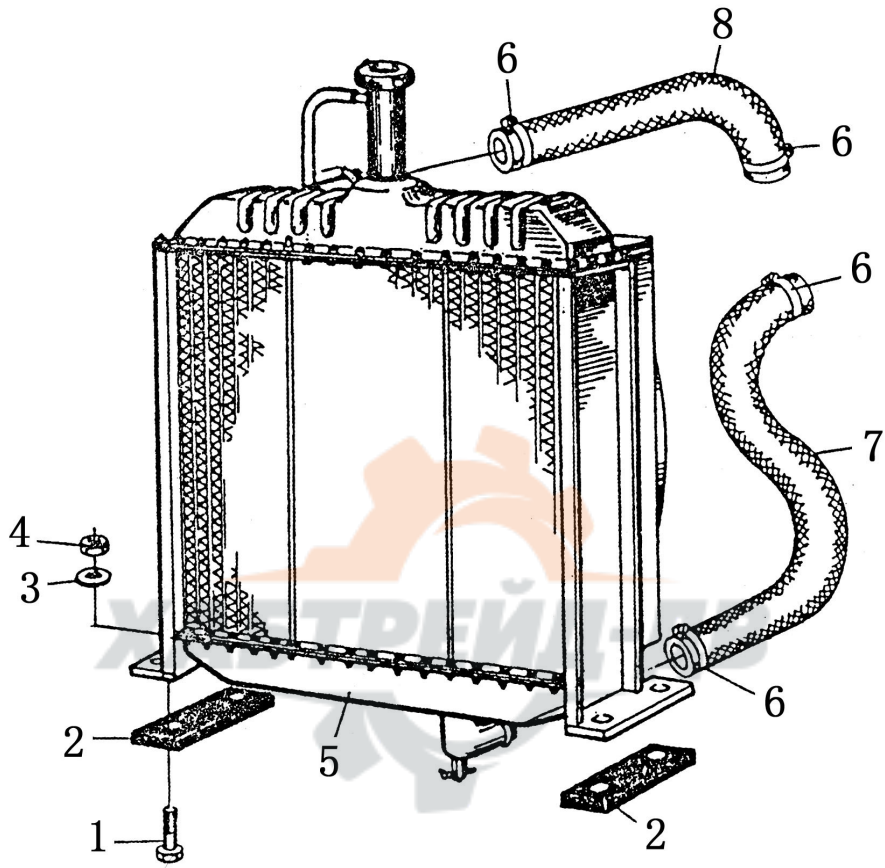
发 动 机 附 件

ENGINE RELEATED PARTS



第 701 图 水箱总成

FIG.701 ENGINE RADIATOR ASSEMBLY



水箱总成

ENGINE RADIATOR ASSEMBLY

序号 Index No.	件 号 Part No.	名 称 Description		数量 Q'ty
701-1	GB5782-86	螺栓 M14×55	bolt M14×55	4
2	ZL50G2-01002	水箱垫	damping spacer	2
3	GB95-85	垫圈 I4	washer I4	4
4	GB889-86	螺母 M14	nut M14	4
5	ZL50 III-1300000	水油结合散热器	oil & water radiator	1
6		双钢丝卡箍(55-60)	double steel wire hose clamp	4
7	ZL50G2-01003	发动机进水管 Φ55×45	engine inlet pipe	1
8	ZL50G2-01015	发动机进水管 Φ55×45	engine inlet pipe	1





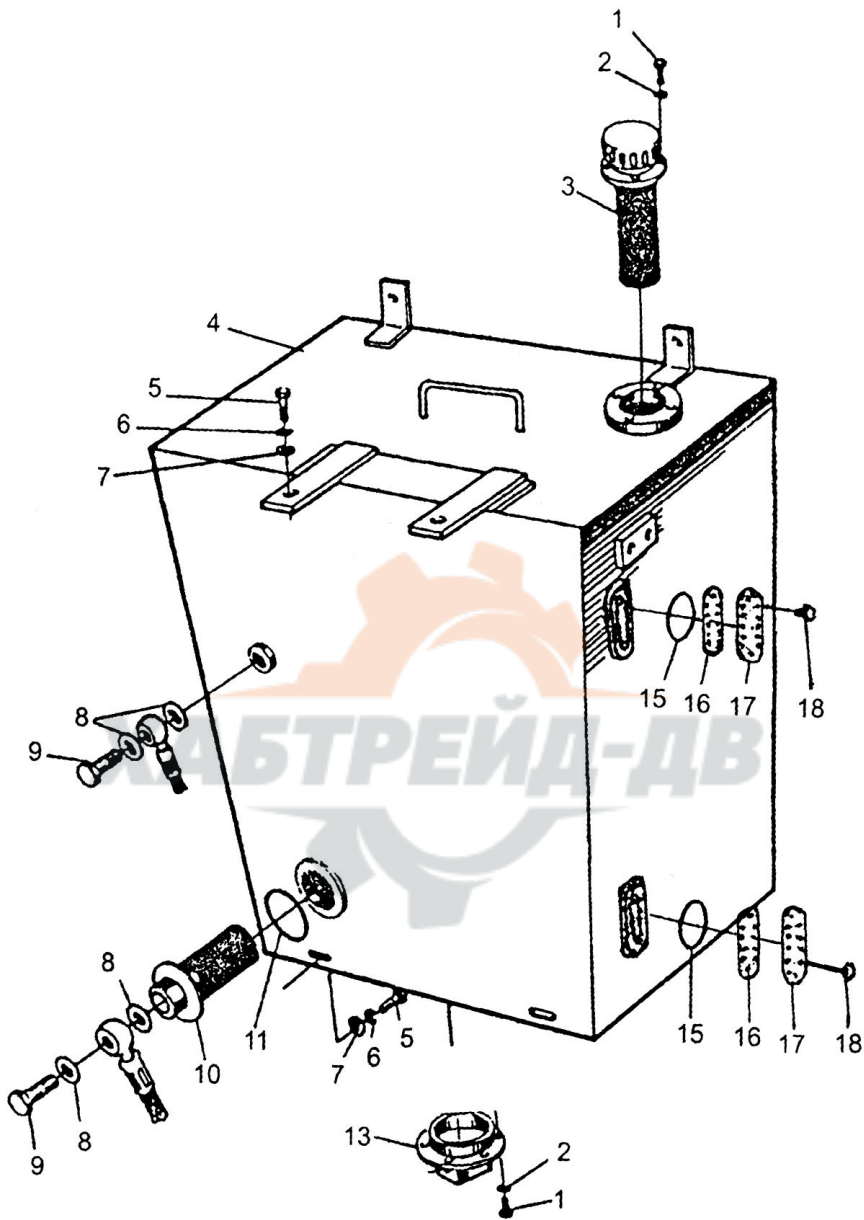
柴 油 箱

FUEL TANK



第 801 图 柴油箱总成

FIG.801 FUEL TANK ASSEMBLY



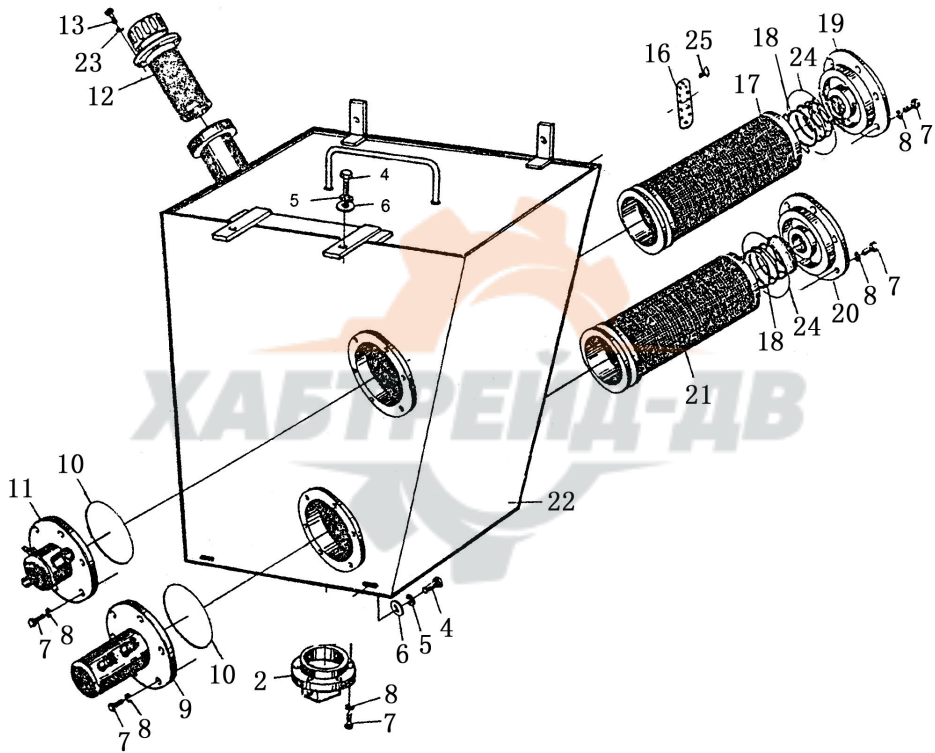
柴油箱总成

FUEL TANK ASSEMBLY

序号 Index No.	件 号 Part No.	名 称 Description		数量 Q'ty
801-1	GB5781-86	螺栓 M8×20	bolt M8×20	10
2	GB93-87	垫圈 8	washer 8	10
3	11A 180μm	加油滤清器	oil filler screen	1
4	ZL50G2-01201	柴油箱体	fuel tank	1
5	GB5783-86	螺栓 M20×40	bolt M20×40	4
6	GB93-87	垫圈 20	washer 20	4
7	GB95-85	垫圈 20	washer 20	4
8	JB982-77	组合垫圈 14	washer 14	4
9	ZL50G2-01007	铰接螺栓	joint bolt	2
10	Wu25×100-J	吸油滤清器	oil filler	1
11	GB1235-76	O 型圈 65×3.1	"O" ring 65×3.1	1
13	ZL50G2-0620B	清洗口法兰	flange assembly seal gasket	1
15	GB1235-76	O 型圈 90×3.1		1
16	ZL50G2-01205	镜片	observational lens	2
17	ZL50G2-01206	油标盖	oil mark cover	2
18	GB68-85	螺钉 M6×20	bolt 6×20	24

第 802 图 机油箱总成

FIG.802 ENGINE OIL TANK ASSEMBLY



机油箱总成

ENGINE OIL TANK ASSEMBLY

序号 Index No.	件 号 Part No.	名 称 Description		数量 Q'ty
802-2	ZL50G2-06204B	清洗口法兰	flange assembly	1
4	GB5783-86	螺栓 M20×40	bolt M20×40	4
5	GB95-85	垫圈 20	washer 20	4
6	GB93-87	垫圈 20	washer 20	4
7	GB5783-86	螺栓 M8×20	bolt M8×20	18
8	GB93-87	垫圈 8	washer 8	18
9	ZL50G2-06021	吸油接头总成	suction connector asy	1
10	GB1235-76	O 型圈 65×3.1	"O" ring 65×3.1	2
11	ZL50G2-06022A	回油接头总成	oil return asy	1
12	QL-32	加油滤清器	oil filler screen	1
13	GB5781-86	螺栓 M6×35	bolt M6×35	4
16	YWZ-127	油标	oil mark	1
17	ZL50G2-06209	回油滤清器	return oil screen	1
18	ZL50G2-06202-2	弹簧	spring	2
19	ZL50G2-06202-1	滤网顶盖 1	screen cover 1	1
20	ZL50G2-06211-1	滤网顶盖 2	screen cover 2	1
21	ZL50G2-06207	吸油滤清器	suction oil screen	1
22	ZL50G2-06201	机油箱体	engine oil tank	1
23	GB93-87	垫圈 6	washer 6	4
24	GB1235-76	O 型圈 140×3.1	"O" ring 140×3.1	2
25	GB68-85	螺钉 M6×20	bolt M6×20	12
11	ZL50F III-06009A	回油接头总成	oil return asy	1



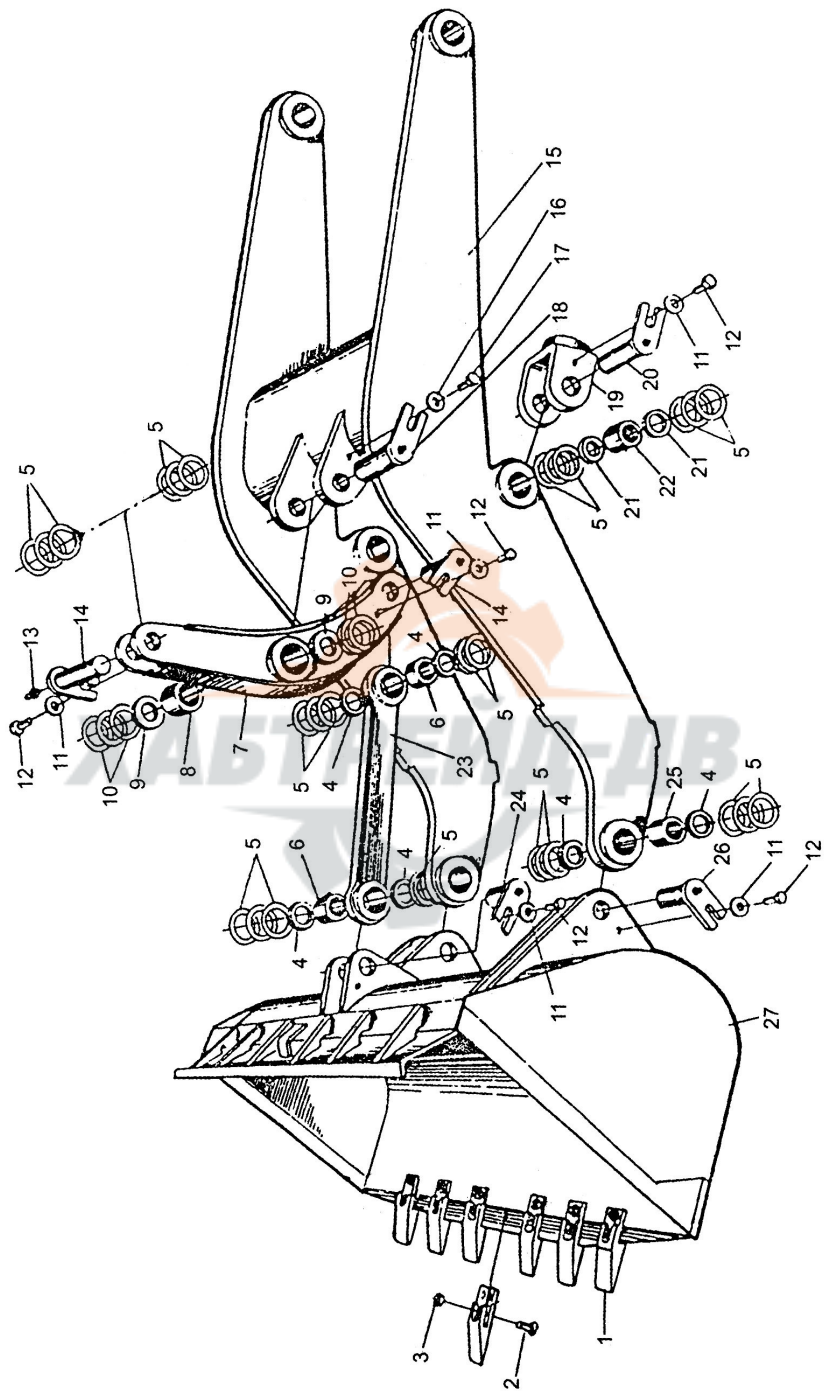
工 作 装 置 及 车 架

WORKING DEVICE & FRAME



第 901 图 工作装置总成

FIG.901 WORKER DEVICE & ASSEMBLY



工作装置总成

WORKER DEVICE & ASSEMBLY

序号 Index No.	件 号 Part No.	名 称 Description	数量 Q'ty	
901-1	ZL50G2-11100-1	中间斗齿	mid-bucket teeth	5
	ZL50G2-11100-2	角斗齿	corner bucket teeth	2
2	GB68-88	方头螺栓 M20×75	bolt M20×75	16
3	GB170-86	螺母 M20	nut M20	16
4	ZL50G2-11000-2	防尘圈	dustring	8
5	ZL50G2-11000-1	调整垫片	adjusting spacer	1 组
6	ZL50G2-11000-5	铲斗动臂衬套	bush, bucket linkage rod pin	2
7	ZL50G2-11300	摇臂	rocker arm	1
8	ZL50G2-11000-7	摇臂主销衬套	buch, rocker arm main pin	1
9	H64-692-67	油封 PD120×150×14	oil seal PD120×150×14	2
10	ZL50G2-11000-6	调整垫片	adjusting spacer	1 组
11	GB93-87	垫圈 20	washen 20	7
12	GB5783-86	螺栓 M20×30	bolt M20×30	7
13	GB1152-79	油杯 M10×1	oil cup M10×1	8
14	ZL50G2-11700	轴总成	shaft asy	2
15	ZL50G2-11400	动臂	lift arm	1
16	GB95-85	垫圈 24	washer 24	1
17	GB5783-86	螺栓 M24×40	boll M24×40	1
18	ZL50G2-11800	轴总成	shaft asy	1
19	ZL50G2-11000-9	举升缸叉头	lift cylinder head	2
20	ZL50G2-11900	轴总成	shaft asy	2
21	HG4-692-67	油封 PD70×90×12	oil seal PD70×90×12	4
22	ZL50G2-11000-8	动臂中销衬套	buch, lift arm middle pin	2
23	ZL50G2-11200	连杆	linkage rode	1
24	ZL50G2-11600	轴总成	shaft asy	1
25	ZL50G2-11000-3	铲斗动臂衬套	bush, Buchet & lift arm pin	2
26	ZL50G2-11500	轴总成	shaft asy	2
27	ZL50G2-11100	铲斗	bucket	1

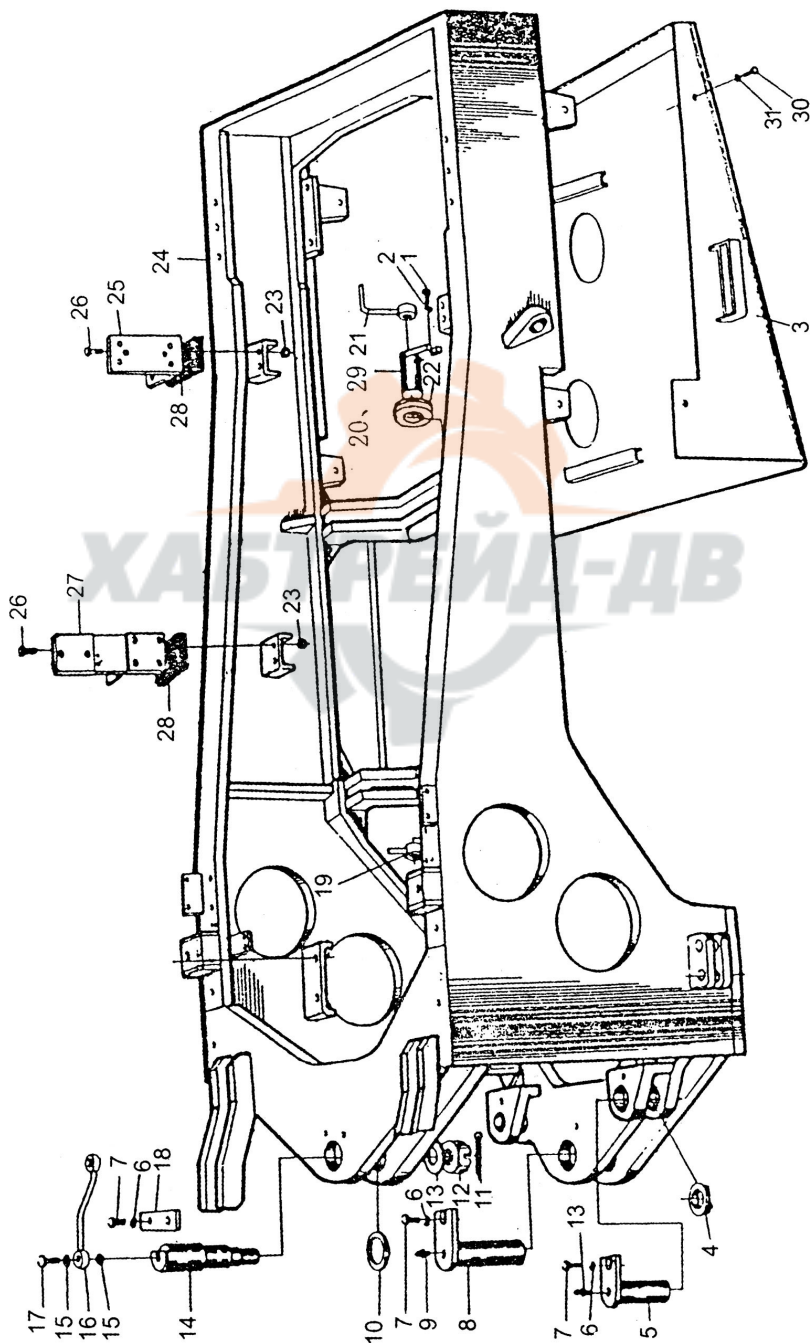
前车架总成

FRONT FRAME ASSEMBLY

序号 Index No.	件 号 Part No.	名 称 Description		数量 Q'ty
902-1	GB5783-86	螺栓 M12×35	bolt M12×35	8
2	01643-31232	垫圈 12	washer 12	31
3	ZL50G2-09005	轴承盖	bearing cover	1
4	SJM03-1	防尘圈 80	dust ring 80	1
5	GB304.5-81	关节轴承 GE70ES	joint bearing GE70ES	2
6	01016-51230	螺栓 M12×30	bolt M12×30	16
7	ZL50G2-09009	下铰接轴承盖	bearing cover, lower joint	2
8	SJM03-1	防尘圈 70	dust ring 70	2
9	ZL50G2-09003	铰接螺栓 M10×1	joint bolt M10×1	6
10	JB982-77	组合垫 10	washer 10	12
11	GB5783-86	螺栓 M12×35	bolt M12×35	5
12	GB95-85	垫圈 12	washer 12	3
13	ZL50G2-09700	前转向润滑油管	lubricating tube, F/steering	2
14	ZL50G2-09600	转向缸前销轴总成	F/pin asy, steering cylinder	2
15	GB5783-86	螺栓 M10×25	bolt M10×25	6
16	GB93-87	垫圈 10	washer 10	6
17	ZL50G2-09500	举升缸后销轴总成	R/pin asy, lifting cylinder	2
18	GB1152-79	油杯 M10×1	oil cup M10×1	9
19	GB5782-86	螺栓 M30×280	bolt M30×280	8
20	GB889-86	螺母 M30	nut M30	8
21	ZL50G2-13100	前挡泥板总成	from mud guard asy	2
22	GB5781-86	螺栓 M10×25	bolt M10×25	6
23	GB95-86	垫圈 10	washer 10	6
24	ZL50G2-09001	小盖板	cover plate	1
25	01010-50820	螺栓 M8×20	bolt M8×20	6
26	01643-30823	垫圈 8	washer 8	6
27	ZL50G2-15008	灯架总成	lamp frame asy	2
28	01643-32060	垫圈 20	washer 20	5
29	01016-52040	螺栓 M20×40	bolt M20×40	5
30	ZL50G2-09400	动臂后销轴总成	R/pin asy, lift arm	2
31	ZL50G2-09300	翻斗缸后销轴总成	R/pin asy, tilting cylinder	1
32	ZL50F III-09100	前车架	front frame	1
33	ZL50G2-09002	支承垫	support spacer	2

第 903 图 后车架总成

FIG.903 REAR FRAME ASSEMBLY



后车架总成

WREAR FRAME ASSEMBLY

序号 Index No.	件 号 Part No.	名 称 Description	数量 Q'ty
-----------------	-----------------	--------------------	------------

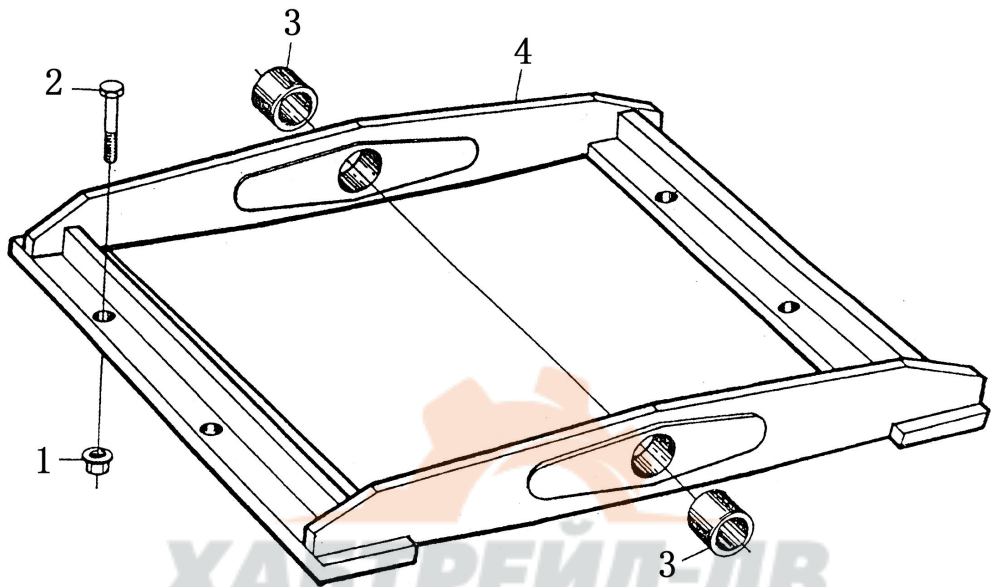


903-1	GB5783-86	螺栓 M20×40	bolt M20×40	4
2	GB95-85	垫圈 20	washer 20	4
3	ZL50G2-10300	防护罩	guard hood	1
4	ZL50G2-10007	支承套	support sleeve	2
5	ZL50G2-10500	转向缸轴	pin, steering cylinder	2
6	01643-31232	垫圈 12	washer 12	10
7	01016-51225	螺栓 M12×25	bolt M12×25	2
8	ZL50G2-09900	下铰接轴总成	lower joint pin asy	1
9	GB1152-79	油杯 M10×1	oil indicator M10×1	9
10	ZL50G2-09006	隔套	split sleeve	1
11	GB91-86	销 6.3×63	pin 6.3×63	1
12	ZL50G2-09008	开槽螺母 M48×3	crown nut M48×3	1
13	GB93-87	垫圈 48	washer 48	1
14	ZL50G2-09004	上铰接轴	upper joint pin asy	1
15	JB982-77	组合垫圈 10	washer 10	2
16	ZL50G2-09800	黄油管总成	lube tube asy	1
17	ZL5DG2-09003	铰接螺栓 M10×1	joint bolt M10×1	1
18	ZL5DG2-09011	挡板	snap board	1
19	ZL50G2-10009	油管	tube	1
20	ZL50G2-10600	副车架轴	oscillating frame pin	1
21	ZL5DG2-10008	油管	tube	1
22	ZL50G2-10006	垫片	spacer	6
23	GB889-86	螺母 M16	nut M16	8
24	ZL50F3-10100	车架体(2L50F-III)	rear frame body	1
25	ZL50G2-01005	发动机前支架(ZL50G-II)	front support, engine	2
	ZL50G2-01004	发动机前支座(ZL50F-III)	front support, engine	
26	GB5782-86	螺栓 M16×90	bolt M16×90	8
27	ZL50G2-01008	发动机后支架(ZL50G-II)	rear support, engine	8
27	ZL5DG2-01017	发动机后支重(ZL50F-III)	rear support, engine	2
28	ZL5DG2-01004	发动机减振垫	shock absorpted space, engine	4
29	ZL5DG2-10700	副车架轴	aseillating frame pin	1
30	01016-52040	螺栓 M20×40	bolt M20×40	4
31	01643-32060	垫圈 20	washer 20	4

第 904 图

摆动架总成

FIG.904 OSCILLATING FRAME ASSEMBLY



摆动架总成

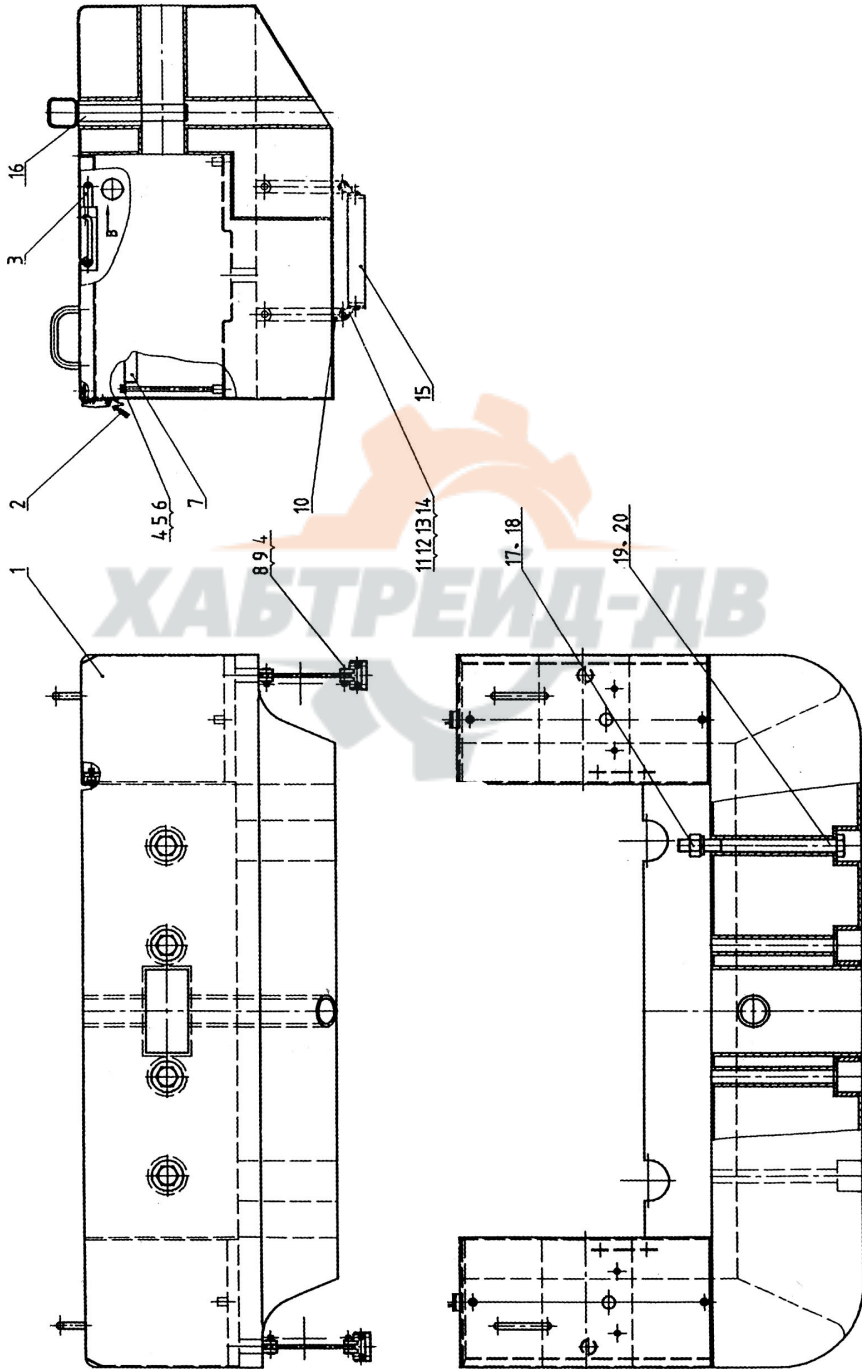
OSCILLATING FRAME ASSEMBLY

序号 Index No.	件 号 Part No.	名 称 Description	数量 Q'ty
904-1	GB889-86	螺母 M30 nut M30	16
2	GB5785-86	螺栓 M30×2×290 bolt M30×2×290	16
3	ZL50G2-10005	轴套 bush	2
4	ZL50G2-10400	副车架 oscillating	1



第 905 图 配重装置总成

FIG.905 COUNTER WEIGHT ASSEMBLY



配重装置总成

COUNTER WEIGHT ASSEMBLY

序号 Index No.	件 号 Part No.	名 称 Description	数量 Q'ty
905-1	ZL50G2-10001B-1	配重铁 counter weight	1
2		挂锁总成 lock staple	1
3		挂板 chain belt	1
4	ZL50G2-10203	螺栓 bolt	2
5	GB95-85	垫圈 10 washer 10	6
6	GB93-87	垫圈 10 washer 10	2
7	ZL50G2-10204	压盖总成 cover asy	1
8	ZL50G2-10208	销轴 pin	8
9	GB91-86	销 3×30 pin 3×30	8
10	ZL50G2-10205	挂板 chain belt	4
11	ZL50G2-10207	固定座 set seat	4
12	01010-50820	螺栓 M8×20 bolt M8×20	8
13	01643-30823	垫圈 8 washer 8	8
14	GB6170-86	螺母 M8 nut M8	8
15	ZL50G2-10206	脚蹬 pedal	2
16	ZL50G2-10002	销轴 pin	1
17	GB6170-86	螺母 M30 nut M30	4
18	GB93-87	垫圈 30 washer 30	4
19	GB5782-86	螺栓 M30×330 bolt M30×330	4
20	ZL50G2-10010	垫圈 washer	4



驾驶室及地板

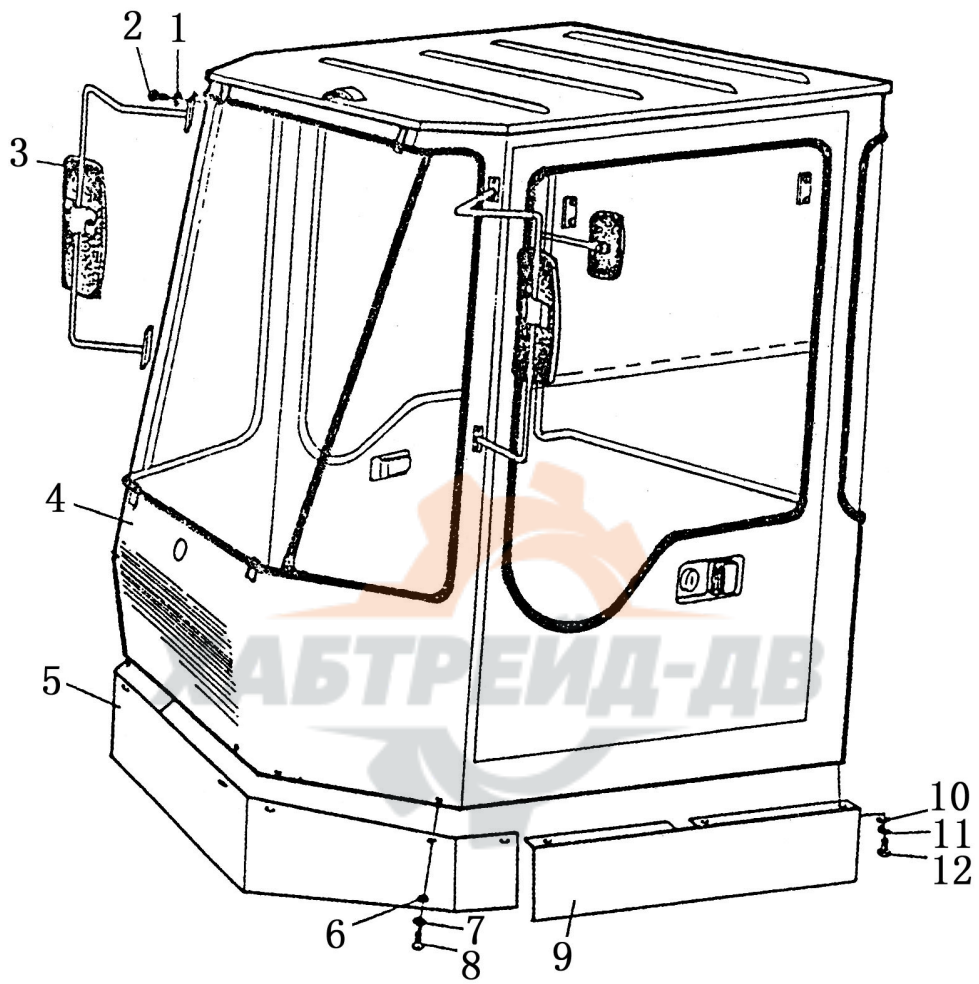
CAB AND FLOOR





第 1001 图 驾驶室总成

FIG.1001 CAB ASSEMBLY



驾驶室总成

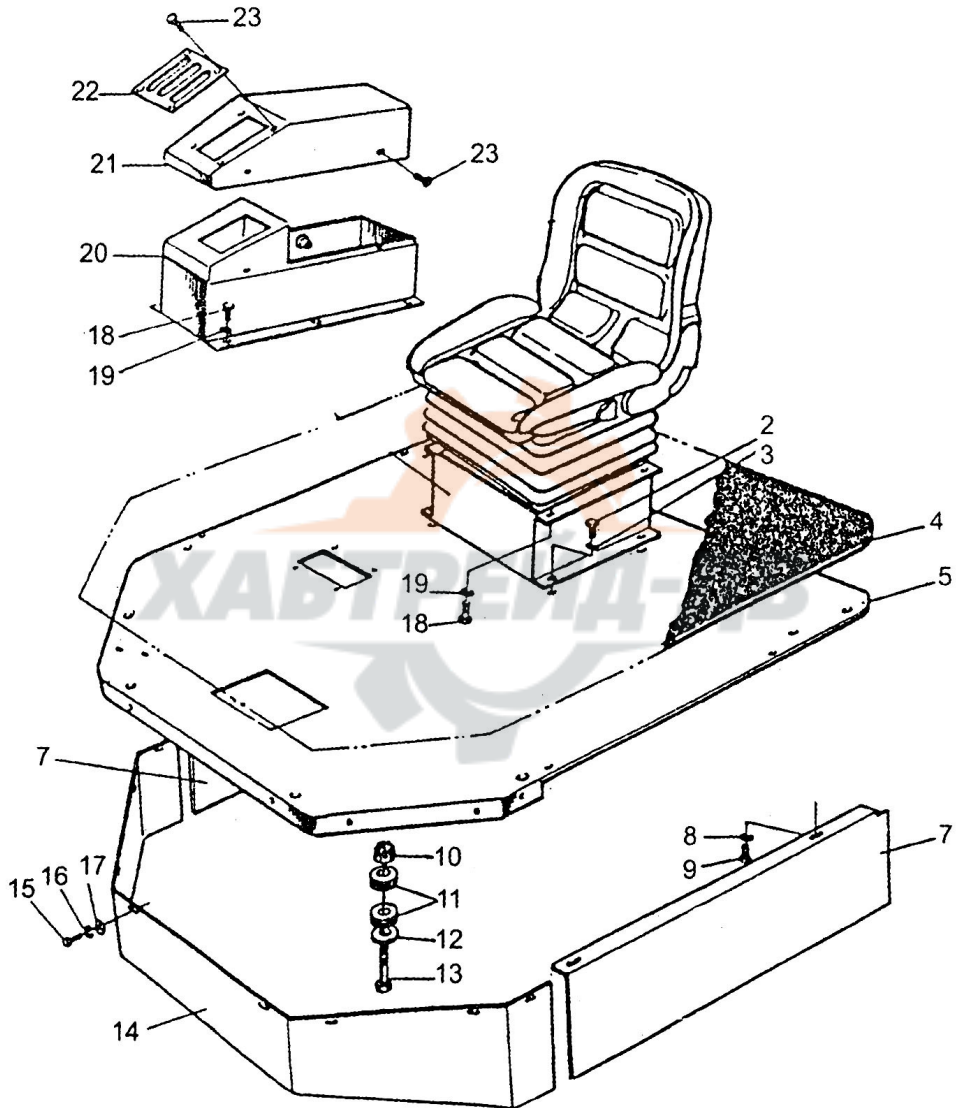
CAB ASSEMBLY

序号 Index No.	件 号 Part No.	名 称 Description	数量 Q'ty
1001-1	GB93-87	垫圈 10 washer 10	4
2	GB5783-86	螺栓 M10×20 bolt M10×20	4
3		倒车镜组件 reverse mirror module	2
4	ZL50G2-14000	驾驶室 cab	1
5	ZL50G2-13204	挡板 apron	1
6	GB95-85	垫圈 6 washer 6	8
7	GB93-87	垫圈 6 washer 6	8
8	GB67-85	螺钉 M6×12 bolt M6×12	8
9	ZL50G2-13207	挡板 apron	2
10	GB95-85	垫圈 8 washer 8	4
11	GB93-87	垫圈 8 washer 8	4
12	GB5781-86	螺栓 M8×10 bolt M8×10	4



第 1002 图 地板总成（先导）

FIG.1002 FLOOR ASSEMBLY (PILOT) (SL50W-2)



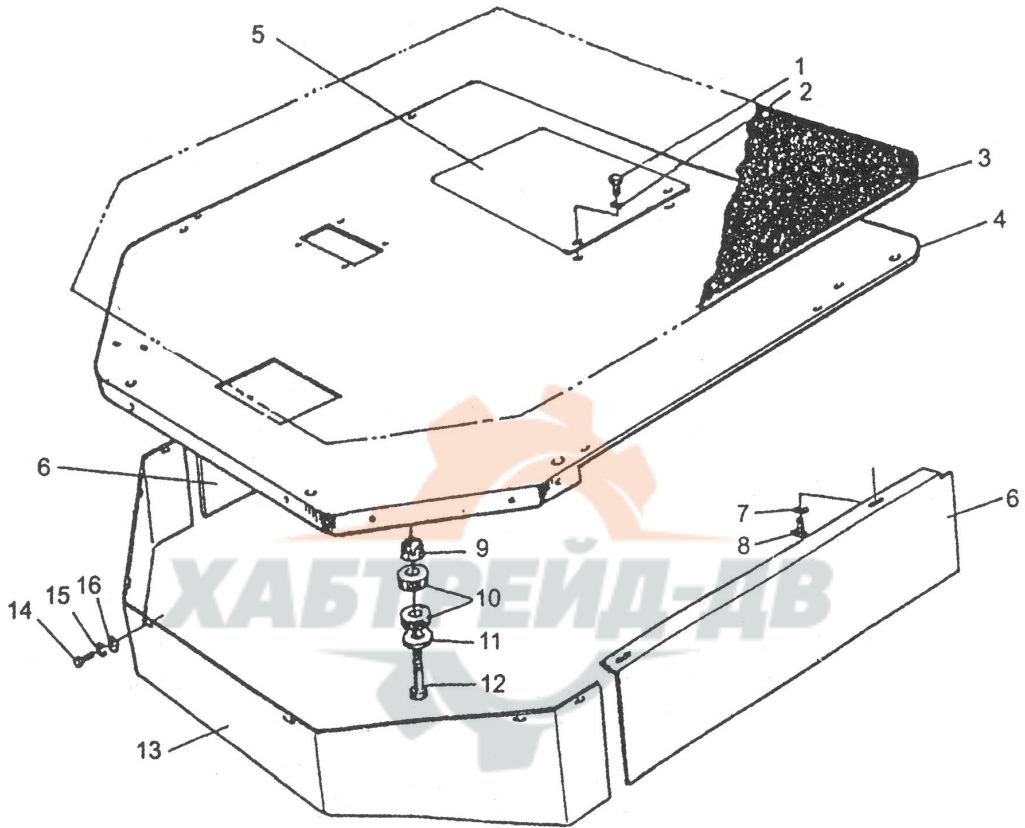
地板总成（先导）

FLOOR ASSEMBLY (PILOT) (SL50W-2)

序号 Index No.	件号 Part No.	名称 Description		数量 Q'ty
1002-2	GB5783-86	螺栓 M10×20	bolt M10×20	4
3	GB93-87	弹簧垫圈 10	washer 10	4
4	ZL50F III-13003 (ZL50F-III)	地板	floor	1
5	ZL50G3-13201 (ZL50F-III)	台座	console	1
7	ZL50G2-13207	挡板	apron	2
8	GB95-85	平垫圈 8	washer 8	4
9	GB5781-86	螺栓 M8×10	bolt M8×10	4
10	GB889-86	螺母 M20	nut M20	4
11	ZL50G2-13002	橡胶垫	rubber spacer	8
12	ZL50G2-13001	垫	spacer	4
13	GB5782-86	螺栓 M20×100	bolt M20×100	4
14	ZL50G2-13204	挡板	apron	1
15	GB67-85	螺钉 M6×12	bolt M6×12	8
16	GB95-85	垫圈 6	washer 6	8
17	GB93-87	弹簧垫圈 6	spring washer 6	14
18	GB5783-86	螺栓 M8×20	bolt M8×20	6
19	GB93-87	垫圈 8	washer 8	6
20	ZL50G2-13203	先导阀支架	PPC valve frame	1
21	ZL50G2-06008	上盖	cover	1
22	ZL50G2-06006	盖板	cover plate	1
23	GB5781-86	螺栓 M6×12	bolt M6×12	6

第 1003 图 地板总成

FIG.1003 FLOOR ASSEMBLY



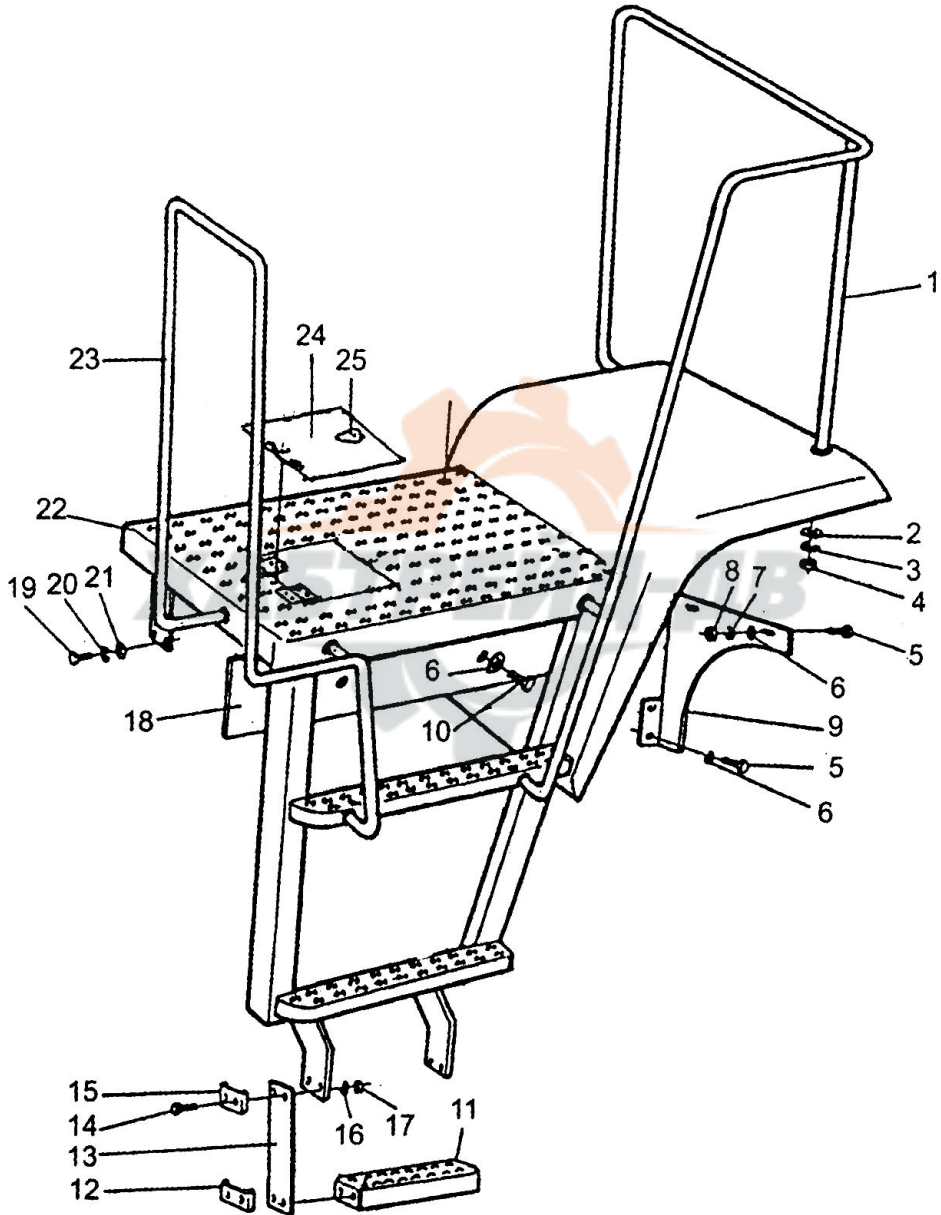
地板总成

FLOOR ASSEMBLY

序号 Index No.	件 号 Part No.	名 称 Description		数量 Q'ty
1003-1	GB5781-86	螺栓 M8×16	bolt M8×16	4
2	GB93-87	弹簧垫圈 8	washer 8	4
3	DG956W-13003	地板	floor	1
4	DG956W-13201	台座	console	1
5	DG956-13205	盖	cover	1
6	ZL50G2-13207	挡板	apron	2
7	GB95-87	平垫圈 8	washer 8	4
8	GB5781-86	螺栓 M8×10	bolt M8×10	4
9	GB889-86	螺母 M20	nut 20	4
10	ZL50G2-13002	橡胶垫	rubber spacer	8
11	ZL50G2-13001	垫	spacer	4
12	GB5782-86	螺栓 M20×100	bolt M20×100	4
13	ZL50G2-13204	挡板	apron	1
14	GB5787-86	螺钉 M8×16	bolt M8×16	22
15	GB95-85	垫圈 6	washer 6	8
16	GB93-87	弹簧垫圈 6	spring washer 6	8

第 1004 图 侧地板总成

FIG.1004 SIDE FLOOR ASSEMBLY



侧地板总成

SIDE FLOOR ASSEMBLY

序号 Index No.	件 号 Part No.	名 称 Description	数量 Q'ty	
1004-1	ZL50G2-13502	后扶手	rear handrail	1
2	GB96-85	垫圈 16	washer 16	7
3	GB93-87	垫圈 16	washer 16	7
4	GB6170-86	螺母 M16	nut M16	7
5	GB5783-86	螺栓 M12×40	bolt M12×40	4
6	GB96-85	垫圈 12	washer 12	8
7	GB93-87	垫圈 12	washer 12	6
8	GB6170-86	螺母 M 12	nut M12	4
9	ZL50G2-13527	支座	support seat	1
10	GB5783-86	螺栓 M12×25	bolt M12×25	2
11	ZL50G2-13510	踏板	step	1
12	ZL50G2-135 11	固定压板	clamping plate	2
13	ZL50G2-13509	拉带	chain belt	4
14	GB5783-86	螺栓 M8×35	bolt M8×35	8
15	ZL50G2-13508	固定压板	clamping plate	2
16	GB93-87	垫圈 8	washer 8	8
17	GB6170-86	螺母 M8	nut M8	8
18	ZL50G2-06210	挡板	apron	1
19	GB5783-86	螺栓 M10×25	bolt M10×25	2
20	GB93-87	垫圈 10	washer 10	2
21	GB96-85	垫圈 10	washer 10	2
22	ZL50G2-13516	侧地板	Side floor	1
23	ZL50G2-13501	前扶手	front handrail	1
24	ZL50G2-13519	盖	cover	1
25	ZL50G2-13520	扳手	spanner	1



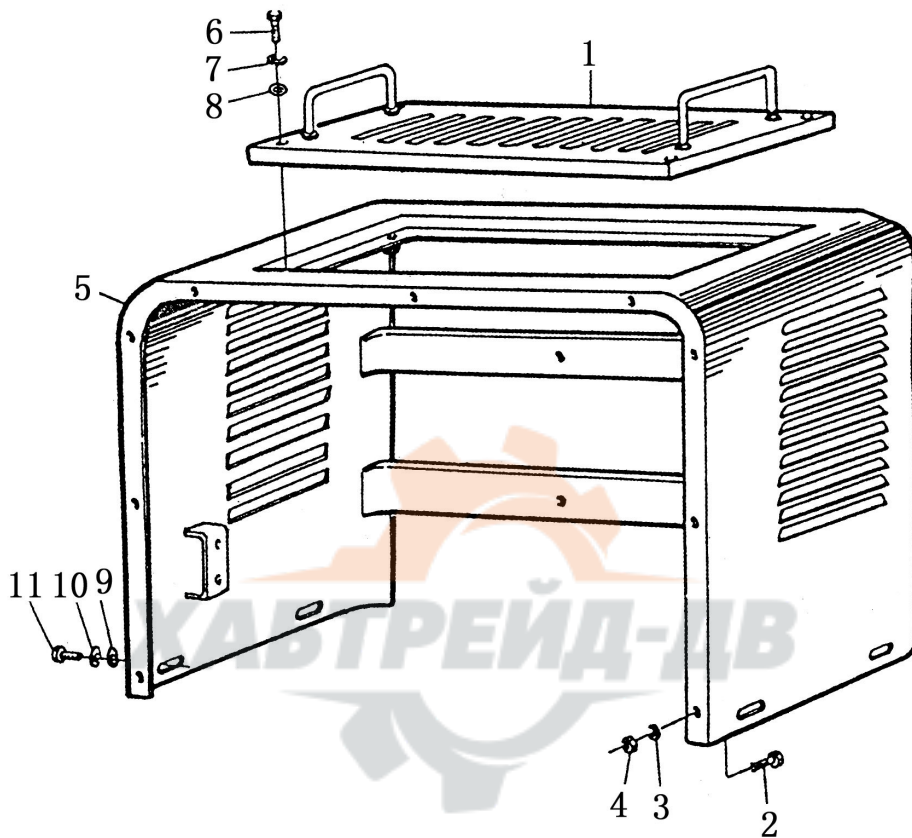
发 动 机 罩

ENGINEHOOD



第 1101 图 前罩

FIG.1101 FRONT HOOD



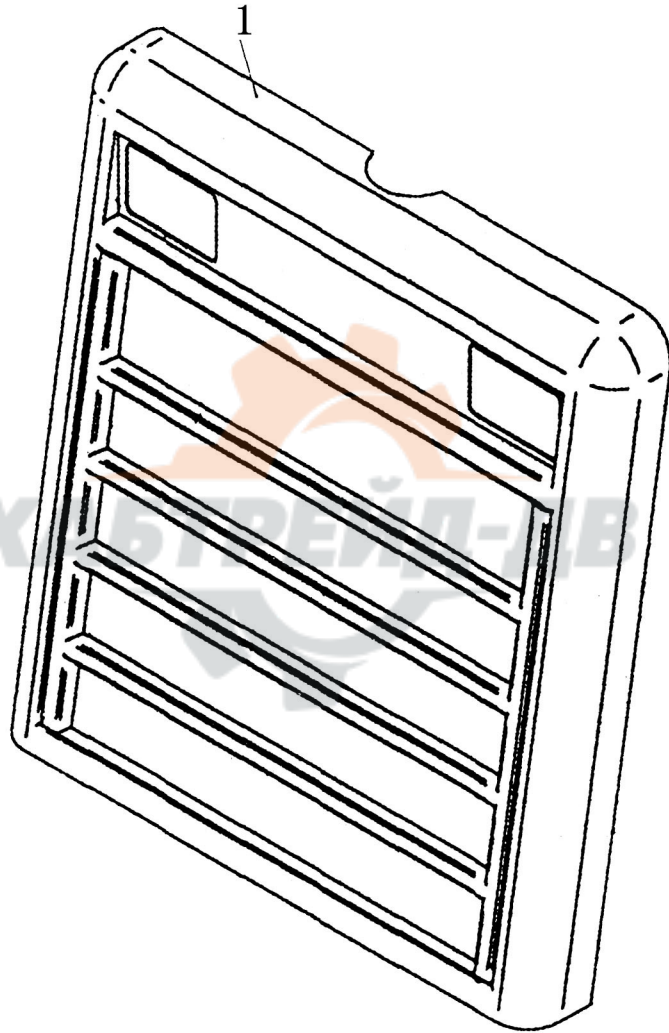
前 罩

FRONT HOOD

序号 Index No.	件 号 Part No.	名 称 Description		数量 Q'ty
1101-1	ZL50G2-13401-11	盖板	cover plate	1
2	GB5782-86	螺栓 M10×30	bolt M10×30	9
3	GB93-87	垫圈 10	washer 10	9
4	GB6170-86	螺母 M10	nut M10	9
5	ZL50G2-13401	前罩	front hood	1
6	GB5781-86	螺栓 M12×25	bolt M12×25	4
7	GB93-87	垫圈 12	washer 12	4
8	GB95-85	垫圈 12	washer 12	4
9	GB93-87	垫圈 16	washer 16	4
10	GB95-85	垫圈 16	washer 16	4
11	GB5783-86	螺栓 M16×35	bolt M16×35	4




第 1102 图 后罩
FIG.1102 REAR HOOD



后 罩

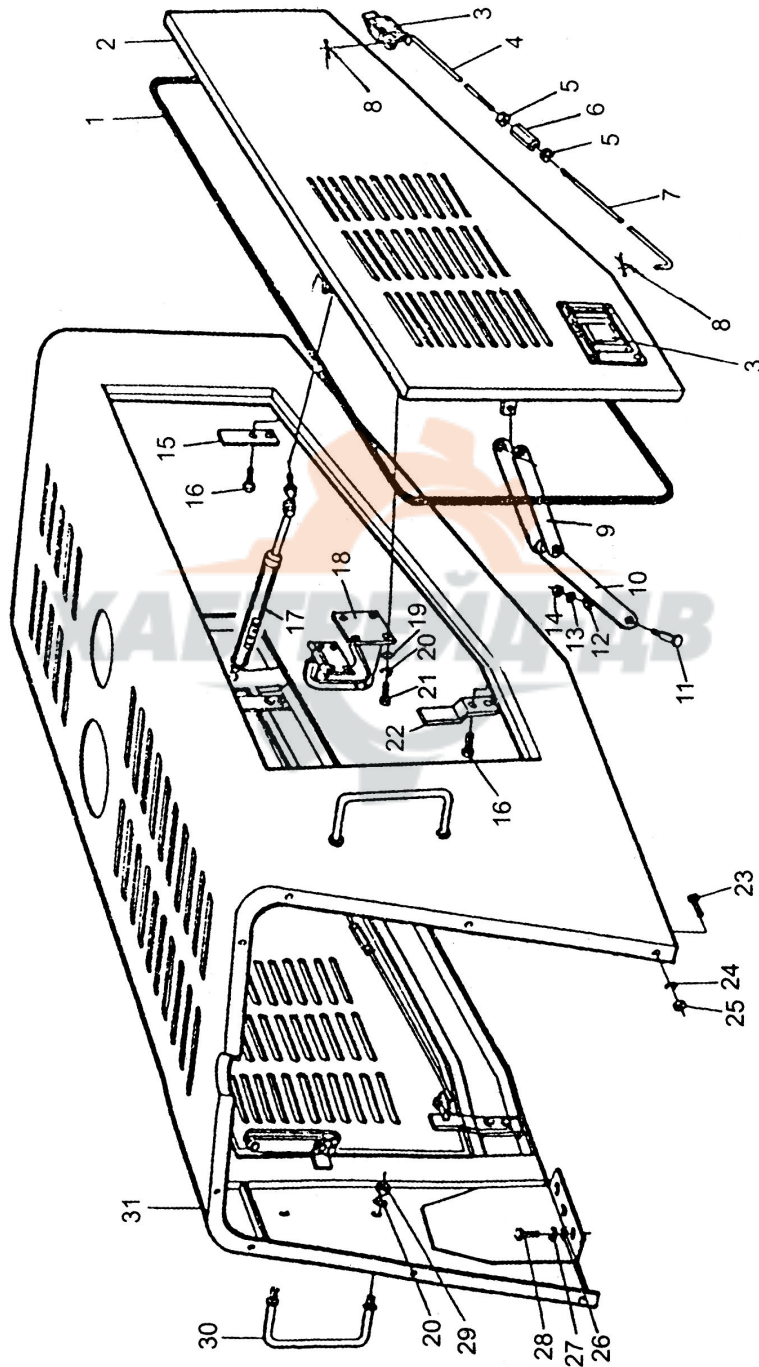
REAR HOOD

序号 Index No.	件 号 Part No.	名 称 Description	数量 Q'ty
1102-1	ZL50G2-13405	后罩 rear hood	1



第 1103 图 发动机罩主体

FIG.1103 ENGINE HOOD ASSEMBLY



发动机罩主体

ENGINE HOOD ASSEMBLY

序号 Index No.	件 号 Part No.	名 称 Description		数量 Q'ty
1103-1	ZL50G2-13408	门密封条	sealing strip	1
2	ZL50G2-13403	侧门	side cover	
3	ZL50G2-13403-5	NBS504 型机罩锁	side lock	
4	ZL50G2-13403-4-1	圆钢	round steel	
5	GB6170-86	螺母 M6	nut M6	
6	ZL50G2-13403-4-3	丝套	sleeve	
7	ZL50G2-13403-4-2	圆钢	round steel	
8	GB91-86	外口销 $\Phi 2$	split pin $\Phi 2$	
9	ZL50G2-13407-3	板	board	
10	ZL5aG2-13407-1	板	board	
11	ZL50G2-13414	螺柱	bolt	
12	GB95-85	垫圈 8	washer 8	
13	GB6170-86	螺母 M8	nut M8	
14	GB93-87	垫圈 8	washer 8	
15	ZL50G2-13402-11	挡板	apron	
16	GB5783-86	螺栓 M12 \times 25	bolt M12 \times 25	
17	ZL50G2-13410	气弹簧	pneumatic spring	
18	ZL50G2-13406	铰链	hinge	
19	GB95-85	垫圈 12	washer 12	
20	GB93-87	垫圈 12	washer 12	
21	GB5783-86	螺栓 M12 \times 30	bolt M12 \times 30	
22	ZL50G2-13402-12	挡板	apron	
23	GB5783-86	螺栓 M10 \times 30	bolt M10 \times 30	
24	GB93-87	垫圈 10	washer 10	
25	GB6170-86	螺母 M10	nut M10	8
26	GB96-85	垫圈 16	washer 16	6
27	GB93-87	垫圈 16	washer 16	6
28	GB5783-86	螺栓 M16 \times 35	bolt M16 \times 35	6
29	GB6170-86	螺母 M12	nut M12	4
30	ZL50G2-13404	扶手	hand rail	2
31	ZL50G2-13402	中罩	mid-hood	1



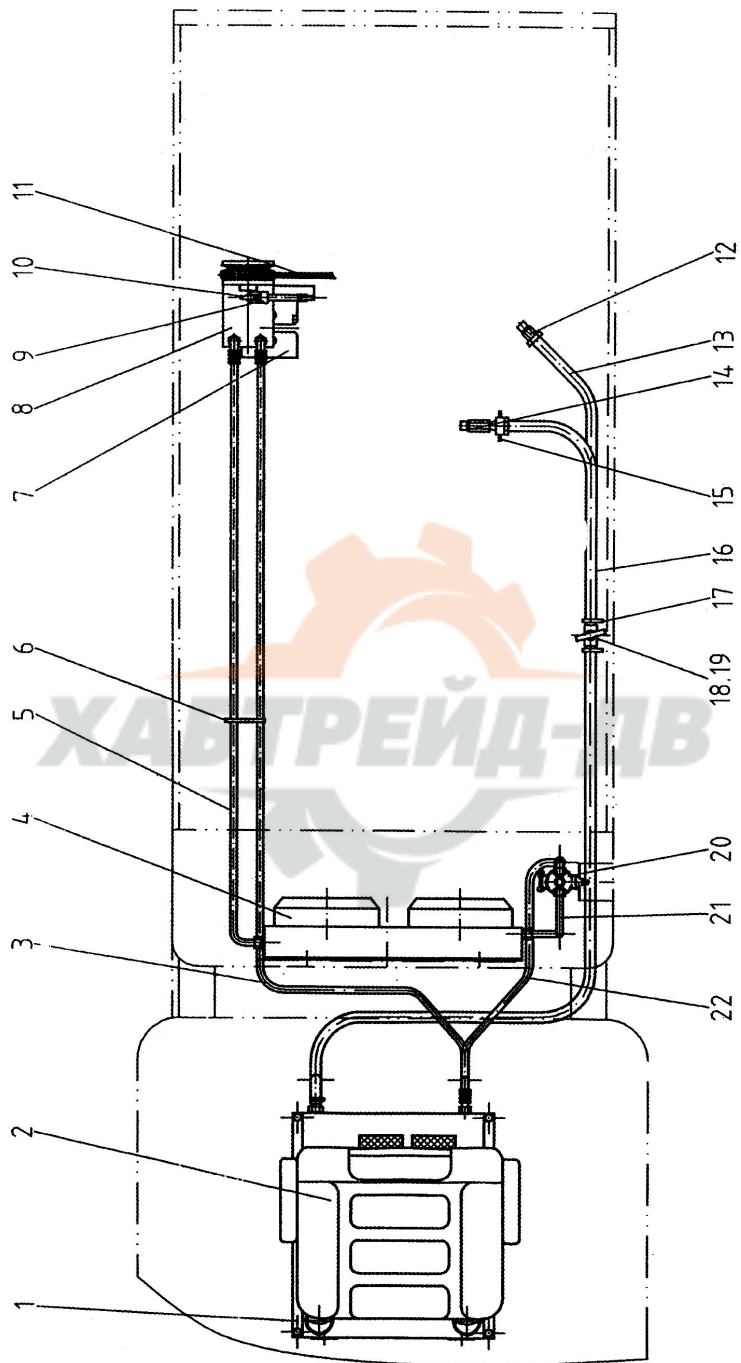
操 纵 台 及 电 器 仪 表

CONTROL PANNEL AND ELECTRIC INSTRUMENT



第 1201 图 空调系统

FIG.1201 AIR CONDITIONER SYSTEM



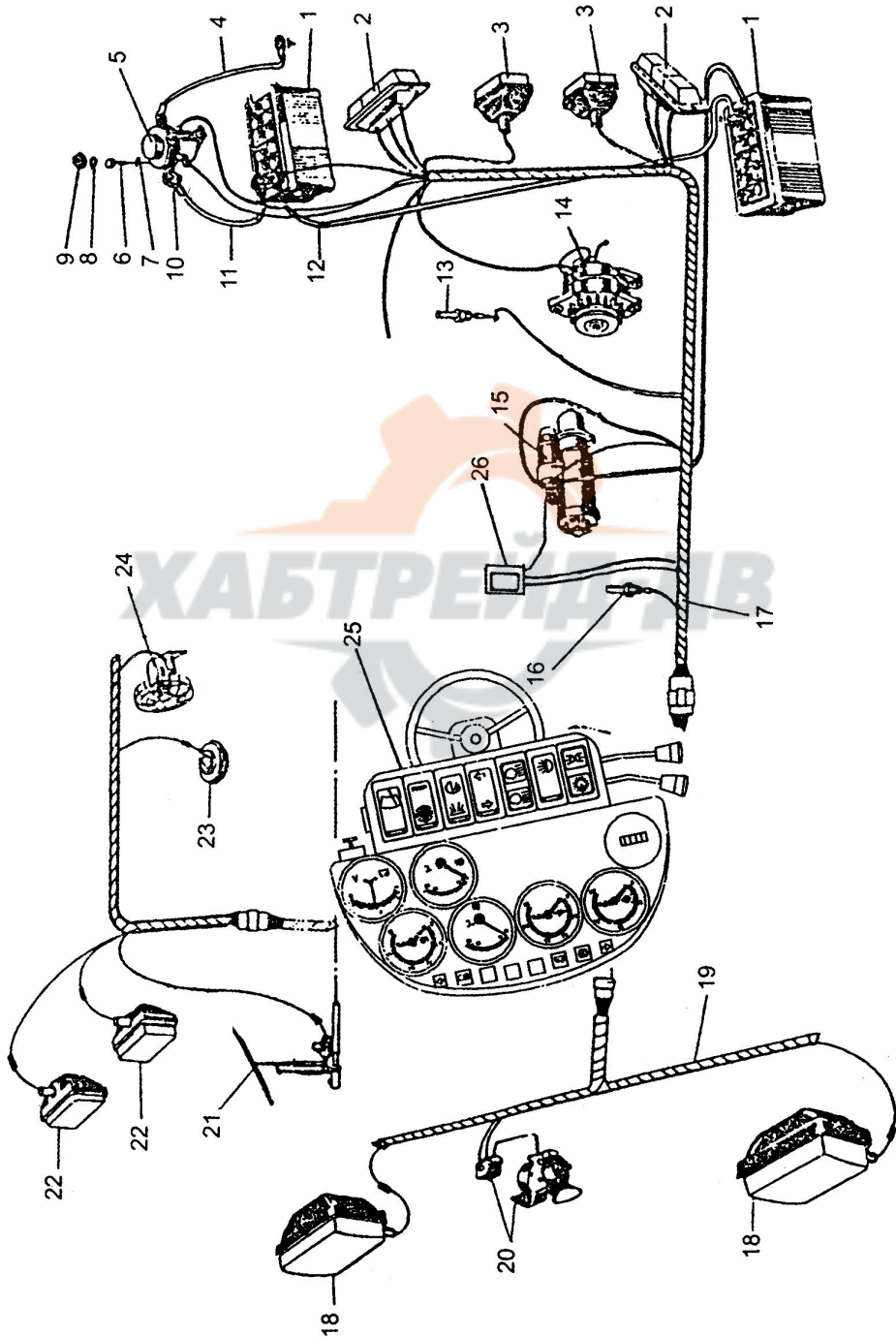
空调系统

AIR CONDITIONER SYSTEM

序号 Index No.	件 号 Part No.	名 称 Description	数量 Q'ty
1201-1		蒸发器 evaporator	1
2	ZYIA22	座椅 seat	1
3	DG956-17006	蒸发器至压缩机胶管 tube between evaporator & compressor	1
4		冷凝器 condenser	1
5	DG956-17009	压缩机至冷凝器胶管 tube between compressor & condenser	1
6	ZD200×8	扎带 clip	4
7	DG956-17005	压缩机支架 compressor frame	1
8		压缩机 compressor	1
9		固定板 set plate	1
10		调整杆 adjusting rod	1
11	17-530	三角带 belt	1
12	DG956-17004	过渡接头 transition tie-in	1
13	DG956-17002	出水管 exit pipe	1
14	DG956-17003	接头 tie-in	1
15		进水阀门 valve	1
16		进水管 inlet pipe	1
17	DG956-17011	环箍 hoop	6
18		放水接头 tie-in	1
19		放水开关 switch	1
20		干燥储液器 receiver	1
21	DG956-17008	冷凝器至干燥储液器胶管 tube between condenser & receiver	1
22	DG956-17007	干燥储液器至蒸发器胶管 tube between receiver & evaporator	1

第 1202 图 电气系统

FIG.1202 ELECTRIC SYSTEM



电气系统

ELECTRIC SYSTEM

序号 Index No.	件 号 Part No.	名 称 Description	数量 Q'ty
1202-1	N200S	蓄电池总成 accumulator asy	2
2	32B0055	三色后灯 rear combined lamp	2
3	175×110	方形后大灯 rear lamp	2
4	ZL50G2-15012	搭铁线 wire tapping steel	1
5	37D52-16010	电磁式电源总开关 electromagnetic power switch	1
6	GB5781-86	螺栓 M10×25 bolt M10×25	12
7	GB93-87	垫圈 10 washer 10	16
8	GB95-86	垫圈 10 washer 10	14
9	GB6170-86	螺母 M0 nut M10	10
10	ZL50G2-15016	绝缘套 2 insulative sleeve	2
11	ZL50G2-15011	电瓶搭铁线 battery wire	1
12	ZL50G2-15010	电瓶连接线 battery wire	1
13		水温传感器 sensor for coolant temperature	1
14		发电机总成 generator asy	1
15		起动机总成 stator asy	1
16		变速箱油温传感器 sensor for oil level of transmission	1
17	ZL50G2-15004	后线束 rear wire batch	1
18		HG 组合式前大灯 HG front combined lamp	2
19	ZL50G2-15006	前线束 front wire batch	1
20	DL52B	双音盆形电喇叭 horn	1
21	ZD2530 24V	刮水器 scraper	1
22		HG 卡特工作灯 HG CAT working lamp	2
23	Z-216	长型顶灯总成 24V ceiling lamp	1
24	10" 24V	风扇 fan	1
25		整体式仪表台 dashboard	1
26	JN3A 24V	启动继电器 start relay	1